

ALFA SPIDER
GT BERTONE
GIULIA



Del Priore

Zum Roden 5
D- 31275 Aligse

www.del-priore.com
info@del-priore.com

Tel. 0049 - 5132 - 82 50 60

ORIGINAL

English

AUSSERDEM IM PROGRAMM
LITERATUR & ERSATZTEILE FÜR

GIULIETTA/GIULIA
BERTONE/ALFETTA
SPIDER 1955-1994
SPIDER/GTV-2004
FIAT 1930-2000
LANCIA 1930-1984
FERRARI 330/275/400
FERRARI TESTAROSSA

01.01.2023

Del Priore for you!

Del Priore

Del Priore offers spare parts for Italian classic cars since 1979. In our warehouse in Aligse/Lehrte near Hanover/Germany we constantly try to stock as many parts as possible which you can find in our online Shop and catalogues.

The range includes genuine parts and reproduction often produced by Italian suppliers that used to supply to the production lines of Alfa Romeo. These crucial relationships to those manufacturers is what stands out and is the passion of the family owned business Del Priore

Your classic car deserves the best parts available.

The office is at your disposal from Monday until Thursday from 8.00 to 17.00 h MEZ and on Friday from 8.00 to 16.00 h.

If you can't find a part that your're searching for in our online shop or catalogues or in case of any technical questions please do not hesitate to call us or send an email to info@del-priore.com. We speak German, Italian, English and French.

For updated prices, technical information concerning parts as well as for orders please use our online shop

www.del-priore.com

Please note that for all online orders you will receive an offer including information on availability and shipping costs before the final confirmation of the order.

Please note that the prices quoted include German VAT (19%). The final prices, however, are always calculated according to the country in question.

**Enjoy a visit to
TECHNO CLASSICA ESSEN
AUTO e MOTO d'EPOCA PADOVA
AUTOCLASSICA MILANO**

Your Client number:

	page
1.) <u>accessories</u>	
luggage rack, car cover, wind deflector	3
gear shift lever, burl wood	4
steering wheels	5
model cars	6
2.) <u>lighting</u>	7- 10
3.) <u>electric</u>	
electric, ignition	11- 13
heating	14
wiper system	15 - 16
switch etc.	17
4.) <u>body panels</u>	
front	18- 23
floor, sillboard	24
rear	25 + 27- 29
doors + pillars	26
engine bonnet, boot	30- 31
5.) <u>bumper</u>	32- 34
6.) <u>wind screen, sun visor</u>	35
7.) <u>top</u>	
top, tarpaulin	36 - 38
Hardtop	36 + 39
8.) <u>interior equipment</u>	
locking + door attachments parts	40-45
instrument panel, gear shift etc.	46-49
seats + attachments parts	50-52
carpet, rubber mat	53-55
9.) <u>engine parts</u>	
pistons, connecting rod, cylinder, valves	56-60
oil supply	61
engine gasket, oil seals	62
carburettor, ignition air filter, fuel filter etc.	63-66
tank	67
cooling system	68-69
exhaust	70-71
clutch, transmission	72-74
10.) <u>axles</u>	
front axle	75-78
cardan shaft.....	79
rear axle	80-82
11.) <u>brake system</u>	83-86
12.) <u>miscellaneous Chrom; Sport</u>	
wheel and hubcap	87
mirror, radiator grill, chrome parts	88
chrome parts, miscellaneous	89
emblem, writing	90-91
lighter, ashtray, key fob	92-93
Tuning and race accessory.....	94-95



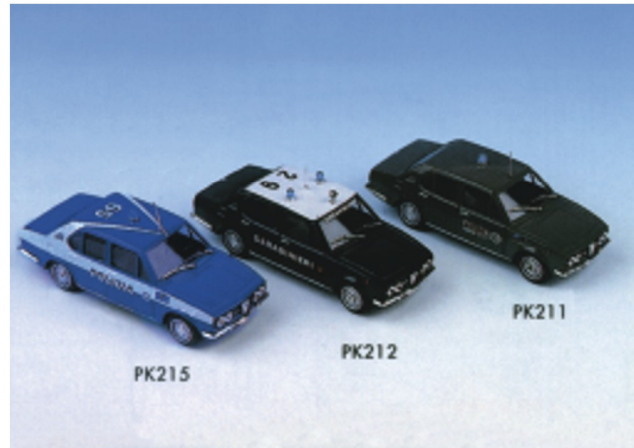
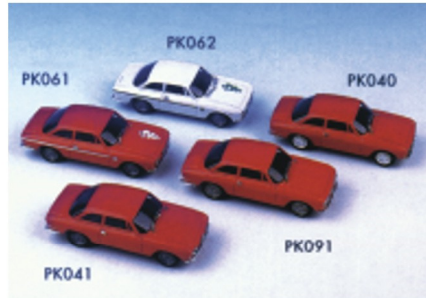
<u>Abb.</u>	<u>Item-nr.</u>	<u>Description</u>	<u>Year</u>	<u>Price</u> €
4	23-4	red car cover, including handle bag, Spider, Bertone	63-94	60,--
4A	23-4A	red car cover, including handle bag, Giulia	63-78	60,--
4B	23-4B	blue car cover including handle bag, Spider	63-94	60,--
5	23-5	car cover, weatherproof	66-94	129,--
6	23-6	car cover Spider, GTV	since 94	60,--
7	23-7	wind deflector, standard net, stow able with TÜV	66-94	157,--
7B	23-7B	wind deflector, standard net, stow able	95-04	199,--
9	23-9	original Alfa jump suit		72,--
10	23-10	baseball cap with Alfa emblem		12,--
11	23-11	Alfa Romeo emblem to stitch on car protection cover, Ø 29cm	coloured	27,--
12	23-12	black polo shirt with Alfa emblem (100 % cotton)	M/ L/ XL	25,--
12A	23-12A	red polo shirt with Alfa emblem (100 % cotton)	M/ L/ XL	25,--



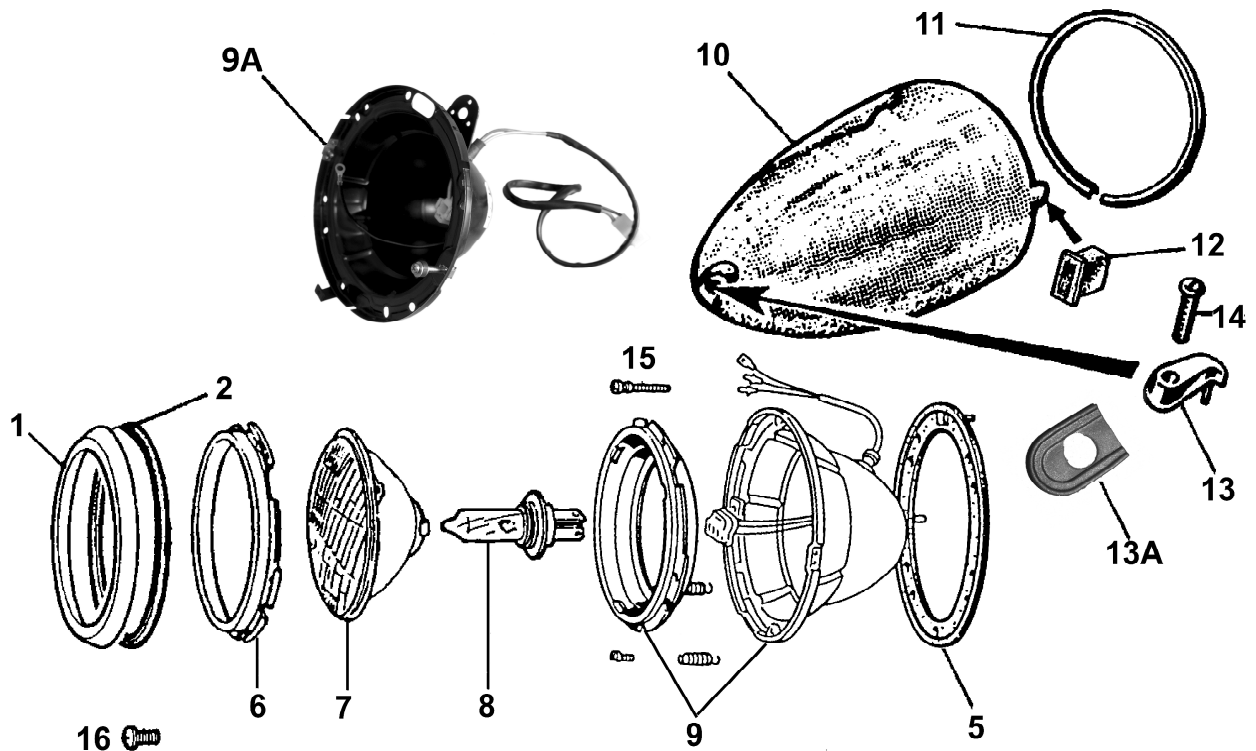
<u>Abb.</u>	<u>item-nr.</u>	<u>Description</u>	<u>Year</u>	<u>Price</u> €
1	24-1	gear shift lever, wood with enamelled Alfa emblem	63-94	58,--
1A	24-1A	gear shift lever, mahogany, no emblem	63-94	43,--
1B	24-1B	gear shift lever, burl wood, with Pininfarina emblem, enamel.	63-94	65,--
1C	24-1C	gear shift lever, plastic black, orig. Alfa	63-94	37,--
1D	24-1D	gear shift lever, plastic black, orig. Alfa with shift-pattern	63-49	49,--
1E	24-1E	gear shift lever, long, mahogany	70-94	48,--
1F	24-1F	gear shift lever, long, burl wood/ leather	70-94	65,--
2	24-2	gear shift lever plastic black for automatic gearbox	87-94	55,--
4	24-4	gear shift lever, mahogany with enamelled Alfa emblem	63-94	55,--
4A	24-4A	gear shift lever, mahogany with Pininfarina emblem	63-94	55,--
5	24-5	gear shift lever, black, Spider	87-94	118,--
6	24-6	handbrake lever, mahogany	63-94	65,--
7	24-7	handbrake lever plastic black	83-94	38,--
7A	24-7A	handbrake lever plastic black	63-83	29,--
8	24-8	handbrake lever plastic beige	87-94	50,--
13	24-13	set of burl wood for controls and instruments, 4-piece	87-94	216,--
13A	24-13A	set (4 pieces) for dashboard, of reddish burl wood	87-94	216,--



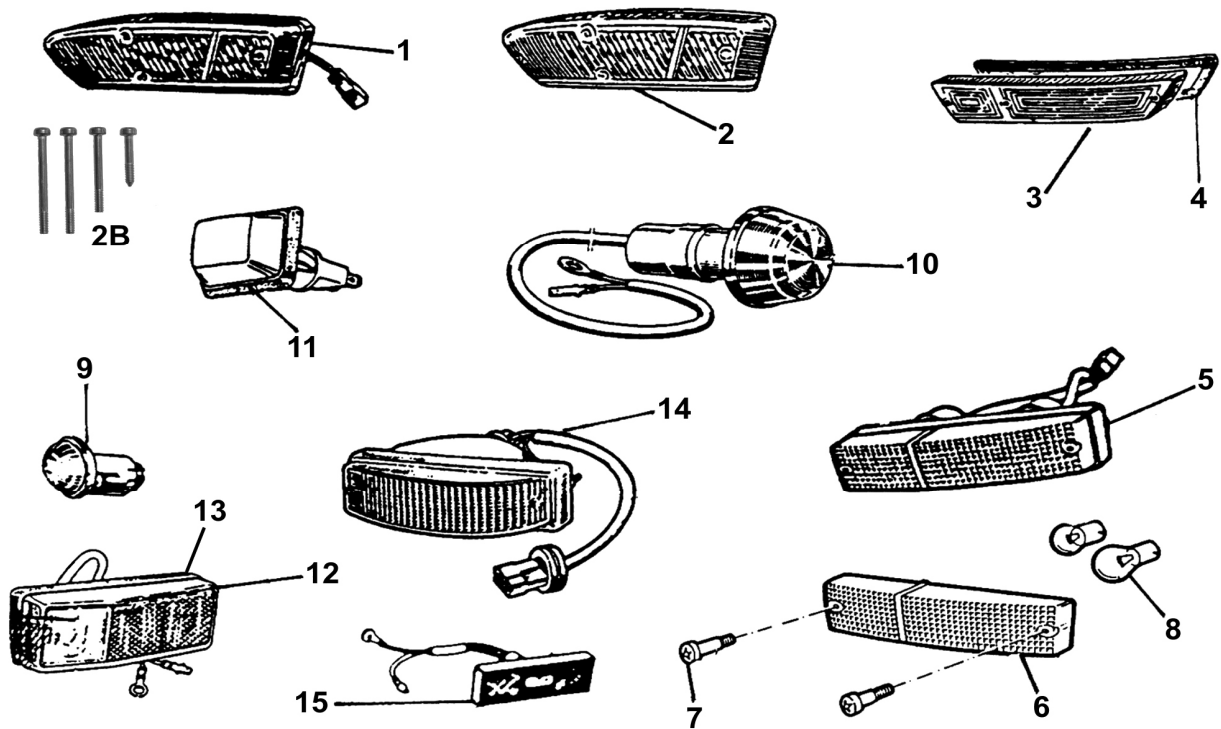
<u>Abb.</u>	<u>item-nr.</u>	<u>Description</u>	<u>Year</u>	<u>Price</u> €
1	25-1	steering wheel, with hub, black, original Alfa	87-89	295,--
2	25-2	wooden steering wheel, Nardi classico, Ø 36	63-94	439,--
2A1	25-2A1	wooden steering wheel, Nardi classico, Ø 39	63-94	439,--
2A	25-2A	wooden steering wheel, Nardi classico similar 36,5 Ø	63-94	195,--
2C	25-2C	wooden steering wheel, Nardi classico, Ø 36 / 39 without TÜV	63-94	460,--
3	25-3	wooden steering wheel, Hellebore Style without horn button	66-72	369,--
3A	25-3A	wooden steering wheel, orig. Alfa without horn button, deep version, Spider. Bertone	72-86	369,--
3B	25-3B	Fixation rivet for steering wheel/ hub	67-86	4,50
4	25-4	wooden steering wheel with hub and horn button, GTA	67-72	550,--
7	25-7	wooden steering wheel with chrome spokes, Ø 36 cm	63-94	195,--
8	25-8	hub for Nardi steering wheel with Tüv	90-94	140,--
8A	25-8A	hub without Tüv Spider	90-94	109,--
8B	25-8B	hub, 85 mm Ø horn button	63-73	65,--
8C	25-8C	hub, 53 or 57 mm Ø horn button (deep version)	70-86	65,--
8D	25-8D	hub with contact ring Spider without TÜV	86-89	65,--
10	25-10	spacer, 1 cm high, more space for knees for wooden st. wheel	63-94	25,--
11	25-11	horn button with Alfa-Romeo emblem, enamelled metal	63-94	35,--
11A	25-11A	horn button with Alfa emblem, enamel. metal, for Nardi classico	63-94	55,--
13	25-13	horn button with Nardi emblem	63-94	98,--
14	25-14	hub cover with alfa emblem Ø 40	70-86	77,--
14A	25-14A	enamelled Alfa emblem 40 mm Ø for horn button	66-86	16,50
14B	25-14B	horn button, wood with Alfa-Romeo emblem, for pos.25-3	67-73	85,--
14C	25-14C	Alfa Romeo emblem gold coloured 40 mm Ø, f. horn button	66-86	13,50
14D	25-14D	Alfa Romeo emblem silver coloured 40 mm Ø, for horn button	66-86	13,50
14E	25-14E	Hub cover	66-72	79,--
15	25-15	set of 3 synthetic inlays f. steering wheel spokes, 53 mm f. pos. 3 Hellebore	70-86	14,--
15A	25-15A	set of 3 synthetic inlays f. steering wheel spokes, 57 mm f. pos. 3A	70-86	16,--
16	25-16	external chrome cover ring f. steering wheel center, Pos. 4,5,6,7		30,--



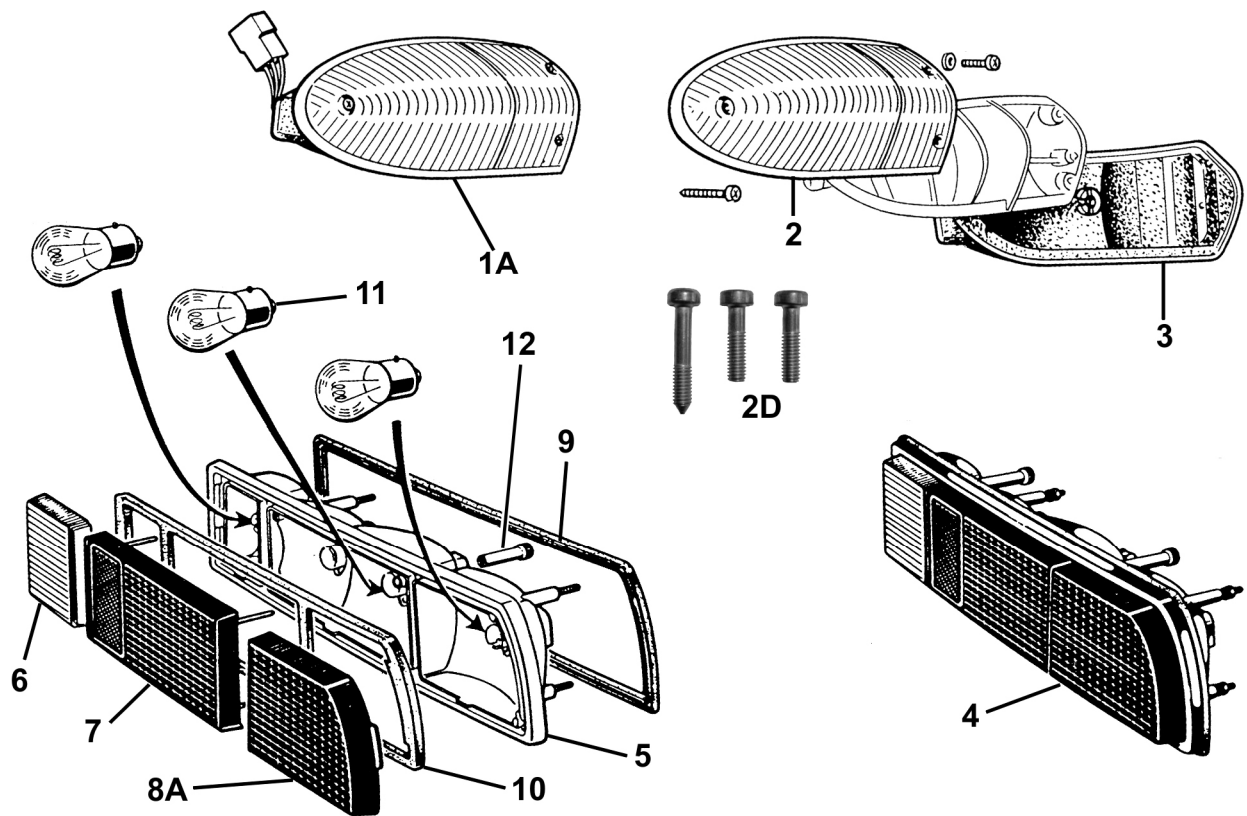
<u>Abb.</u>	<u>item-nr.</u>	<u>Description</u>	<u>Year</u>	<u>Price</u> €
1	26-1	model car, round rear end, red Spider 1:43		29,--
2	26-2	model car, Fastback Spider 1:43		35,--
3	26-3	model car 1:18, red	90-94	95,--
3A	26-3A	model car 1:18, black	90-94	85,--
3B	26-3B	model car 1:18, white	90-94	95,--
4	26-4	model car, Spider 1:43		29,--
5	26-5	model car Giulia, GT, GTA, indicate number		23,--



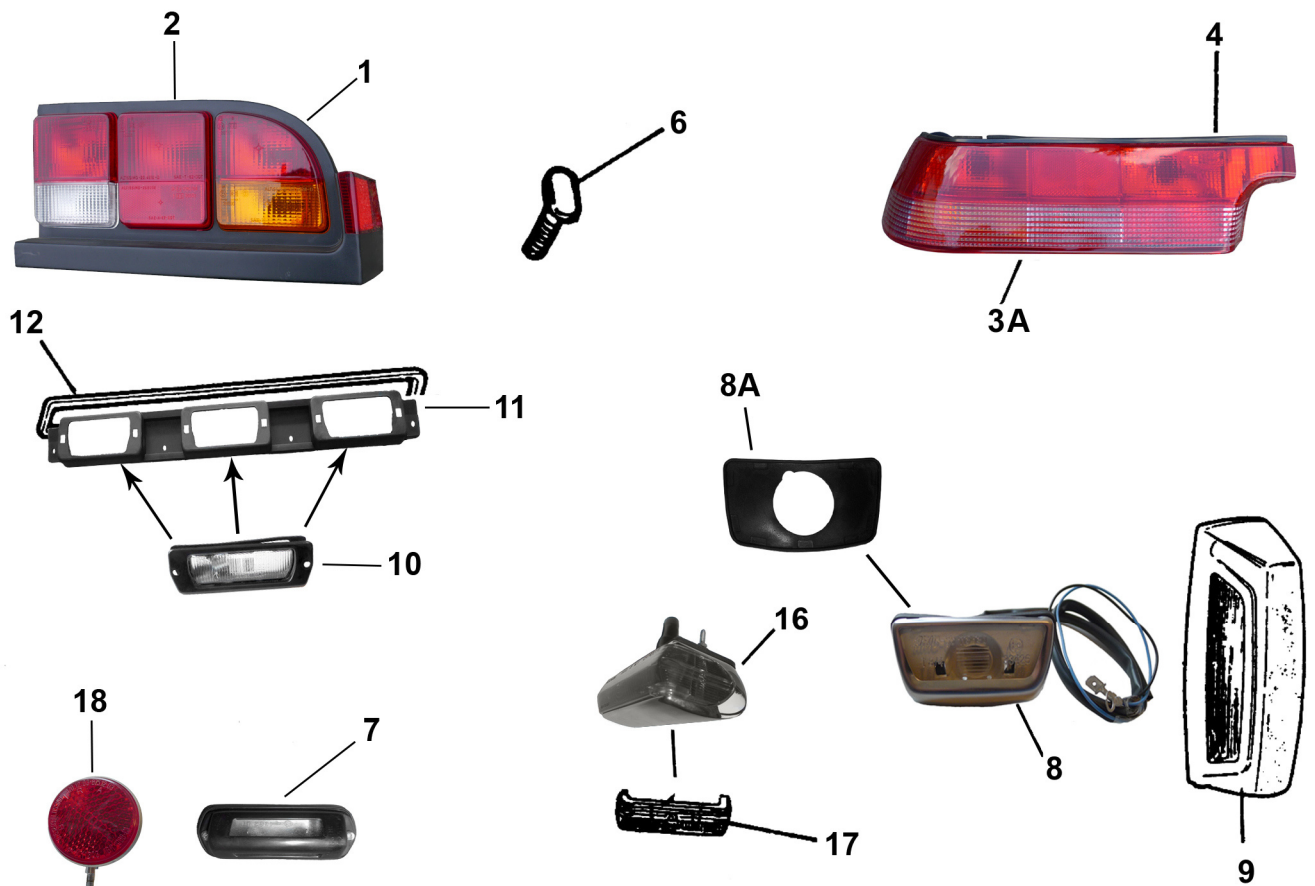
<u>Abb.</u>	<u>item-nr.</u>	<u>Description</u>	<u>Year</u>	<u>Price</u> €
1	27-1	broad circllet for right headlight, stainless steel	66-94	49,50
1A	27-1A	broad circllet for left headlight, stainless steel	66-94	49,50
1B	27-1B	set broad circllets for headlight , stainless steel	66-94	85,--
2	27-2	gasket for headlight circllet	66-94	5,50
4	27-4	motor for regulation of light range	90-94	150,--
5	27-5	gasket for headlight pot	66-94	13,--
6	27-6	chrome fixation ring for headlight	66-94	26,--
6A	27-6A	set (3) screw for fixation ring	66-94	4,--
7	27-7	headlight, H4 Carello	66-94	39,--
7D	27-7D	Bilux headlamp (Carello replica), ring mounting 1330/1600	66-70	49,--
8	27-8	light bulb H4	66-94	6,--
8B	27-8B	light bulb H4 for Bilux headlight	66-89	8,--
8C	27-8C	rubber covering for light bulb H4 / Carello	66-94	15,50
9	27-9	complete headlight pot, Carello	66-89	99,--
9A	27-9A	headlight pot for regulation of light range	90-94	160,--
9B	27-9B	assembling set for headlight pot (3 screws + 3 brackets)	66-94	7,80
10	27-10	left Plexiglas hood, Carello	66-94	64,--
10A	27-10A	right Plexiglas hood, Carello	66-94	64,--
10C	27-10C	set Plexiglas hood, Carello	66-94	99,--
11	27-11	small ring ornament for headlight	66-94	17,--
12	27-12	rubber spout for Plexiglas hood	66-94	3,--
13	27-13	fixation hook (chrome) for Plexiglas hood	66-94	7,50
13A	27-13A	rubber f. fixation hook for Plexiglas hood	66-94	3,60
14	27-14	fixation screw, chromed	66-94	3,90
15	27-15	calibration screw for headlight	66-89	4,--
16	27-16	fixation screw, chrome circllet for headlight	66-94	2,30



<u>Abb.</u>	<u>item-nr.</u>	<u>Description</u>	<u>Year</u>	<u>Price</u> €
1	28-1	left front turn signal, white-yellow	66-69	199,--
1A	28-1A	right front turn signal, white-yellow	66-69	199,--
2	28-2	left front turn signal, white	66-69	185,--
2A	28-2A	right front turn signal, white	66-69	185,--
2B	28-2B	fixation screw kit for turn-light cap	66-69	6,79
2C	28-2C	left turn signal cap, white	66-69	117,--
2D	28-2D	right turn signal cap, white	66-69	117,--
2E	28-2E	left turn signal cap, white/yellow	66-69	117,--
2F	28-2F	right turn signal cap, white/yellow	66-69	117,--
3	28-3	left turn signal cap, Carello	70-72	51,--
3A	28-3A	set of turn signal cap, white, Carello	70-82	105,--
3B	28-3B	turn signal cap, white/yellow Carello	70-82	51,--
3C	28-3C	set screws (3) for indicator cap in front	70-82	5,50
4	28-4	gasket for turn signal glass	70-82	9,--
5	28-5	left turn signal	83-94	85,--
5A	28-5A	right turn signal	83-94	85,--
6	28-6	left turn signal cap	83-94	27,90
6A	28-6A	right turn signal cap	83-94	27,90
7	28-7	screw for turn signal cap, white	82-94	4,50
7A	28-7A	screw for turn signal cap, yellow	83-89	4,50
8	28-8	light bulb 12 V / 4 W	66-94	1,--
8A	28-8A	light bulb 12 V / 5 W	66-94	1,--
8B	28-8B	light bulb 12 V / 21 W	66-94	1,--
8C	28-8C	light bulb orange 12 V / 21 W	66-94	3,50
8D	28-8D	light bulb 12 V / 21/5 W	66-94	1,--
9	28-9	side turn signal, drop shaped+ gasket	66-69	100,--
9A	28-9A	gasket between side turn signal and wing	66-69	10,--
10	28-10	round side turn signal with chrome brim	70-82	29,--
11	28-11	side turn signal	83-89	20,--
11A	28-11A	gasket for turn light	83-89	5,--
11B	28-11B	indicator sideways, longish	90-94	18,--
12	28-12	side turn signal, front, US model, chrome	70-82	95,--
13	28-13	chrome frame for side turn signal, US model	70-82	25,--
14	28-14	front turn signal, Spider, Bertone - US model	70-82	72,--
15	28-15	front o. back turn signal for bumper with left o right cable, USA	83-94	46,--



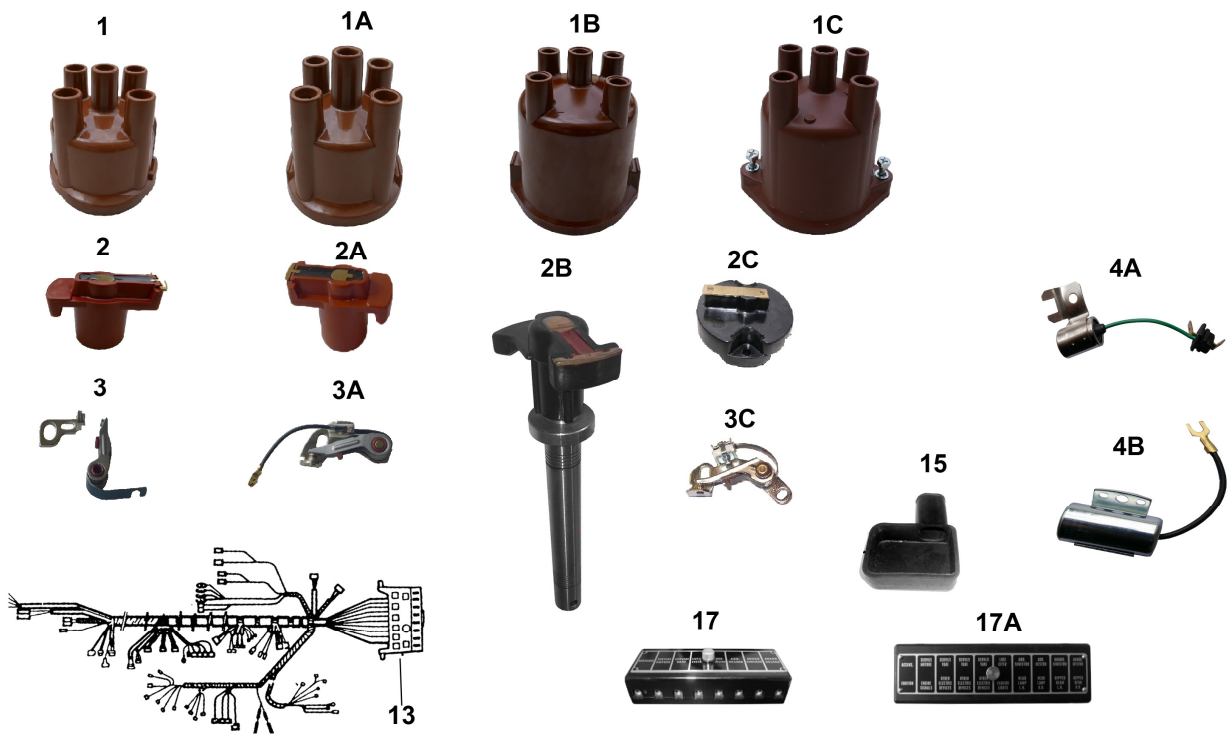
<u>Abb.</u>	<u>item-nr.</u>	<u>Description</u>	<u>Year</u>	<u>Price</u> €
1	29-1	complete left rear light, Carello	66-69	245,--
1A	29-1A	complete right rear light, Carello	66-69	245,--
2	29-2	cap for left rear light, Carello	66-69	116,--
2A	29-2A	cap for right rear light, Carello	66-69	116,--
2B	29-2B	red cap for right rear light, Carello	66-69	300,--
2C	29-2C	red cap for right rear light, Carello	66-69	300,--
2D	29-2D	fixation screw kit for tail-light cap	66-69	4,99
3	29-3	gasket left for rear light housing	66-69	52,--
3A	29-3A	gasket right for rear light housing	66-69	52,--
4	29-4	complete right rear light, Altissimo	70-82	300,--
4B	29-4B	set complete rear lights, Altissimo	70-82	599,--
4D	29-4D	complete right rear light with gasket, P/Z	70-82	199,--
4E	29-4E	complete left rear light with gasket, P/Z	70-82	199,--
4F	29-4F	set of rear lights, complete with gasket, P/Z	70-82	375,--
5	29-5	right rear light housing P/Z	70-82	150,--
5A	29-5A	left rear light housing P/Z	70-82	150,--
6	29-6	glass for left back up light	70-82	25,--
6A	29-6A	glass for right back up light	70-82	25,--
7	29-7	centre glass for left rear light	70-82	34,--
7A	29-7A	centre glass for right rear light	70-82	34,--
8	29-8	glass for left turn signal light	70-82	28,--
8A	29-8A	glass for right turn signal light	70-82	28,--
9	29-9	gasket for rear light housing, right	70-82	18,--
9A	29-9A	gasket for rear light housing, left	70-82	18,--
9B	29-9B	gasket right or left for rear light housing, reproduction	70-82	9,--
10	29-10	gasket for rear light housing	70-82	16,--
11	29-11	light bulb for rear light 12 V /21 /5W	66-82	2,--
11A	29-11A	light bulb for rear light 12 V /21W		1,50
12	29-12	fixation screw aluminium for rear light housing	70-82	8,--



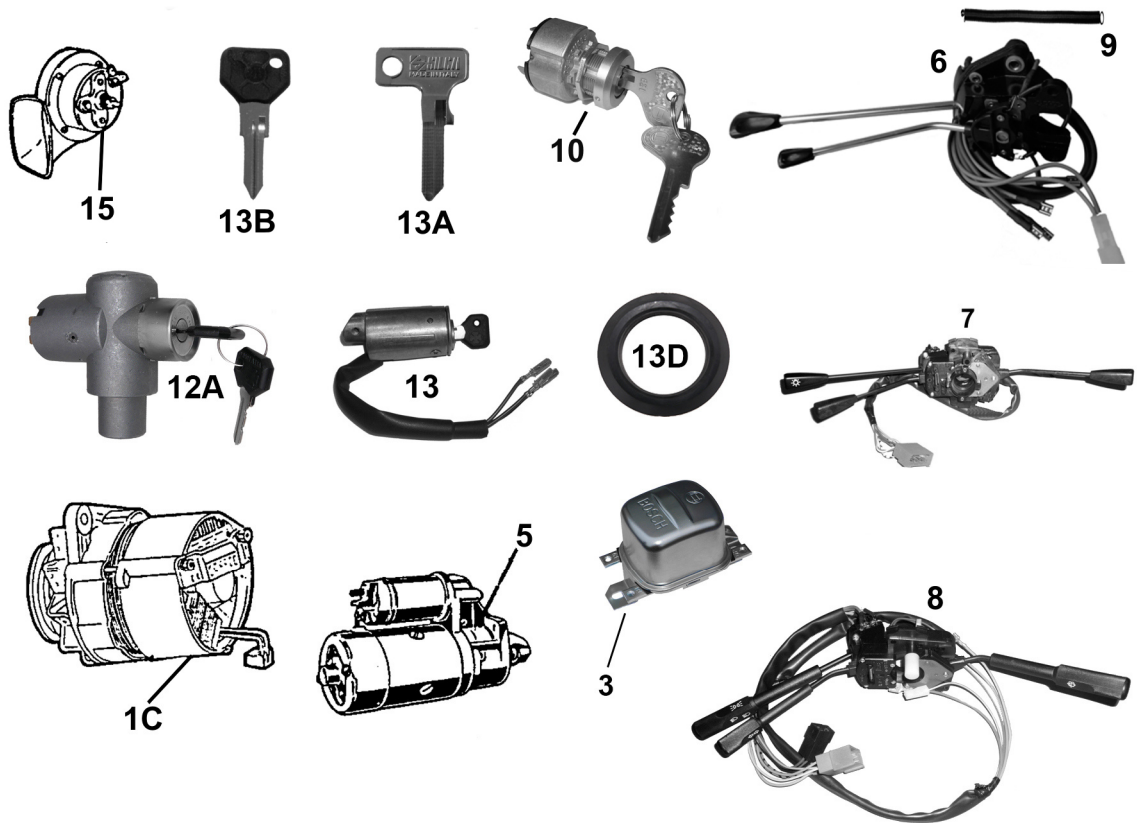
<u>Abb.</u>	<u>item-nr.</u>	<u>Description</u>	<u>Year</u>	<u>Price</u> €
1	210-1	taillight, RH	83-89	295,--
1A	210-1A	set taillight, RH + LH	83-89	570,--
2	210-2	gasket for taillight housing	83-89	16,--
3	210-3	set taillight, Europa	90-94	579,--
3A	210-3A	set taillight, USA	90-94	579,--
3B	210-3B	light bulb for taillight	66-94	2,--
4	210-4	gasket for taillight housing	90-94	10,20
5	210-5	plastic strip between taillights	83-89	55,--
6	210-6	fixation screw for strip	83-89	5,--
7	210-7	license number lighting	66-69	89,--
8	210-8	license number lighting, Carello	70-82	38,--
8A	210-8A	joint f. license number lighting	70-82	4,90
9	210-9	license number lighting, chrome, US	70-82	150,--
10	210-10	license number lighting	83-89	28,50
10A	210-10A	Gasket for license number lighting	83-89	3,50
11	210-11	bracket for license number lighting	83-89	26,50
11A	210-11A	fixation spout for licence number light	83-89	2,--
12	210-12	gasket for bracket	83-89	11,--
13	210-13	contact plate for license number lighting (boot lid)	83-89	30,--
14	210-14	contact plate for license number lighting (rear plate)	83-89	20,--
16	210-16	back up light, LH	66-69	290,--
16A	210-16A	back up light, RH	66-69	290,--
17	210-17	cap for back up light	66-69	56,--
18	210-18	reflector with holder chromed for bumper, rear	66-69	49,--



<u>Abb.</u>	<u>item-nr.</u>	<u>Description</u>	<u>Year</u>	<u>Price</u> €
1	211-1	ignition distributor, new, no vacuum adjustment	63-77	296,--
1-1	211-1-1	ignition distributor ,new, with vacuum adjustment	63-69	350,--
1A	211-1A	1+2+3 ignition distributor with low-pressure connection, incl. distributor cap		365,--
1B	211-1B	1+2+3 ignition distributor without low-pressure connection, incl. distributor cap		315,--
1K	211-1K	ignition distributor Bosch, new, with vacuum adjustment	87-89	325,--
1L	211-1L	ignition distributor Bosch, new, transistor ignition	90-94	350,--
1N	211-1N	oil seal for ignition distributor	63-94	2,90
2	211-2	set of ignition distributor covering	63-94	on request
3	211-3	big clip for cover	70-94	9,--
4	211-4	small clip for cover	70-94	6,90
5	211-5	set of ignition cables, green f. carburettor model	63-89	26,--
5A	211-5A	set of ignition cables, red silicone, with spark coil cover	66-89	26,--
5A1	211-5A1	Set of ignition cables, black (carburetor)	64-89	26,--
5B	211-5B	set of ignition cables, Spider 2,0 i.E. + Alfa 75	87-94	85,--
5C	211-5C	set of ignition cables Spider carburettor model / 75	90-94	37,--
6	211-6	set of fastening for ignition cables	83-94	20,--
7	211-7	fastening for ignition cable	63-82	18,--
8	211-8	spark plug, 2HL golden lodge	63-94	60,--
8A	211-8A	spark plug, N. G. KB 7 ES	63-94	5,50
8B	211-8B	spark plug, Alfa (alternate 2HL)Marelli/Denso	63-94	5,60
9	211-9	spark coil, standard	64-94	35,--
9A	211-9A	spark coil, high-performance	63-89	115,--
9B	211-9B	spark coil, Spider i.E. / 75 / 164	90-94	70,--
10	211-10	spark coil cover	63-89	7,--
11	211-11	Rubber cover for ignition plug	63-94	2,--



<u>Abb.</u>	<u>item-nr.</u>	<u>Description</u>	<u>Year</u>	<u>Price</u> €
1	212-1	cap for Bosch-distributor, Spider, GT, Giulia	63-74	15,--
1A	212-1A	cap for Bosch-distributor, Spider, GT, Giulia	74-94	16,--
1B	212-1B	cap for Marelli-distributor, Spider, GT, Giulia	67-87	23,50
1C	212-1C	cap for Marelli-distributor, with electronic ignition, Spider	80-90	22,50
2	212-2	distribution finger, for Bosch-distributor, Spider, GT, Bertone, Giulia	63-66	35,--
2A	212-2A	distribution finger, for Bosch-distributor, Spider	67-90	10,--
2B	212-2B	distribution finger for Bosch-distributor, with spindle, 2.0 i.E.	90-94	53,--
2C	212-2C	distribution finger, Marelli-distributor, Spider, GT, Giulia	67-90	11,50
2D	212-2D	distribution finger, Marelli-distributor, for electronic ignition	77-89	11,50
3	212-3	ignition contact, for Bosch-distributor, 2-parts	64-68	17,--
3A	212-3A	ignition contact, for Bosch-distributor	68-90	9,--
3C	212-3C	ignition contact, Marelli-distributor, spider	67-90	9,--
3D	212-3D	contactor with white cable, Marelli-distributor	77-89	84,--
4	212-4	condenser, for Bosch-distributor	64-68	9,50
4A	212-4A	condenser, for Bosch-distributor	68-94	9,50
4B	212-4B	condenser Marelli-distributor	67-90	10,--
6	212-6	odometer element	90-94	500,--
12	212-12	controller for transistor ignition	77-89	103,--
13	212-13	controller (US)	86-89	824,--
13A	212-13A	controller	90-94	824,--
14	212-14	wiring harness and fuse box	87-89	750,--
14A	212-14A	wiring harness and fuse box, US	90-94	750,--
14B	212-14B	wiring harness and fuse box, (w. regulation of light range)	90-94	570,--
14C	212-14C	wiring harness Duetto	66-69	1050,--
14D	212-14D	wiring harness Spider	70-82	779,--
14E	212-14E	wiring harness GT 1300	66-69	650,--
14F	212-14F	wiring harness 1750, GTV	68-70	539,--
14G	212-14G	wiring harness Giulia	63-78	550,--
14H	212-14H	wiring harness 1750	70-72	639,--
14J	212-14J	wiring harness GT 2000	70-73	550,--
15	212-15	rubber cap for battery cable	63-94	5,--
17	212-17	fuse box with cap, 8 fuses	62-66	125,--
17A	212-17A	fuse box with cap / with 10 fuses	66-80	198,--
17B	212-17B	fuse box with cap, 22 connections		195,--
17C	212-17C	fuse box with cap, 21 connections		195,--
17D	212-17D	bracket for fuse box w.10 fuses		10,--



<u>Abb.</u>	<u>item-nr.</u>	<u>Description</u>	<u>Year</u>	<u>Price</u> €
1	213-1	generator replacement part, DC with external regulator	64-74	195,--
1B	213-1B	generator replacement part, coflow	63-67	395,--
1C	213-1C	generator and regulator	75-94	195,--
1D	213-1D	cover rubber f. generator or starter cable on the battery	63-94	4,50
1F	213-1F	pledge for replacement parts generator, will be paid back when the used part returns	63-94	100,--
3	213-3	voltage regulator, direct current, original Bosch	63-72	170,--
3A	213-3A	voltage regulator AC	70-80	46,--
3B	213-3B	voltage regulator AC	80-94	58,--
3C	213-3C	voltage regulator, direct current, type Bosch	60-72	98,--
5	213-5	starter replacement part, pinion with 8 cogs	63-72	195,--
5A	213-5A	starter replacement part, pinion with 9 cogs	70-89	195,--
5B	213-5B	starter replacement part, for injector models	90-94	258,--
5C	213-5C	fit bolt for starter / transmission system	63-94	7,--
5D	213-5D	pledge for replacement parts starter, will be paid back when the used part returns	63-94	100,--
6	213-6	turn signal combination switch, Spider	63-80	235,--
6A	213-6A	turn signal combination switch, Giulia, GT. Montreal, Zagato, Berlina, (4 headlamps)	66-78	235,--
7	213-7	turn signal combination switch, Spider	79-86	239,--
7A	213-7A	turn signal combination switch, Alfetta, GTV	75-86	189,--
7B	213-7B	turn signal combination switch Spider	80-86	282,--
8	213-8	turn signal combination switch	87-94	284,90
9	213-9	spring for turn signal combination switch	63-80	6,90
10	213-10	ignition lock on dashboard	63-65	79,--
12A	213-12A	ignition lock, Bertone, Spider, Giulia, Zagato, Montreal	66-79	139,--
12B	213-12B	Ignition lock, Spider, Alfetta, GT, GTV, GTV6 with 4 cables	80-94	175,--
13	213-13	ignition lock, Spider, Alfetta, GTV, GTV6 with 3 cables	80-94	172,--
13A	213-13A	moulding blank for ignition key	66-79	7,--
13B	213-13B	moulding blank for ignition key	80-94	7,--
13D	213-13D	Rubber ring for ignition lock	80-94	15,--
14	213-14	fuse set, 10 units	63-82	8,--
15A	213-15A	horn set	64-94	49,--

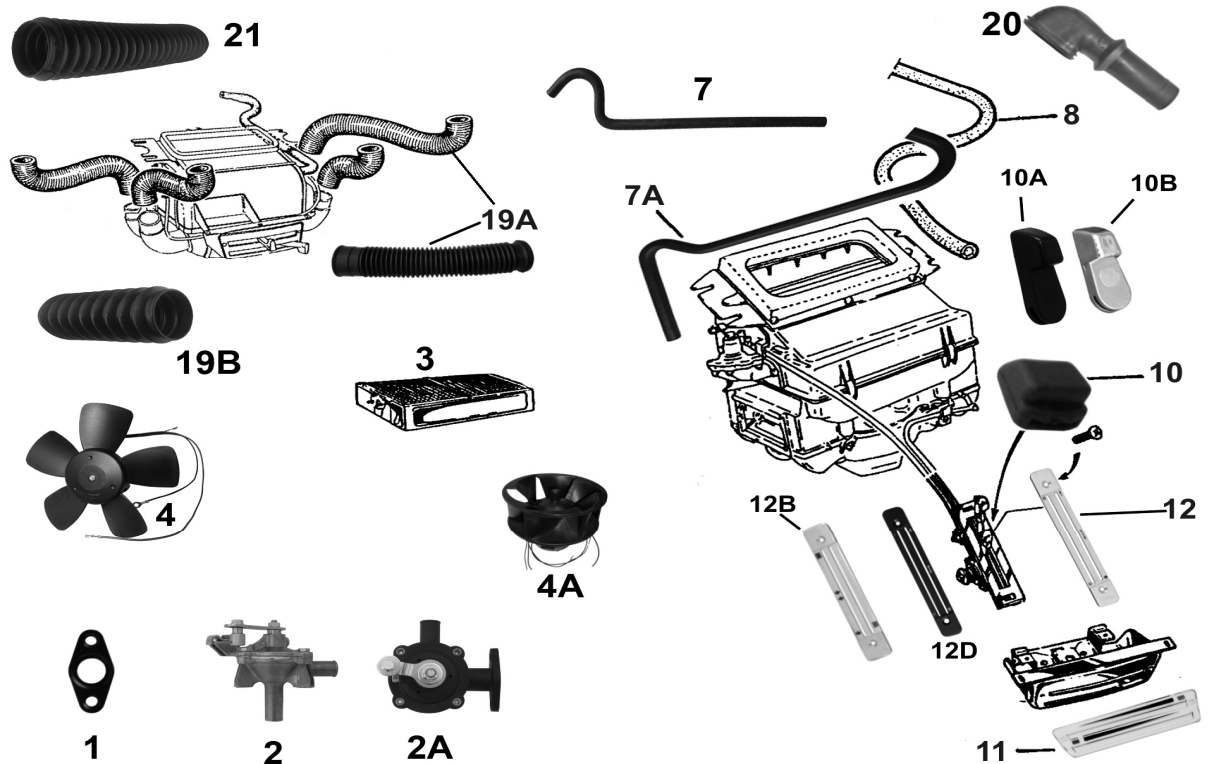
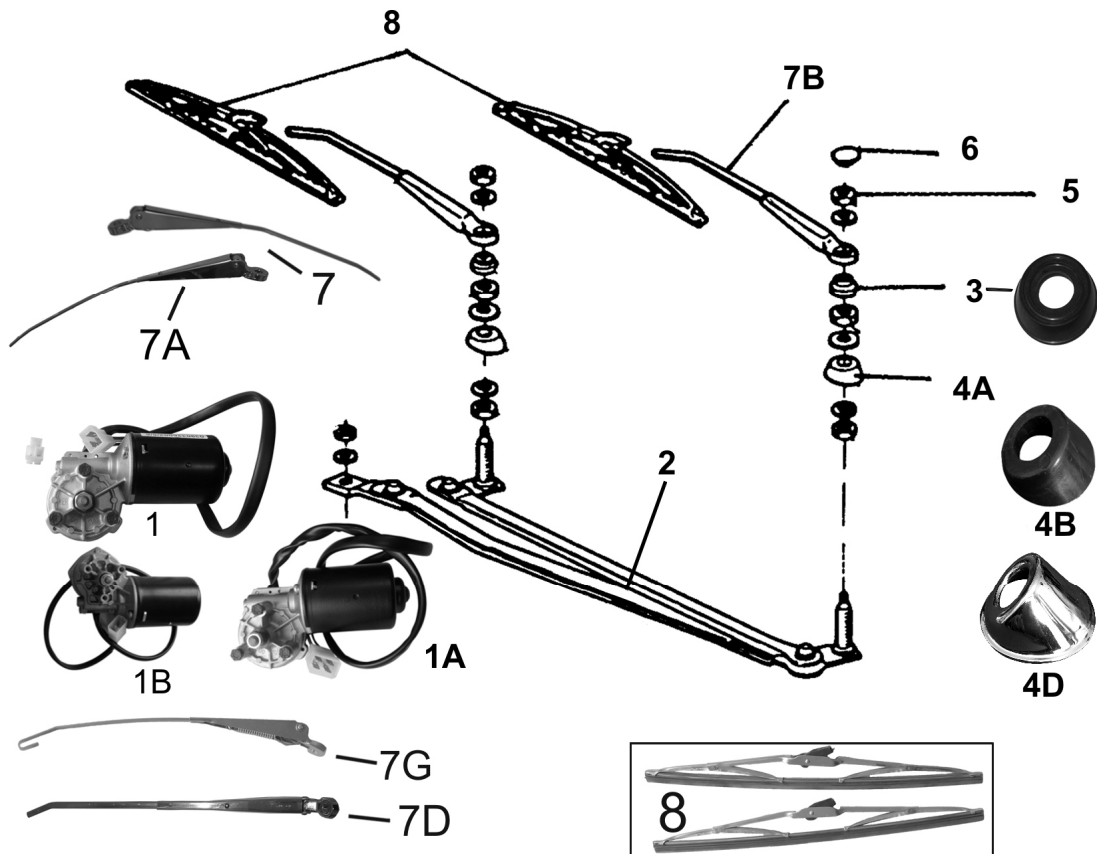
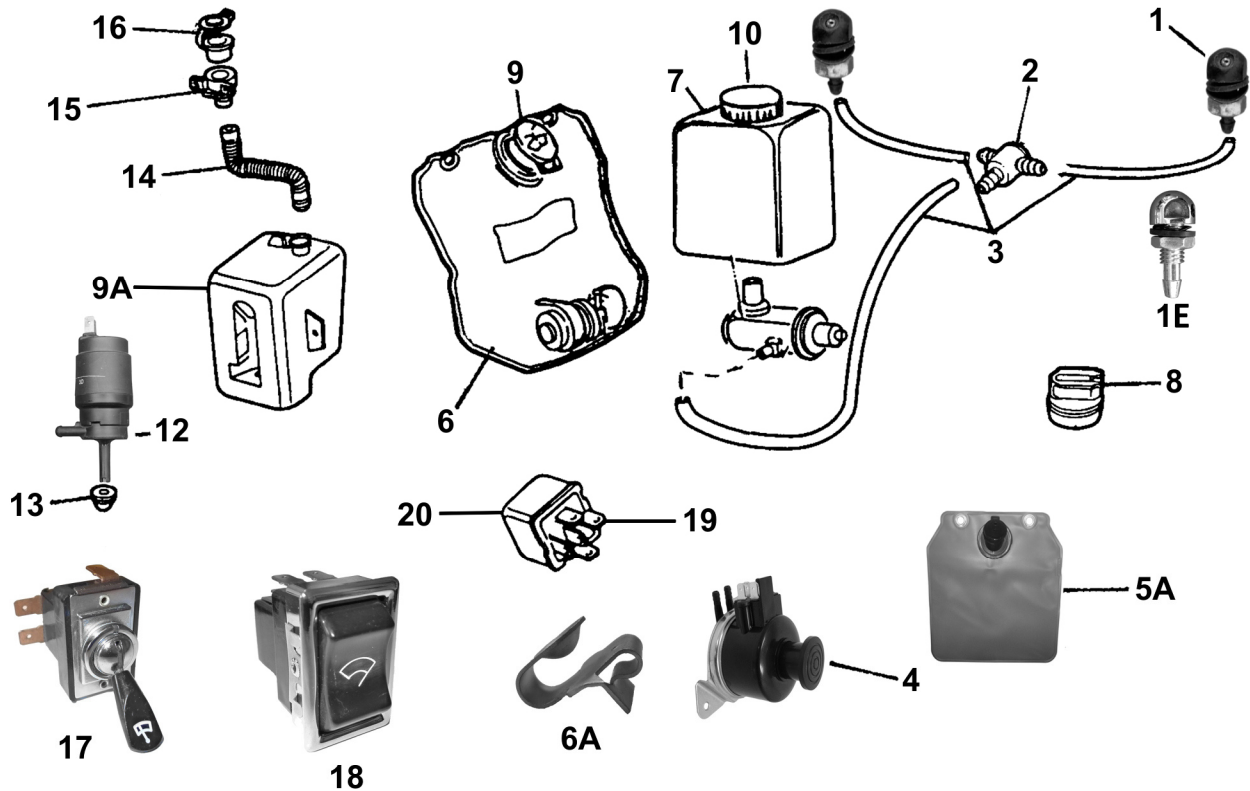


Abb.	item-nr.	Description	Year	Price €
1	214-1	gasket for heating valve	72-94	3,--
2	214-2	heating valve, (version metal housing)	63-74	53,70
2A	214-2A	heating valve, (version plastic housing)	74-94	52,80
3	214-3	heating cooler, (version: metal valve)	63-74	135,--
3A	214-3A	heating cooler, (version: plastic valve)	72-94	135,--
4	214-4	heating blower motor, two joints, round tail	63-69	129,--
4A	214-4A	heating blower motor, three joints	70-94	135,--
4B	214-4B	heater blower motor, without propeller Bertone, Giulia	69-78	148,--
5	214-5	gasket for heating box	63-69	37,--
6	214-6	air condition with motor, Spider	87-94	360,--
7	214-7	water hose, metal heating valve - aspiration bridge	63-74	12,50
7A	214-7A	water hose, plastic heating valve - aspiration bridge	74-94	15,--
8	214-8	water hose, heating - water pump	63-94	10,--
8A	214-8A	fixation clamp original Romablok (17-19 mm)	58-94	5,--
10	214-10	original black cap for heater actuation	63-86	6,--
10A	214-10A	black actuation cap for heater	87,94	10,--
10B	214-10B	chrome actuation cap for heater	63-87	10,--
10C	214-10C	actuating cable for heating	66-94	10,--
11	214-11	heater blind, plastic, Spider, Giulia, GT without centre console 1,3/1,6	66-69	59,--
12	214-12	chrome blind heater actuation part, Spider, Bertone, Giulia, with centre cons.1,3/1,6	70-86	36,--
12A	214-12A	chrome blind for heater actuation part	87-94	35,--
12B	214-12B	chrome blind f. heater actuation part, Bertone, without centre console	63-70	45,--
12C	214-12C	screw stainless steel f. heater actuation	63-94	1,30
12D	214-12D	Heater blind black, Spider, Giulia, Bertone with centre console	70-86	32,--
13	214-13	switch for heating blower, one-stage, 1300 / 1600 –round tail	66-69	65,--
14	214-14	switch for heating blower, one-stage, Giulia, Zagato	66-69	65,--
15	214-15	switch for heating blower, two-stage, Bertone, Giulia, Zagato	70-77	75,--
16	214-16	switch for heating blower, Spider 1750, 2000	70-80	110,--
17	214-17	rocker switch for heating blower, Spider	80-86	95,--
18	214-18	switch for heating blower, Spider	87-94	69,--
19	214-19	sideway fresh air hose, Spider	66-78	39,--
19A	214-19A	sideway long heating air hose, (rubber) Bertone	63-77	55,--
19B	214-19B	central fresh air hose,11 cm(rubber) GT, Bertone	63-77	20,--
20	214-20	sideway fresh air hose Spider 1300 / 1600	66-78	99,--
21	214-21	air distribution hose 23 cm, Spider 1600, 2,0 > 79	79-94	30,--
22	214-22	ventilation hose short right or left, for air conditioner	87-94	21,--



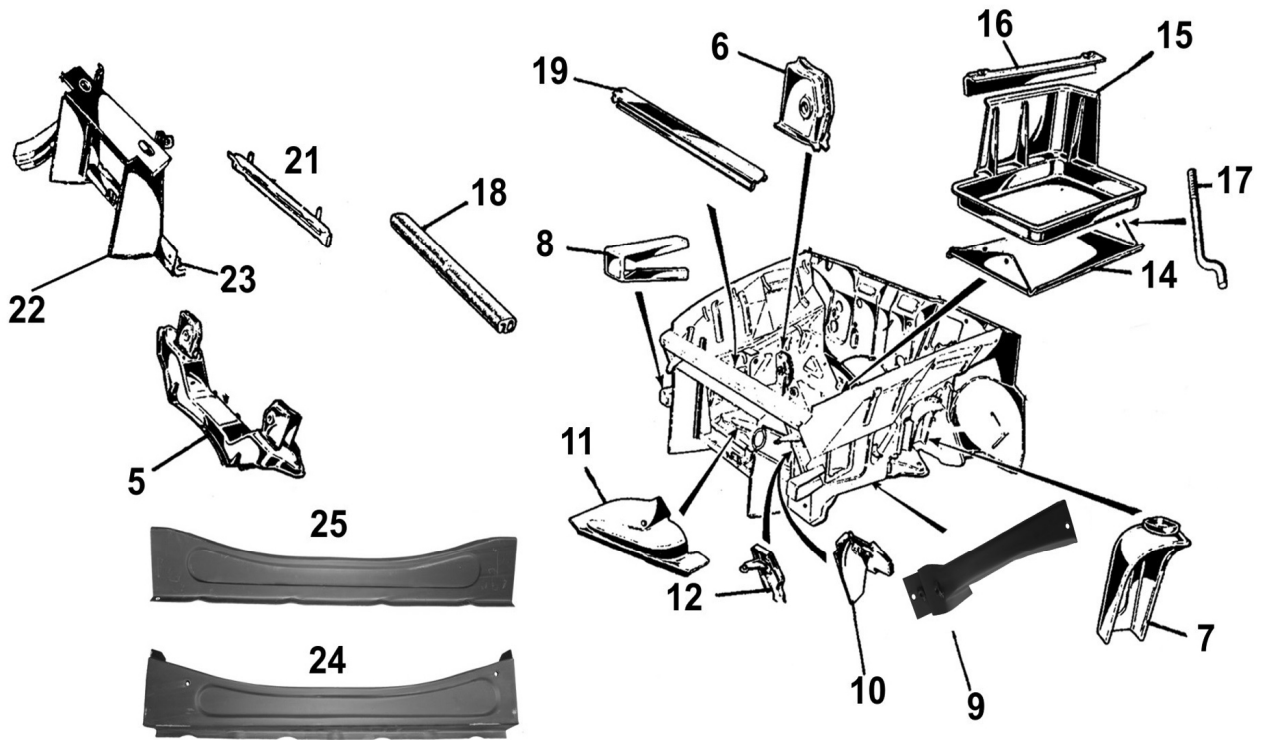
<u>Abb.</u>	<u>Item-nr.</u>	<u>Description</u>	<u>Year</u>	<u>Price</u> €
1	215-1	wiper motor, RH, GT, Giulia, round tail (3 pins)	63-69	158,--
1-1	215-1-1	wiper motor, Giulia, GT (4 pins)	70-78	150,--
1A	215-1A	wiper motor, (4 plugs)	70-86	150,--
1B	215-1B	wiper motor, (5 plugs)	86-93	145,--
2	215-2	wiper linkage, Spider	70-94	210,--
2A	215-2A	wiper linkage, Giulia	63-77	169,--
2B	215-2B	wiper linkage, GT Bertone	63-77	230,--
2C	215-2C	wiper linkage, Spider Duetto	66-69	230,--
3	215-3	plastic ring for wiper shaft	70-94	4,60
4	215-4	cover rubber for wiper shaft, Spider 66-69, Giulia, Bertone	66-77	7,50
4A	215-4A	covering rubber for wiper shaft, Spider	70-94	8,--
4B	215-4B	guidance for wiper shaft	70-82	7,--
4C	215-4C	guidance for wiper shaft	83-94	12,--
4D	215-4D	chromed cover for wiper spindle	66-69	44,--
5	215-5	chrome cap nut for wiper arm	66-94	1,30
5A	215-5A	cap nut for wiper arm orig. shape	66-94	1,50
6	215-6	cap for wiper arm, Spider, Giulia, Bertone / for 215-5A	66-78	3,60
6A	215-6A	slide on wiper arm cap, 105/115		5,50
7	215-7	set chrome wiper arm, Giulia, Bertone	63-78	40,--
7D	215-7D	set chrome wiper arms, Spider	70-94	39,--
7G	215-7G	set chrome wipers arm, hook mounting, Spider	66-69	40,--
8	215-8	set of wiper blades, chrome, hook mounting 33 cm - round t.	66-69	35,--
8A	215-8A	set of wiper blades, chrome, Giulia, Bertone 33 cm	63-78	30,--
8B	215-8B	set of chrome wiper blades, 39 cm, 7mm wide	70-94	30,--
8C	215-8C	set of wiper blade, black, 9 x 2.5 mm incl. adapter, Bosch system	83-94	49,--
8D	215-8D	set of wiper blades, black, Spider, 7mm base broadness	70-94	39,--
9	215-9	set of wiper arms and blades, chrome, GT, Giulia	63-78	65,--
9A	215-9A	set of wiper arms and blades, chrome, Spider	70-94	65,--



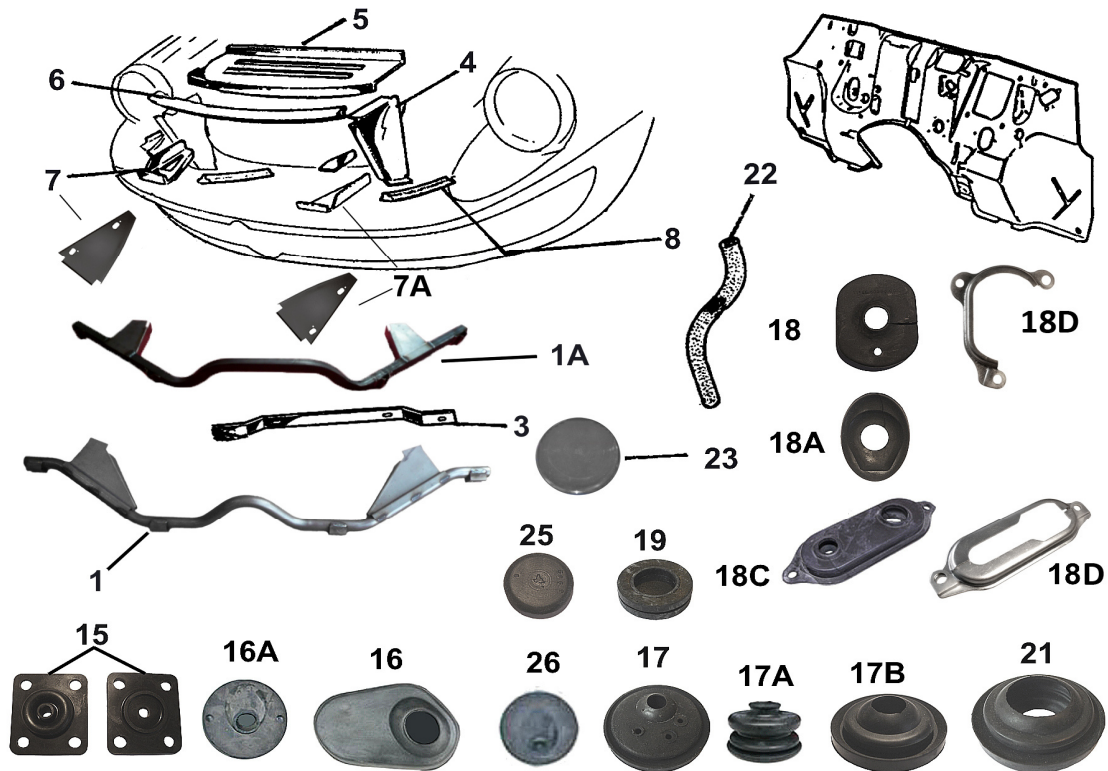
<u>Abb.</u>	<u>item.nr.</u>	<u>Description</u>	<u>Year</u>	<u>Price</u> €
1	216-1	plastic spray nozzle, black (screw mounting) Spider	66-94	6,-- €
1B	216-1B	chromed metal spray nozzle, Spider	70-94	19,--
1C	216-1C	black plastic spray nozzle, dual-trace, Giulia, Bertone	66-77	9,--
1E	216-1E	chromed plastic spray nozzle, dual-trace, Giulia, Bertone	63-77	11,--
1F	216-1F	chromed metal spray nozzle, round tail	66-69	15,--
2	216-2	distributor for spray nozzle	63-94	4,--
3	216-3	water hose, 1m	66-94	3,29
4	216-4	foot pump, plastic housing	63-78	65,--
5A	216-5A	water bag for wiper system	63-80	21,--
6	216-6	water bag for wiper system with pump	70-94	49,--
6A	216-6A	retaining clamp for water bag GT, Giulia, Spider till 80	63-80	2,90
7	216-7	water supply tank with pump	80-89	55,--
8	216-8	water tank with electric pump	63-72	3,50
9	216-9	closing for water bag	72-80	3,50
9A	216-9A	water supply tank	90-93	60,--
12	216-12	pump for water supply tank	90-94	37,--
14	216-14	filler hose for tank	86-94	12,--
15	216-15	clamping collar for filler hose	86-94	8,--
16	216-16	top cover for filler hose	86-94	15,--
17	216-17	switch for wiper, Giulia, Bertone, Zagato 1300/1600 - round tail	64-77	75,--
18	216-18	switch for wiper, Spider 1750 / 2000	70-80	110,--
19	216-19	air gap switch for wiper motor	86-94	45,--
20	216-20	wiper relay	87-90	28,20



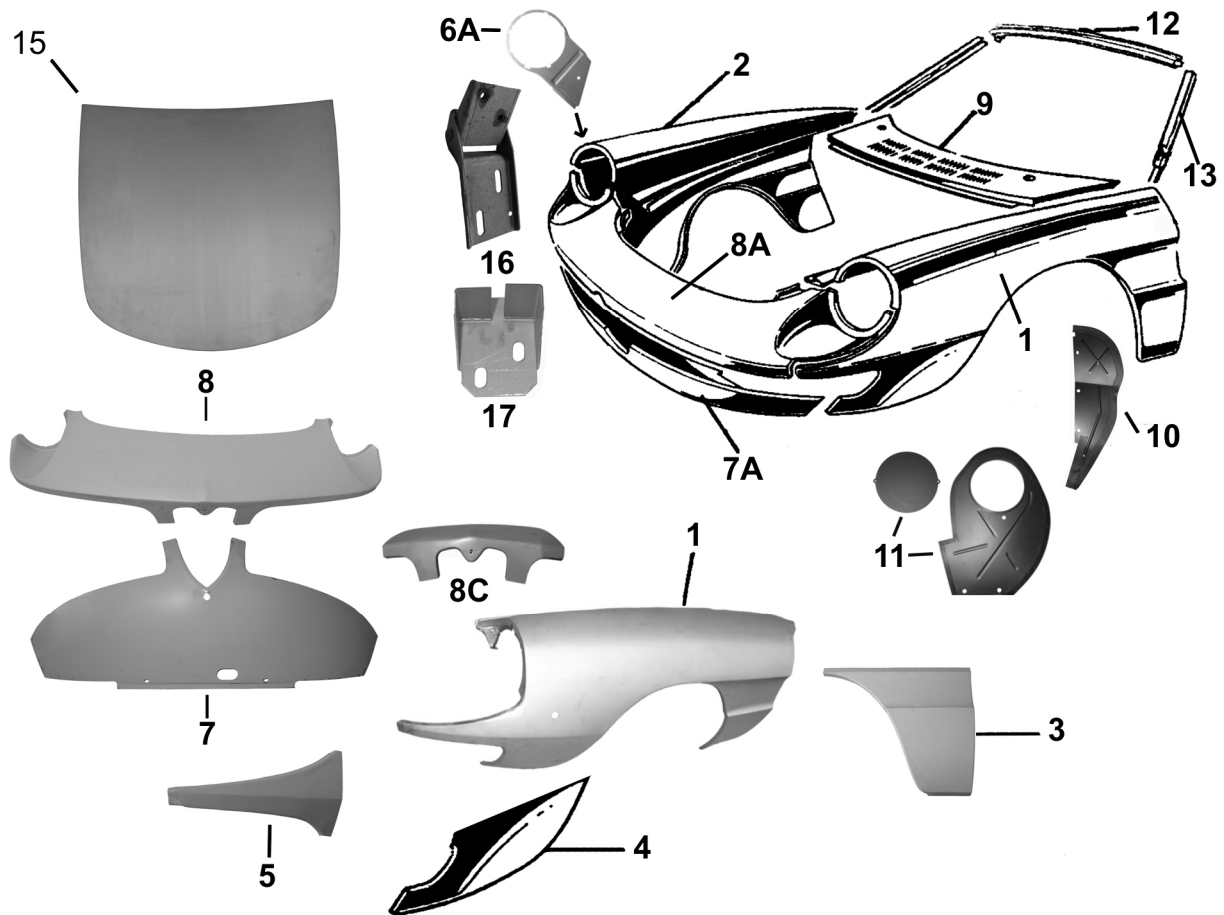
<u>Abb.</u>	<u>Item.nr.</u>	<u>Description</u>	<u>Year</u>	<u>Price</u> €
1	217-1	switch for wiper, Giulia, Bertone – round rear end	63-78	75,--
2	217-2	switch for wiper, Spider 1300/1600, GT 1750- 2,0	66-78	75,--
3	217-3	switch for wiper, Spider 2000	70-80	110,--
3A	217-3A	switch for rear window, hardtop	70-80	85,--
5	217-5	switch for hazard warning lights, round press button	70-80	95,--
5A	217-5A	switch for rear window, Giulia + GT	66-77	85,--
6	217-6	squared red rocker switch for hazard warning lights	80-83	86,--
7	217-7	squared black rocker switch f. Hazard warning lights, Spider + GTV6	83-86	65,--
8	217-8	turn light relay with 3 attachment	83-86	30,--
8A	217-8A	turn light relay, rectangular	87-94	25,--
10	217-10	switch for heating blower, one-stage, 1300 / 1600 – round tail	66-69	75,--
10A	217-10A	switch for heating blower, two-stage, Bertone, Giulia	66-77	75,--
10B	217-10B	Switch for heating blower, one-stage, GT, Bertone, Giulia		75,--
11	217-11	switch for heating blower, Spider	70-80	110,--
12	217-12	green rocker switch for heating blower, Spider	80-86	95,--
13	217-13	switch for heating blower, Spider	87-94	69,--
14	217-14	switch for instruments lighting 1300/1600	63-78	69,--
15	217-15	switch for instrument lighting, Spider 1750/2000, Montreal	70-80	88,--
16	217-16	switch for instrument lighting, Spider	80-86	85,--
17	217-17	switch for instrument lighting	86-94	on request
18	217-18	regulation of light range	90-94	65,--
20	217-20	switch for fog tail lamp	70-94	88,--
21	217-21	control switch for engine and boot	87-94	10,--
22	217-22	touch sensitive switch for door (Spider)	66-94	13,--
23	217-23	touch sensitive switch for door (Bertone)	63-67	10,--
23A	217-23A	touch sensitive switch for door Giulia, Berlina	63-78	6,90
24	217-24	radio antenna, electronic, Alfa original	87-94	230,--
25	217-25	dimmer for instrument lighting	80-86	49,--
26	217-26	warning light red for brake liquid	87-94	25,--
27	217-27	hazard switch retrofit kit	63-75	79,--



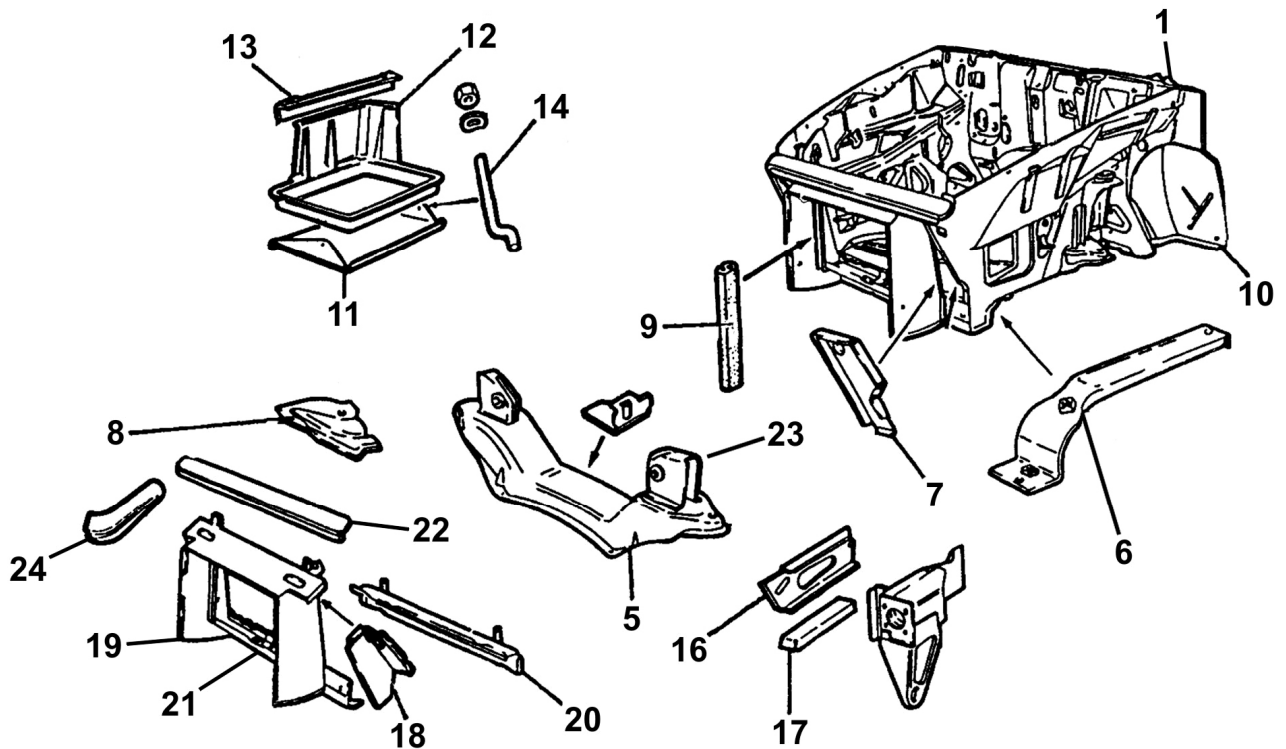
<u>Abb.</u>	<u>item.nr.</u>	<u>Description</u>	<u>Year</u>	<u>Price</u> €
5	218-5	engine mount	66-82	850,--
6	218-6	seating of upper transverse control arm, LH or right	66-94	73,--
8	218-8	seating of bumper bracket, RH or LH	66-82	32,--
9	218-9	connection plate, engine side panel, LH	66-82	32,--
9A	218-9A	connection plate, engine side panel, RH	66-82	32,--
10	218-10	stiffener, RH front	66-82	37,--
10A	218-10A	stiffener, LH front	66-82	37,--
11	218-11	extension, RH front	66-82	49,--
11A	218-11A	extension, LH front	66-94	49,-- 49,--
12	218-12	connection endplate, RH front	66-94	26,--
12A	218-12A	connection endplate, LH front	66-82	26,--
13	218-13	retaining plate for battery 1. Series	66-69	149,--
14	218-14	retaining plate for battery	70-89	39,--
15	218-15	plastic tray for battery	66-94	39,--
16	218-16	fixation angle for battery	66-94	16,50
16A	218-16A	wing nut for fixation angle battery	66-94	1,30
17	218-17	fixation rod for battery	66-94	9,--
18	218-18	kit gaskets for wind guide plate	66-94	6,--
19	218-19	upper traverse front (engine bonnet, hinge seating)	66-94	43,--
21	218-21	upper cross member radiator	68-94	51,--
22	218-22	radiator box complete	66-82	245,--
23	218-23	cross member radiator below	68-82	39,50
24	218-24	lower cross member radiator rear, u profile	63-69	84,--
25	218-25	lower cross member radiator rear	63-69	54,--



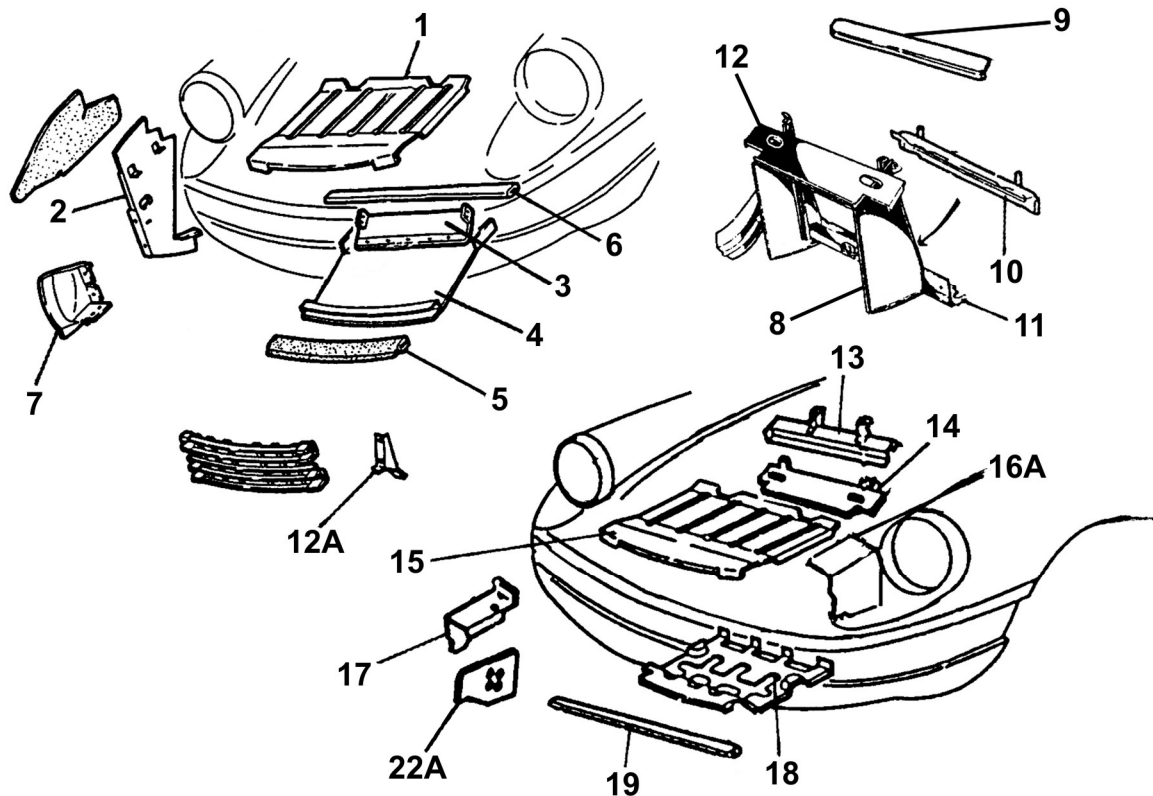
<u>Abb.</u>	<u>Item.nr</u>	<u>Description</u>	<u>Year</u>	<u>Price</u> €
1	219-1	bumper mount	66-69	299,--
1A	219-1A	bumper mount	70-82	199,--
2	219-2	fixation plate for bumper	70-82	26,10
3	219-3	bumper mount	70-82	25,--
4	219-4	air shield, LH	66-82	25,--
4A	219-4A	air shield, RH	66-82	25,--
4B	219-4B	connection sheet radiator box - lower front plate left	70-82	25,--
4C	219-4C	connection sheet - lower front plate right	70-82	25,--
5	219-5	air shield, up	66-82	59,--
6	219-6	gasket for air shield	66-82	6,--
7	219-7	connection plate, engine side panel, front plate lower RH	70-82	33,--
7A	219-7A	connection plate, engine side panel, front plate lower RH	70-82	33,--
8	219-8	gasket for air shield, sideway	66-82	5,--
15	219-15	lead-through rubber for carburet throttle controls	63-89	6,90
16	219-16	lead-through rubber for steering rod, cowl	66-69	45,--
16A	219-16A	lead-through rubber for steering rod,	70-94	45,--
17	219-17	lead-through rubber f. heating hose, tacho shaft + carburettor control cable	66-94	15,--
17A	219-17A	lead-trough rubber f. heating hose GT, Spider, Giulia	66-69	15,--
17B	219-17B	lead-trough rubber f. heating hose	70-94	10,50
18	219-18	lead-through rubber for wiring harness, angular	86-89	7,--
18A	219-18A	lead-through rubber for wiring harness, oval	63-85	7,--
18B	219-18B	retaining plate for pos. 219-18	86-94	8,--
18C	219-18C	lead-through rubber for wiring harness	90-94	19,50
18D	219-18D	Tôle fixation pour câblage centrale	90-94	26,--
19	219-19	lead-through rubber for brake pipe	63-94	2,--
21	219-21	lead-through rubber for water drain hose	63-94	6,--
22	219-22	water drain hose, front, RH/left	78-94	22,--
22A	219-22A	water drain hose, grey	63-78	16,90
23	219-23	rubber stopper for floor panel or spare wheel tray	66-94	4,--
24	219-24	waste water hose, rear, B-Pillar	66-94	15,--
25	219-25	square plug	63-94	1,20
26	219-26	lead-trough rubber for tach shaft cowl, accelerator and choke cable, bilkhead	63-69	16,--



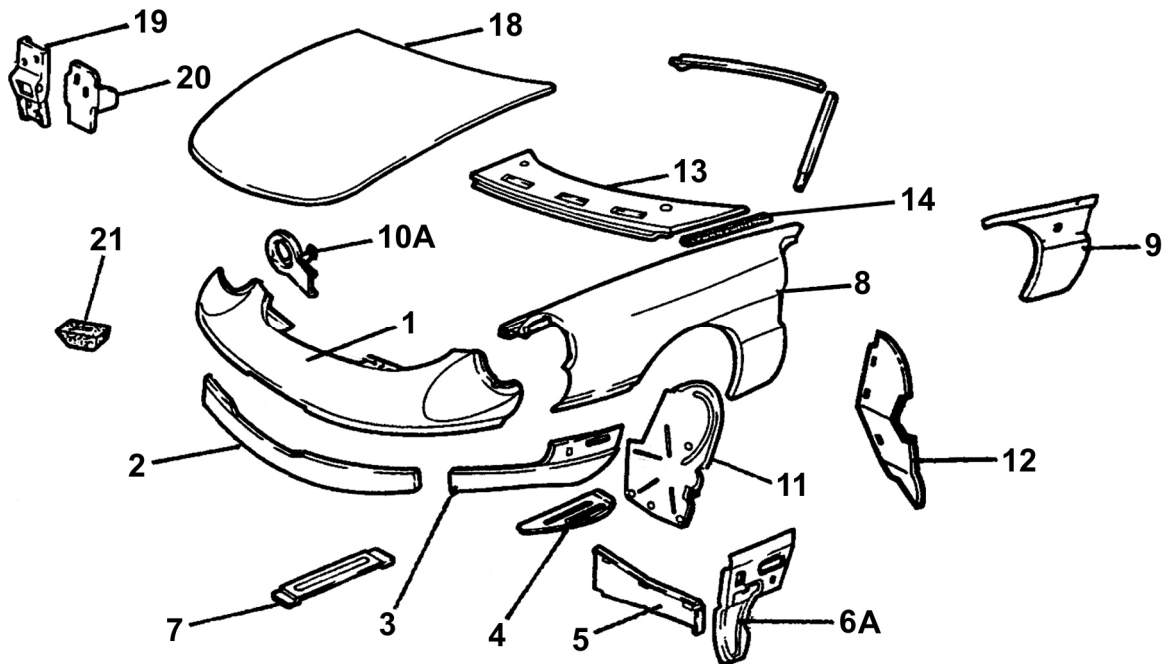
<u>Abb.</u>	<u>Item.nr.</u>	<u>Description</u>	<u>Year</u>	<u>Price</u> €
1	220-1	mudguard, front, LH	66-82	525,--
2	220-2	mudguard, RH	66-82	525,--
3	220-3	lower mudguard repair plate, rear, LH (A-Pillar)	66-82	65,--
3A	220-3A	lower mudguard repair plate, rear, RH (A-Pillar)	66-82	65,--
4	220-4	mudguard repair plate, front, lower coign, LH	66-82	43,--
4A	220-4A	mudguard repair plate, front, lower coign, RH	66-82	43,--
5	220-5	mudguard repair plate, front, upper coign, LH	66-82	29,--
5A	220-5A	mudguard repair plate, front, upper coign, RH	66-82	29,--
6	220-6	headlight retaining plate, LH	66-82	56,--
6A	220-6A	headlight retaining plate, RH	66-82	56,--
7	220-7	lower front plate 1600	66-67	293,--
7A	220-7A	lower front plate	70-82	99,--
7B	220-7B	lower front plate 1300/1750	66-69	293,--
7C	220-7C	lower repair plate for front plate, middle	66-69	69,--
8	220-8	upper front plate	66-69	449,--
8A	220-8A	upper front plate	70-82	179,--
8B	220-8B	stiffening plate for right or left headlight retaining plate	66-94	29,--
8C	220-8C	upper repair plate for front plate, middle	66-69	245,--
9	220-9	stiffener plate for left inner front plate	66-94	48,--
9A	220-9A	stiffener plate for right inner front plate	66-94	48,--
10	220-10	splash guard, rear, LH	66-94	39,--
10A	220-10A	splash guard, rear, RH	66-94	39,--
11	220-11	splash guard, front, LH, with cap	66-82	59,--
11A	220-11A	splash guard, front, RH, with cap	66-82	59,--
15	220-15	engine bonnet	66-94	599,--
16	220-16	bonnet hinge	66-94	30,--
17	220-17	mount for bonnet hinge	66-94	14,--



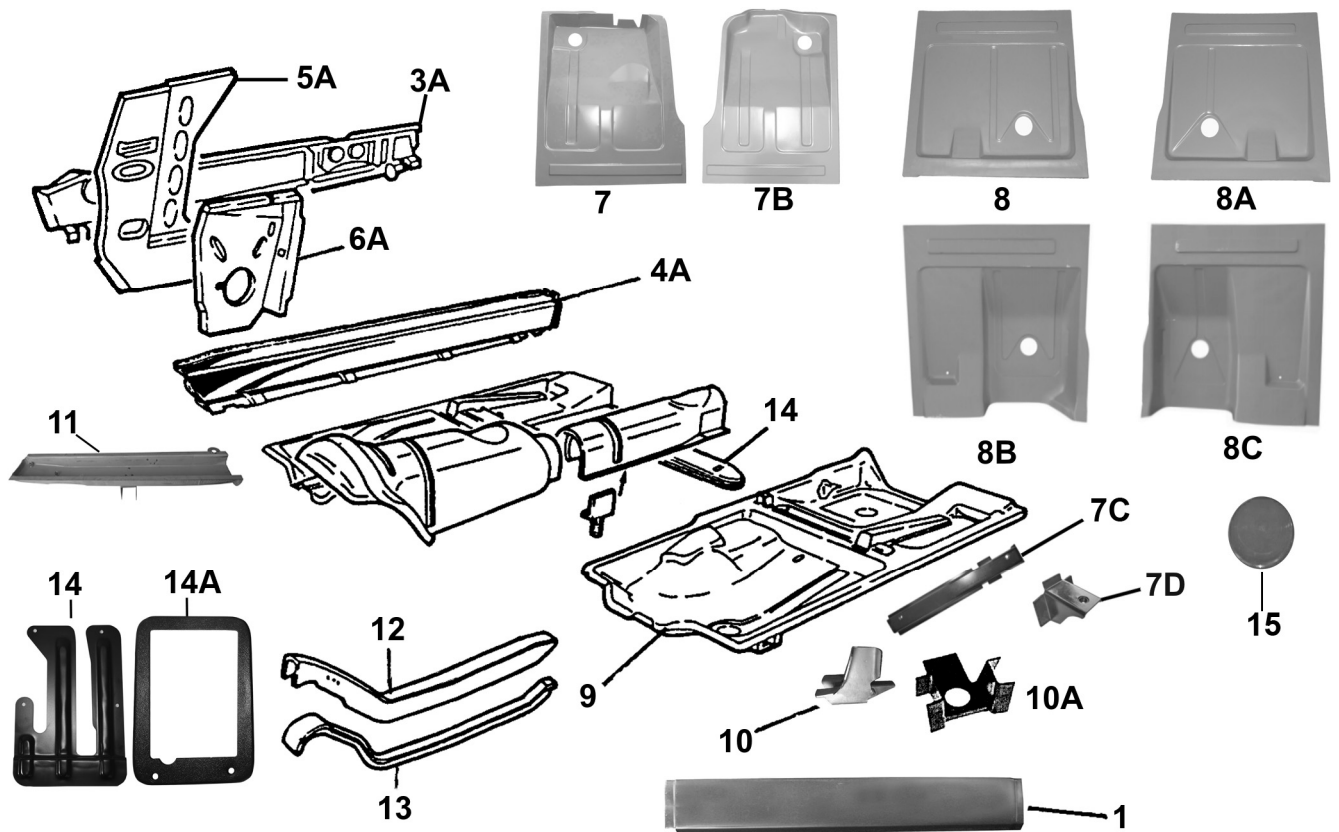
<u>Abb.</u>	<u>item-nr.</u>	<u>Description</u>	<u>Year</u>	<u>Price</u>
5	221-5	engine mount	66-94	850,--
6	221-6	connection plate, engine side panel, LH	83-94	32,--
6A	221-6A	connection plate, engine side panel, RH	83-94	32,--
7	221-7	stiffener, RH front	83-94	34,--
7A	221-7A	stiffener, LH front	83-94	34,--
8	221-8	extension, RH front	66-94	49,--
8A	221-8A	extension, LH front	66-94	49,--
9	221-9	rubber for air shield, front	83-94	6,--
11	221-11	retaining plate for battery	70-89	39,--
12	221-12	plastic tray for battery	66-94	35,90
13	221-13	fixation angle for battery	66-94	16,50
14	221-14	fixation rod for battery	66-94	9,--
14A	221-14A	wing nut for fixation angle for battery	66-94	1,30
16	221-16	connection plate for bumper mount, LH	83-94	38,--
16A	221-16A	connection plate for bumper mount, RH	83-94	38,--
17	221-17	connection plate for bumper mount	83-94	19,50
18	221-18	connection plate, air shield, LH	83-94	49,--
18A	221-18A	connection plate, air shield, RH	83-94	49,--
19	221-19	air routing box	78-89	245,--
20	221-20	lower traverse, rear, upper part of radiator box	70-77	51,--
21	221-21	lower traverse, rear, radiator box	83-89	39,50
22	221-22	traverse top force for seating of engine bonnet (hinge)	83-89	43,--
23	221-23	seating of upper transverse control arm, LH/RH	66-94	73,--



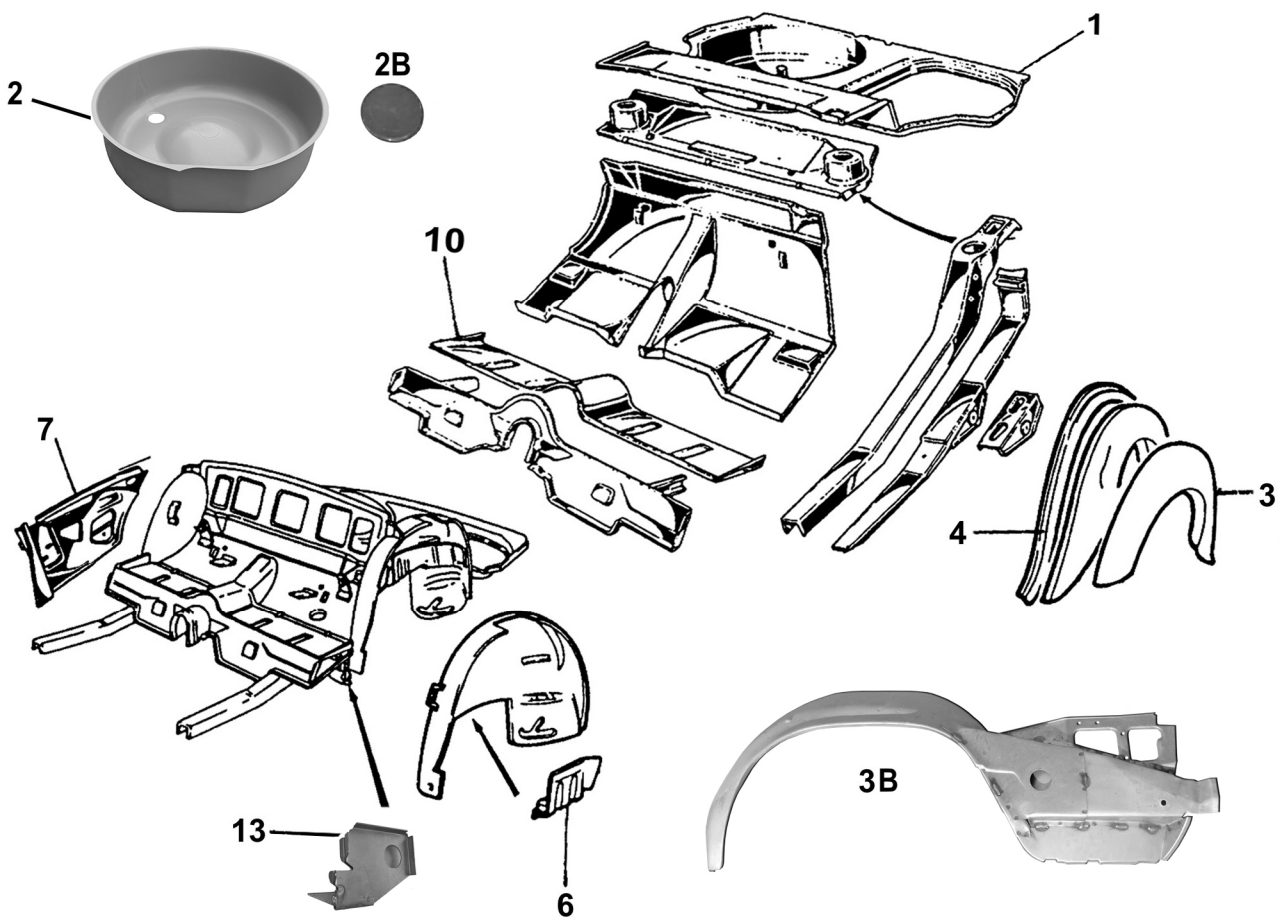
<u>Abb.</u>	<u>Item-nr.</u>	<u>Description</u>	<u>Year</u>	<u>Price</u> €
1	222-1	upper air shield	83-89	60,-- €
2	222-2	air shield RH	83-89	38,--
2A	222-2A	air shield LH	83-89	38,--
3	222-3	lower air shield small	83-89	18,--
4	222-4	lower air shield big	83-89	48,--
5	222-5	gasket for lower air shield	83-89	6,--
6	222-6	cross member for radiator box	83-89	89,--
7	222-7	stiffening, front, RH	83-89	Not available
7A	222-7A	stiffening, front, LH	83-89	33,30
8	222-8	air routing box	78-89	245,--
9	222-9	upper traverse, front, engine bonnet, seating of hinge	66-94	43,--
10	222-10	lower traverse, rear, upper part of radiator box	70-94	51,--
11	222-11	lower traverse, radiator box	70-94	39,50
12	222-12	upper traverse for radiator box	83-89	33,--
12A	222-12A	radiator grill mount	83-89	6,20
13	222-13	upper traverse	90-94	Not available
14	222-14	upper traverse for radiator box	90-94	33,--
16	222-16	air shield, RH	90-94	Not available
16A	222-16A	air shield, LH	90-94	Not available
17	222-17	air shield, LH	90-94	21,--
18	222-18	lower air shield	90-94	55,--
22	222-22	air shield, LH	90-94	24,--
22A	222-22A	air shield, RH	90-94	24,--



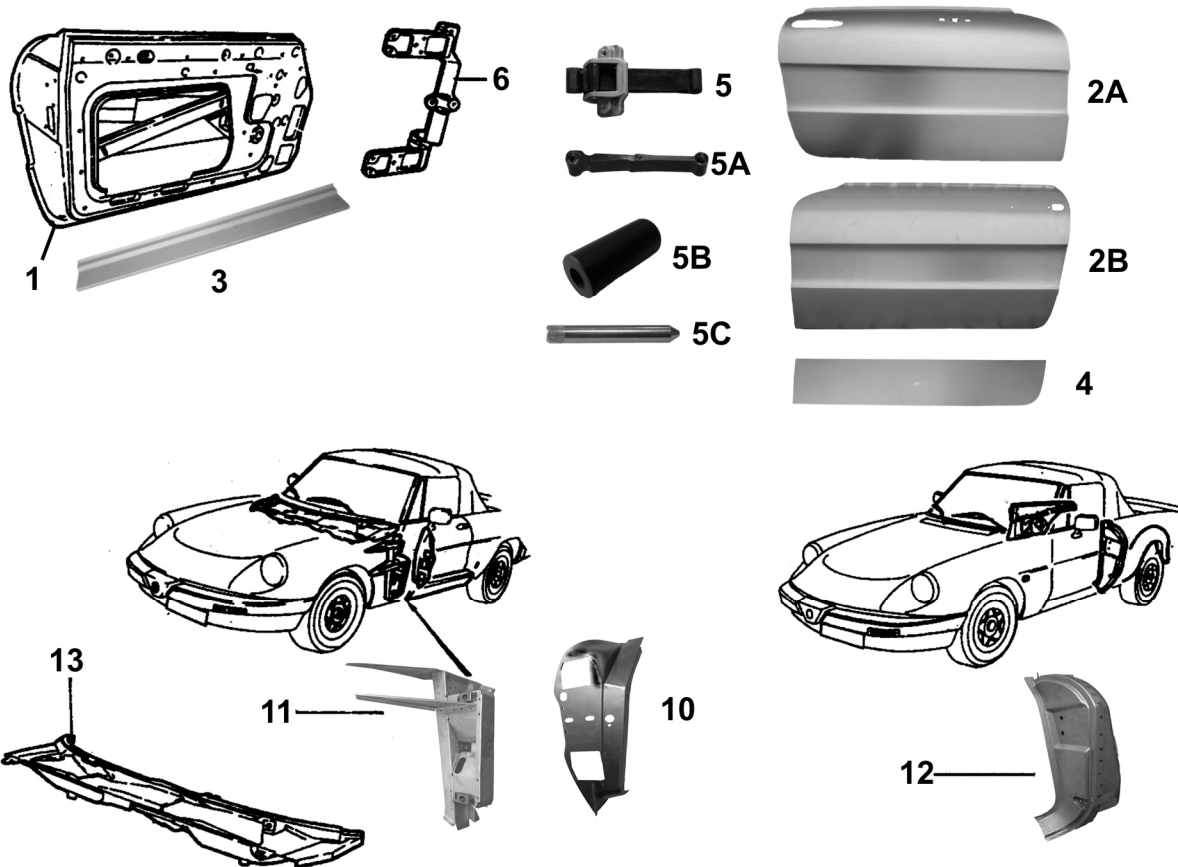
<u>Abb.</u>	<u>Item.nr.</u>	<u>Description</u>	<u>Year</u>	<u>Price</u> €
1	223-1	upper front plate	83-89	175,--
1A	223-1A	upper front plate	90-94	181,--
2	223-2	lower front plate, middle	83-89	72,--
3	223-3	lower front plate, LH	83-89	72,--
3A	223-3A	lower front plate, RH	83-89	72,--
3B	223-3B	radiator grille	83-89	150,--
4	223-4	stiffening for lower front plate, LH	83-89	21,--
4A	223-4A	stiffening for lower front plate, RH	83-89	21,--
5	223-5	connection plate, sideway, LH	83-94	39,--
5A	223-5A	connection plate, sideway, RH	83-94	39,--
6	223-6	plate mounting, sideway, RH	83-94	36,--
6A	223-6A	plate mounting, sideway, LH	83-94	36,--
7	223-7	lower stiffening, front	83-94	20,--
8	223-8	mudguard, front, LH	83-94	519,--
8B	223-8B	mudguard, front, RH	83-94	519,--
9	223-9	repair plate, rear, lower mudguard part, LH	83-94	65,--
9A	223-9A	repair plate, rear, lower mudguard part, RH	83-94	65,--
10	223-10	headlight retaining plate, LH	83-94	56,--
10A	223-10A	headlight retaining plate, RH	83-94	56,--
11	223-11	splash guard, front, LH	83-89	72,--
11A	223-11A	splash guard, front, RH	83-89	72,--
12	223-12	splash guard, rear, LH	83-94	39,--
12A	223-12A	splash guard, rear, RH	83-94	39,--
13	223-13	wiper cover sheet plate	83-94	216,--
14	223-14	rubber for wiper sheet plate, sideway	66-94	24,--
14A	223-14A	rubber in front for wiper sheet plate	66-94	25,--
18	223-18	engine bonnet	83-94	599,--
19	223-19	hinge for engine bonnet	93-94	30,--
20	223-20	mount for hinge (engine bonnet)	83-94	14,--
21	223-21	distance spout between bumper and front plate	83-94	4,10



<u>Abb.</u>	<u>Item.nr.</u>	<u>Description</u>	<u>Year</u>	<u>Price</u> €
1	224-1	outer sillboard, zinc-plated, LH	66-94	45,--
1A	224-1A	outer sillboard, zinc-plated, RH	66-94	45,--
3	224-3	middle sillboard, zinc-plated, LH	66-94	183,--
3A	224-3A	middle sillboard, zinc-plated, RH	66-94	183,--
4	224-4	inner sillboard, zinc-plated, LH	66-94	223,--
4A	224-4A	inner sillboard, zinc-plated, RH	66-94	223,--
5	224-5	intermediate plate at sillboard, inside, LH	66-94	71,--
5A	224-5A	intermediate plate at sillboard, inside, RH	66-94	71,--
6	224-6	intermediate plate for foot well, inside, LH	66-94	89,--
6A	224-6A	intermediate plate for foot well, inside, RH	66-94	89,--
7	224-7	left floor panel, front, standing pedals	66-69	149,--
7A	224-7A	left floor panel, front, hanging pedals	70-94	149,--
7B	224-7B	right floor panel, front	66-94	149,--
7C	224-7C	support seat slide outside, left or right	66-94	41,--
7D	224-7D	support seat slide rear inside, left or right	70-94	20,--
7E	224-7E	support seat slide in front inside, left or right	70-94	19,--
8	224-8	left floor panel, rear	66-69	185,--
8A	224-8A	right floor panel, rear	66-69	185,--
8B	224-8B	left floor panel, rear	70-94	180,--
8C	224-8C	right floor panel, rear	70-94	180,--
10	224-10	jack seating, front, LH/RH	66-87	25,--
10A	224-10A	car - jack seating, in front right or left	87-94	25,--
11	224-11	lower traverse member, floor panel, LH	66-94	121,--
11A	224-11A	lower traverse member, floor panel, RH	66-94	121,--
12	224-12	longitudinal chassis beam under floor panel zinc-plated, front, LH	66-94	118,--
12A	224-12A	longitudinal chassis beam under floor panel zinc-plated, front, RH	66-94	118,--
12B	224-12B	longitudinal chassis beam under floor panel, front left zinc plated stand. pedals	63-69	174,--
13	224-13	cover for longitudinal chassis beam zinc-plated, front, LH	66-94	95,--
13A	224-13A	cover for longitudinal chassis beam zinc-plated, front, RH	66-94	95,--
14	224-14	pedal plate Spider, standing pedals	63-70	85,--
14A	224-14A	pedal plate, standing pedals	66-69	59,--
15	224-15	rubber stopper for floor panel or spare wheel tray	70-94	4,--
16	224-16	Cover plate f. clutch master cylinder, standing ped, Spider, Gt, Giulia	63,69	63,--



<u>Abb.</u>	<u>Item.nr.</u>	<u>Description</u>	<u>Year</u>	<u>Price</u> €
1	225-1	boot floor without spare wheel tray	66-69	375,--
1A	225-1A	boot floor without spare wheel tray	70-94	375,--
1B	225-1B	Retaining plate f. exhaust under luggage compartment floor	63-94	14,--
1C	225-1C	stiffening plate f. boot floor	63-94	49,--
2	225-2	spare wheel tray	66-94	125,--
2B	225-2B	rubber stopper for floor panel or spare wheel tray	66-94	4,--
3	225-3	outer wheel house, LH	66-94	165,--
3A	225-3A	outer wheel house, RH	66-94	165,--
3B	225-3B	outer wheel house, LH, with extension and stiffening for trunk	66-94	495,--
3C	225-3C	outer wheel house, RH, with extension and stiffening for trunk	66-94	495,--
4	225-4	wheel house, middle left	66-94	125,--
4A	225-4A	wheel house, middle right	66-94	125,--
6	225-6	fixation plate for stopper gum, LH	66-94	36,--
6A	225-6A	fixation plate for stopper gum, RH	66-94	36,--
7	225-7	inner side frame, rear, LH	66-94	135,--
7A	225-7A	inner side frame, rear, RH	66-94	135,--
8	225-8	reinforcement plate cross member/axle mount rear		26,--
10	225-10	complete floor panel under rear bench	66-94	225,--
13	225-13	jack support seating rear, LH or RH	66-87	49,--
13A	225-13A	jack support seating rear, left	87-94	34,--
13B	225-13B	jack support seating rear, right	87-94	34,--



<u>Abb.</u>	<u>Item-nr.</u>	<u>Description</u>	<u>Year</u>	<u>Price</u> €
1	226-1	left door 1300 / 1600 / 1750	66-69	670,--
1A	226-1A	right door 1300 / 1600 / 1750	66-69	670,--
1B	226-1B	left door 1600 of 78-94; 2,0 of 70-94	70-94	639,--
1C	226-1C	right door 1600 of 78-94; 2,0 of 70-94	70-94	639,--
1D	226-1D	door frame inside, left, with hole for waste water	66-94	160,--
1E	226-1E	door frame inside, right, with hole for waste water	66-94	130,--
1G	226-1G	left door 1300-1600	70-78	659,--
1H	226-1H	right door 1300-1600	70-78	659,--
2	226-2	door body shell, LH	70-94	250,--
2A	226-2A	door body shell, RH	70-94	250,--
2B	226-2B	left door body shell 1300-1600	66-78	285,--
2C	226-2C	right door body shell 1300-1600	66-78	285,--
3	226-3	repair plate for lower door edge, bottom, LH/ RH	66-94	19,50
4	226-4	repair plate for door body shell, lower left, 16,5 cm high	66-94	63,--
4A	226-4A	repair plate for door body shell, lower right, 16,5 cm high	66-94	63,--
5	226-5	door catch strap, LH/RH	66-94	58,--
5A	226-5A	repair set for door catch strap	66-94	29,--
5B	226-5B	plastic roller for door catch strap	66-94	2,50
5C	226-5C	eyebolt for door catch strap	66-94	2,70
6	226-6	left or right door hinge	66-94	280,--
8	226-8	fixation screw for door	66-94	2,60
10	226-10	outer a-pillar, LH	66-94	149,--
10A	226-10A	outer a-pillar, RH	66-94	149,--
11	226-11	inner a-pillar, LH	66-94	254,--
11A	226-11A	inner a-pillar, RH	66-94	254,--
12	226-12	b-pillar, LH	66-94	248,--
12A	226-12A	b-pillar, RH	66-94	248,--
13	226-13	wiper tray	66-94	345,--

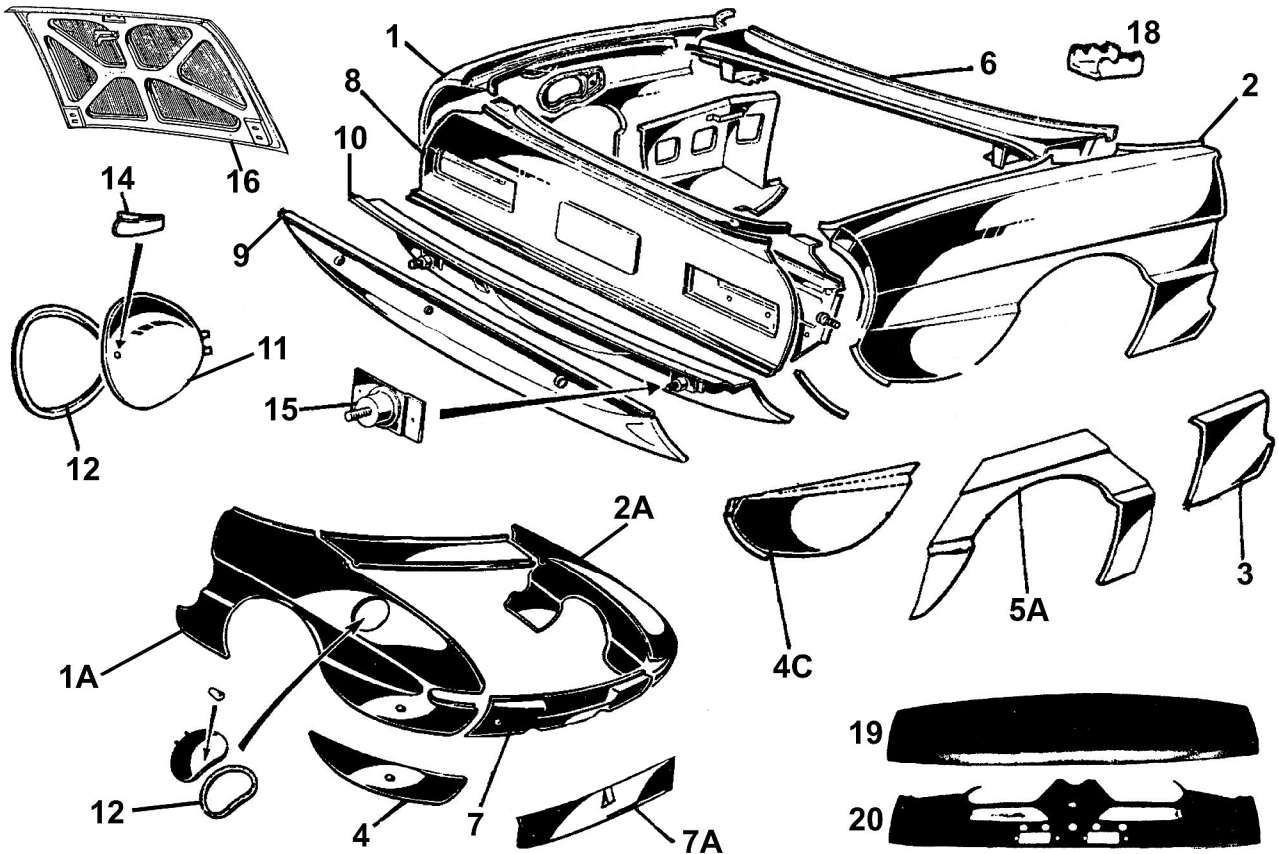
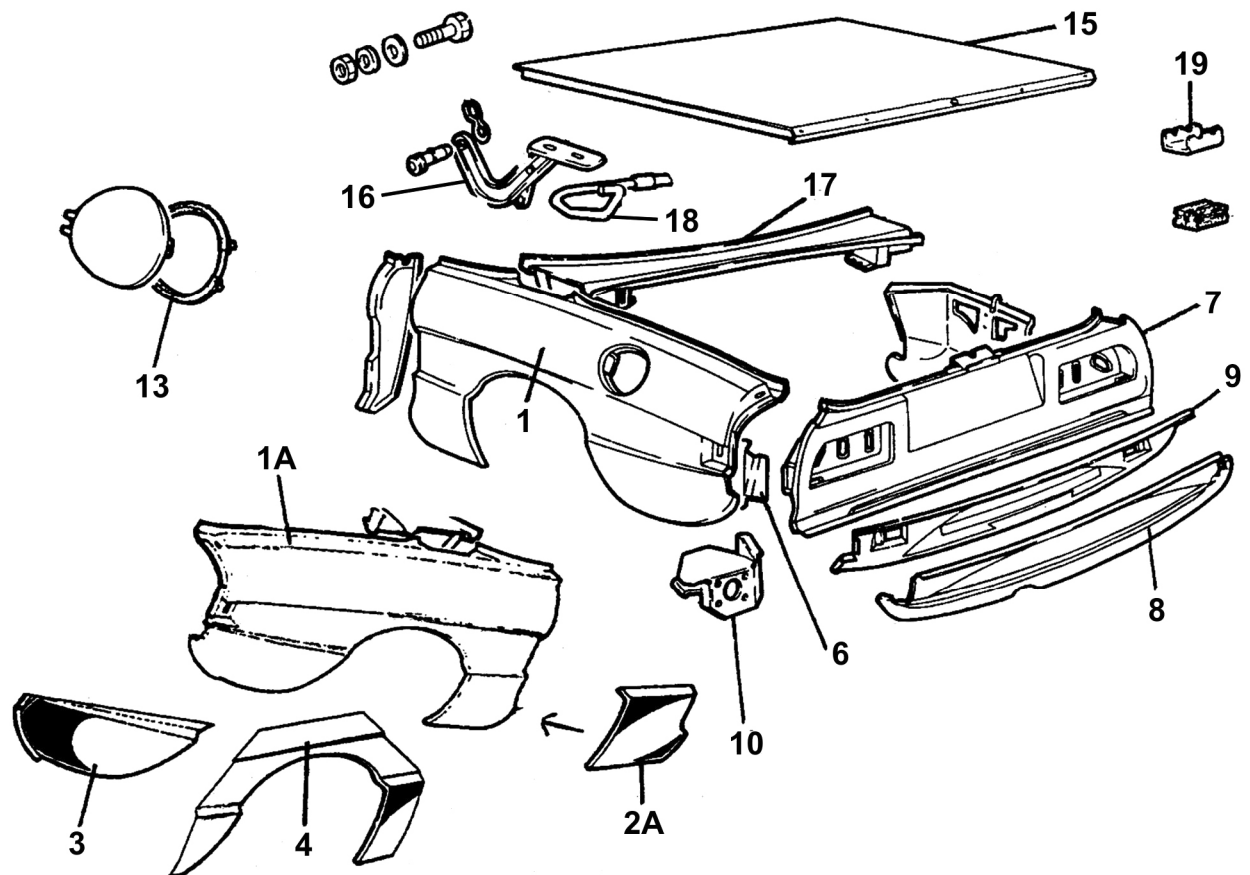
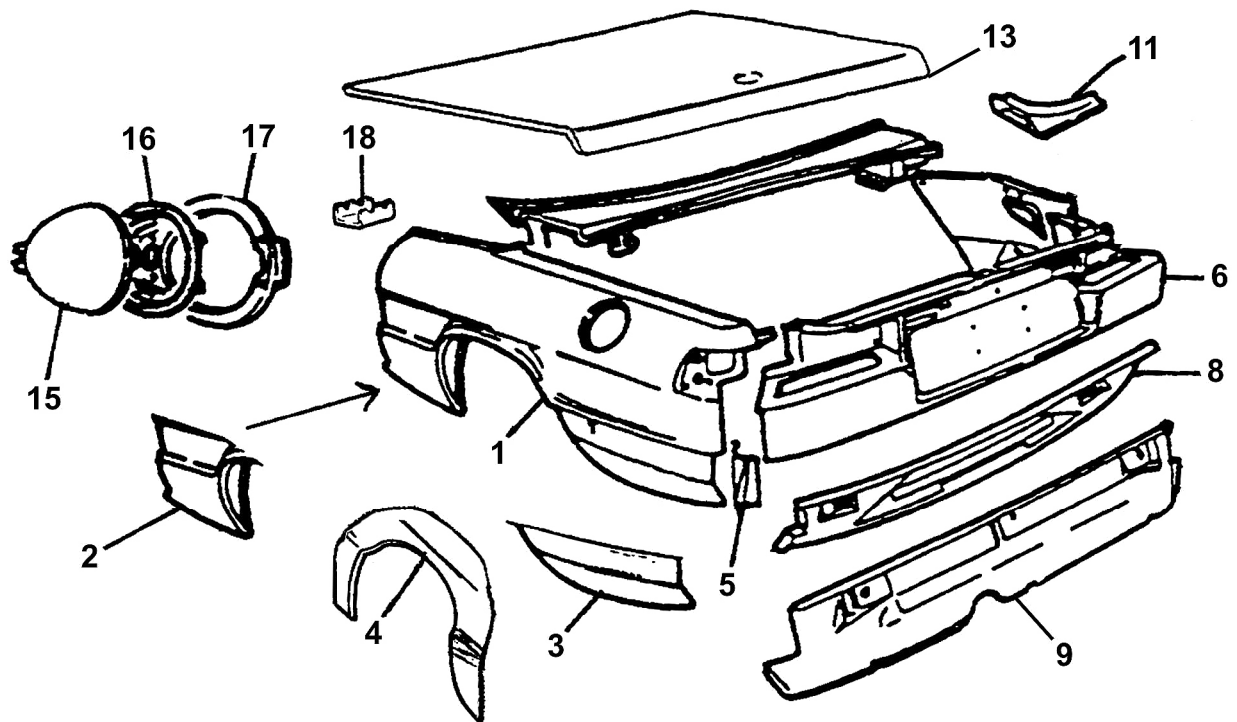


Abb.	Item-nr.	Description	Year	Price
1	227-1	mudguard, rear, LH	70-82	570,-- €
1A	227-1A	Mudguard rear, LH	66-69	1099,--
2	227-2	mudguard, rear, RH	70-82	570,--
2A	227-2A	Mudguard, rear, RH	66-69	1099,--
3	227-3	repair plate for mudguard, front coign, RH	66-82	44,--
3A	227-3A	repair plate for mudguard, front coign, LH	66-82	44,--
4	227-4	repair plate for mudguard, rear coign, LH, 20 cm high	66-69	139,--
4A	227-4A	repair plate for mudguard, rear coign, LH	70-82	45,--
4B	227-4B	repair plate for mudguard, rear coign, RH, 20 cm high	66-69	139,--
4C	227-4C	repair plate for mudguard, rear coign, RH	70-82	45,--
5	227-5	repair plate for wheel arch, LH	66-82	45,--
5A	227-5A	repair plate for wheel arch, RH	66-82	45,--
6	227-6	fixation plate for top upper part	70-94	250,--
7	227-7	upper external rear end plate	66-69	360,--
7A	227-7A	lower internal rear end plate	66-69	135,--
8	227-8	complete upper external rear end plate	70-82	339,--
8A	227-8A	rear end plate body shell	70-82	198,--
9	227-9	lower external rear end plate	70-82	102,--
10	227-10	rear end plate	70-82	89,--
12	227-12	gasket for tank shutter	66-82	12,50
14	227-14	chrome tank shutter lobe	66-82	19,--
14A	227-14A	fixation screw for chrome tank shutter lobe	66-82	2,20
15	227-15	bumper mount	70-82	30,--
16	227-16	Boot lid	70-82	539,--
18	227-18	retaining spring mount for boot lid	70-82	14,--
18A	227-18A	set luggage boot retaining spring	70-82	79,--
18B	227-18B	set luggage boot retaining spring	66-69	93,50
19	227-19	body shell for half luggage boot , 25,5 cm	66-69	193,--
20	227-20	frame inside for luggage boot , 25,5 cm	66-69	258,--



<u>Abb.</u>	<u>Item-nr.</u>	<u>Description</u>	<u>Year</u>	<u>Price</u> €
1	228-1	mudguard, rear, LH	83-89	570,--
1A	228-1A	mudguard, rear, RH	83-89	570,--
2	228-2	repair plate for mudguard, front coign, LH	83-89	44,--
2A	228-2A	repair plate for mudguard, front coign, RH	83-89	44,--
3	228-3	repair plate for mudguard, rear coign, RH	83-89	45,--
3A	228-3A	repair plate for mudguard, rear coign, LH	83-89	45,--
4	228-4	repair plate for wheel arch, LH	83-89	45,--
4A	228-4A	repair plate for wheel arch, RH	83-89	45,--
6	228-6	connection plate, rear, RH	83-89	33,30
6A	228-6A	connection plate, rear, LH	83-89	33,30
7	228-7	upper rear end plate, complete	83-89	280,--
7A	228-7A	upper rear end plate, body shell without internal support	83-89	190,--
8	228-8	lower external (zincked) rear end plate	83-89	125,--
9	228-9	lower internal rear end plate (zincked)	83-89	89,--
10	228-10	bumper mount, LH	83-89	99,--
10A	228-10A	bumper mount, RH	83-89	99,--
13	228-13	gasket for tank shutter	83-89	12,50
15	228-15	boot lid	83-89	490,--
16	228-16	left boot hinge	70-89	95,--
16A	228-16A	right boot hinge	70-89	95,--
17	228-17	fixation plate for top upper part	70-94	250,--
18	228-18	set retaining spring for boot lid	83-89	79,--
19	228-19	retaining spring mount, boot lid	83-89	14,--



<u>Abb.</u>	<u>Item.nr.</u>	<u>Description</u>	<u>Year</u>	<u>Price</u> €
1	229-1	mudguard, zincked metal sheet, rear, LH	90-94	570,--
1A	229-1A	mudguard, zincked metal sheet, rear, RH	90-94	570,--
2	229-2	repair plate for mudguard, front, LH	90-94	44,--
2A	229-2A	repair plate for mudguard, front, RH	90-94	44,--
3	229-3	lower repair plate for mudguard, rear, LH	90-94	45,--
3A	229-3A	lower repair plate for mudguard, rear, RH	90-94	45,--
4	229-4	repair plate for wheel arch, rear, LH	90-94	45,--
4A	229-4A	repair plate for wheel arch, rear, RH	90-94	45,--
5	229-5	connection plate, LH	90-94	36,--
5A	229-5A	connection plate, RH	90-94	36,--
6	229-6	complete upper rear end plate, zincked metal sheet	90-94	390,--
6A	229-6A	upper rear end plate, only body shell, zincked metal sheet	90-94	269,--
8	229-8	lower internal rear end plate, zincked metal sheet	90-94	95,--
9	229-9	lower external rear end plate, zincked metal sheet	90-94	125,--
10	229-10	bumper mount, LH	90-94	99,--
10A	229-10A	bumper mount, RH	90-94	99,--
11	229-11	connection plate, RH	90-94	29,--
11A	229-11A	connection plate, LH	90-94	29,--
13	229-13	boot lid, zincked metal sheet	90-94	490,--
14	229-14	fixation plate for top upper part	90-94	250,--
16	229-16	gasket for tank shutter	90-94	12,50
17	229-17	tank shutter bracing	90-94	105,--
18	229-18	retaining spring mount, boot lid	90-94	14,--
19	229-19	set spring mount, boot lid	90-94	79,--

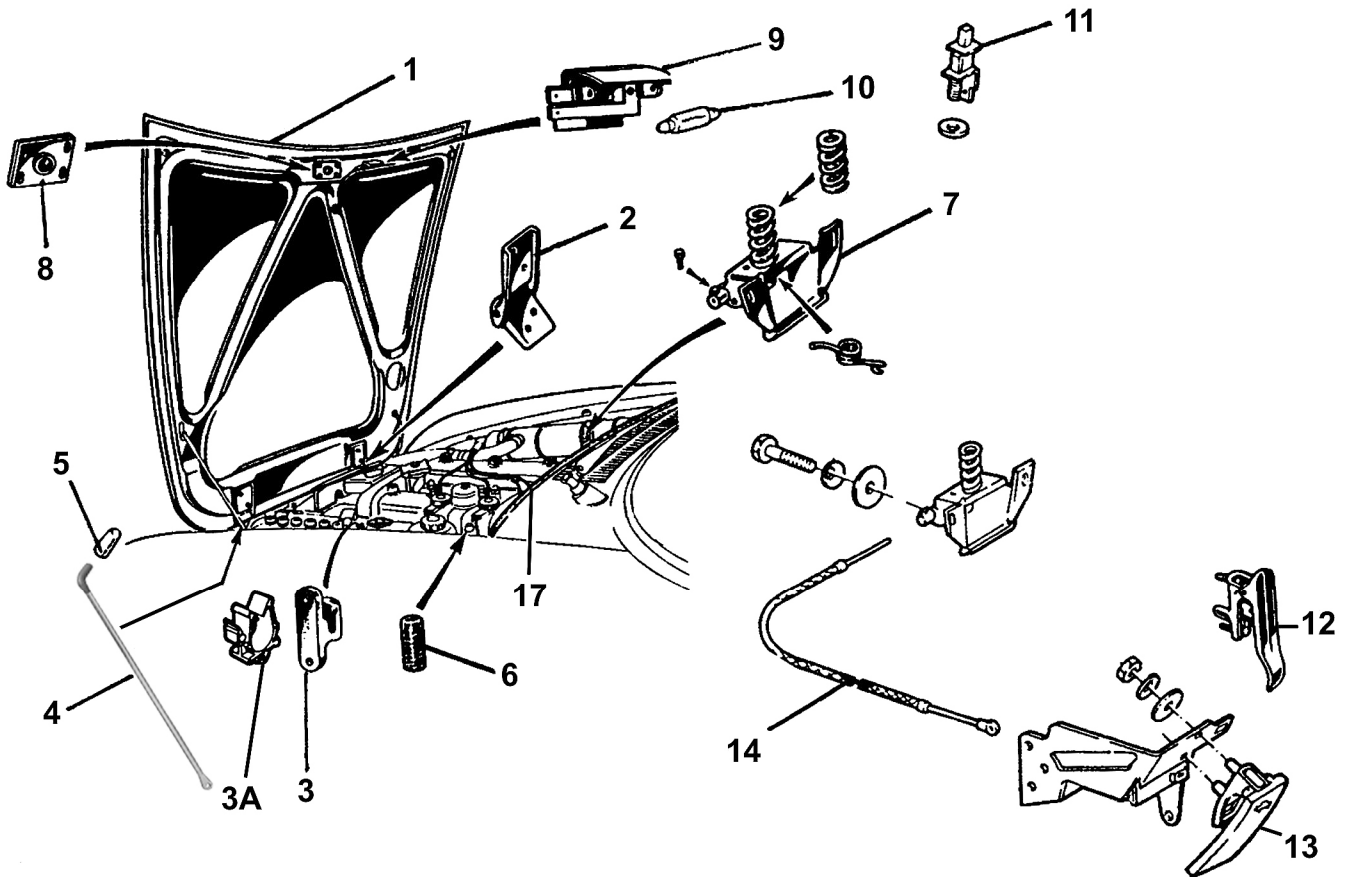
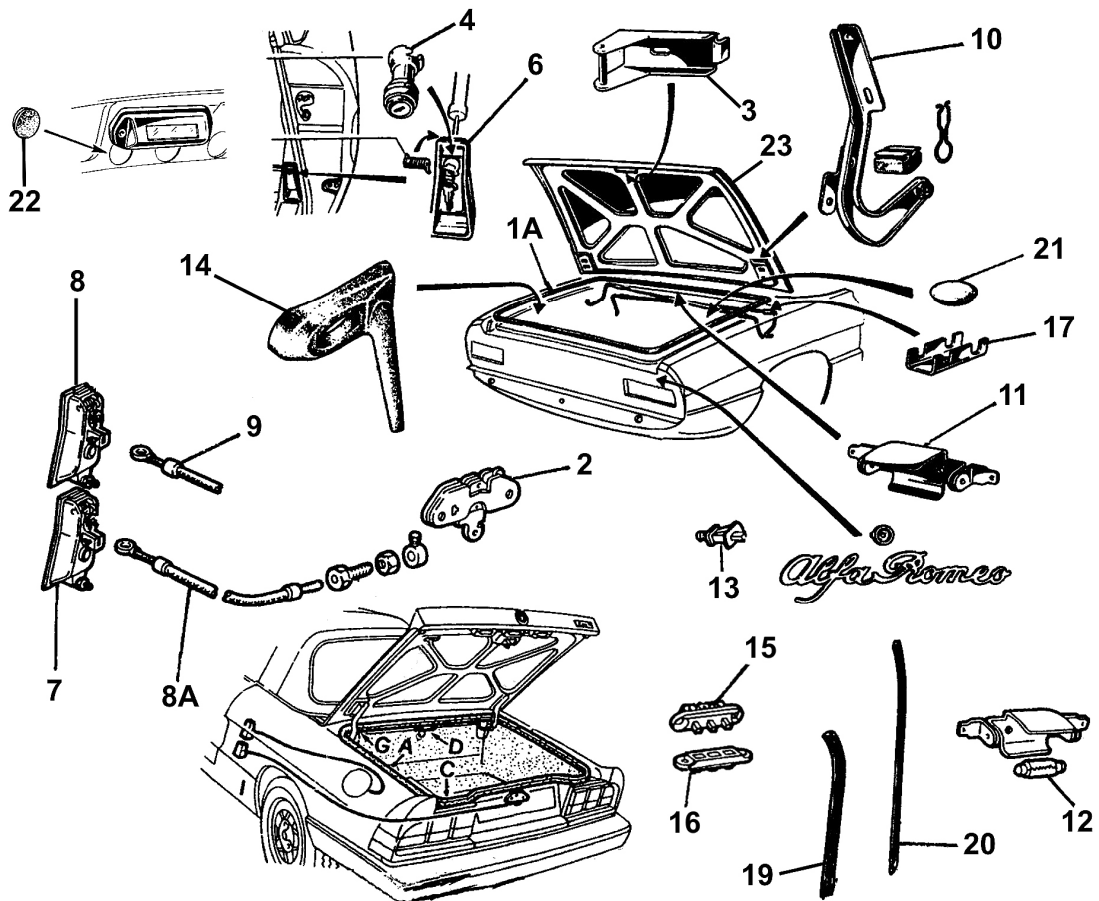
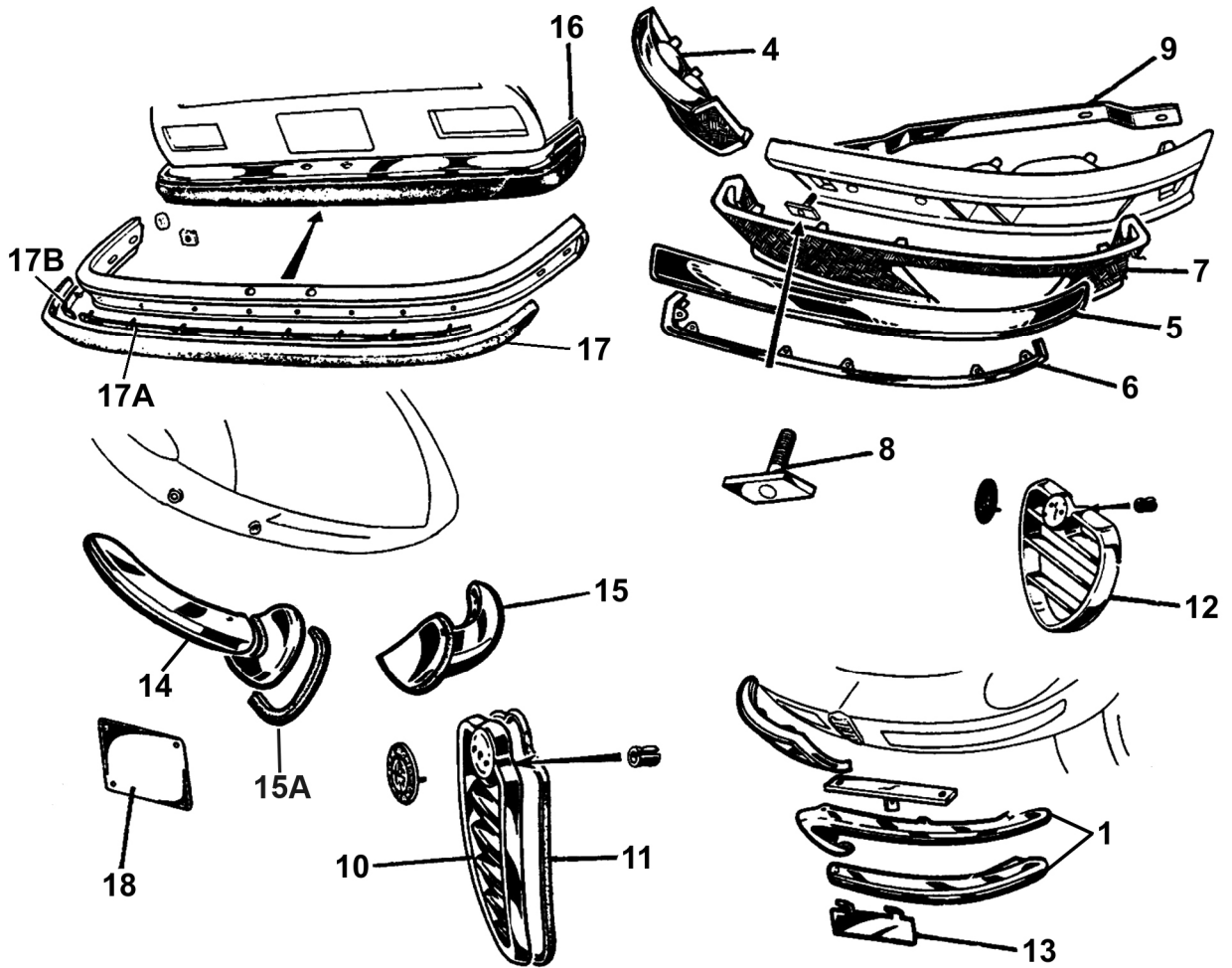


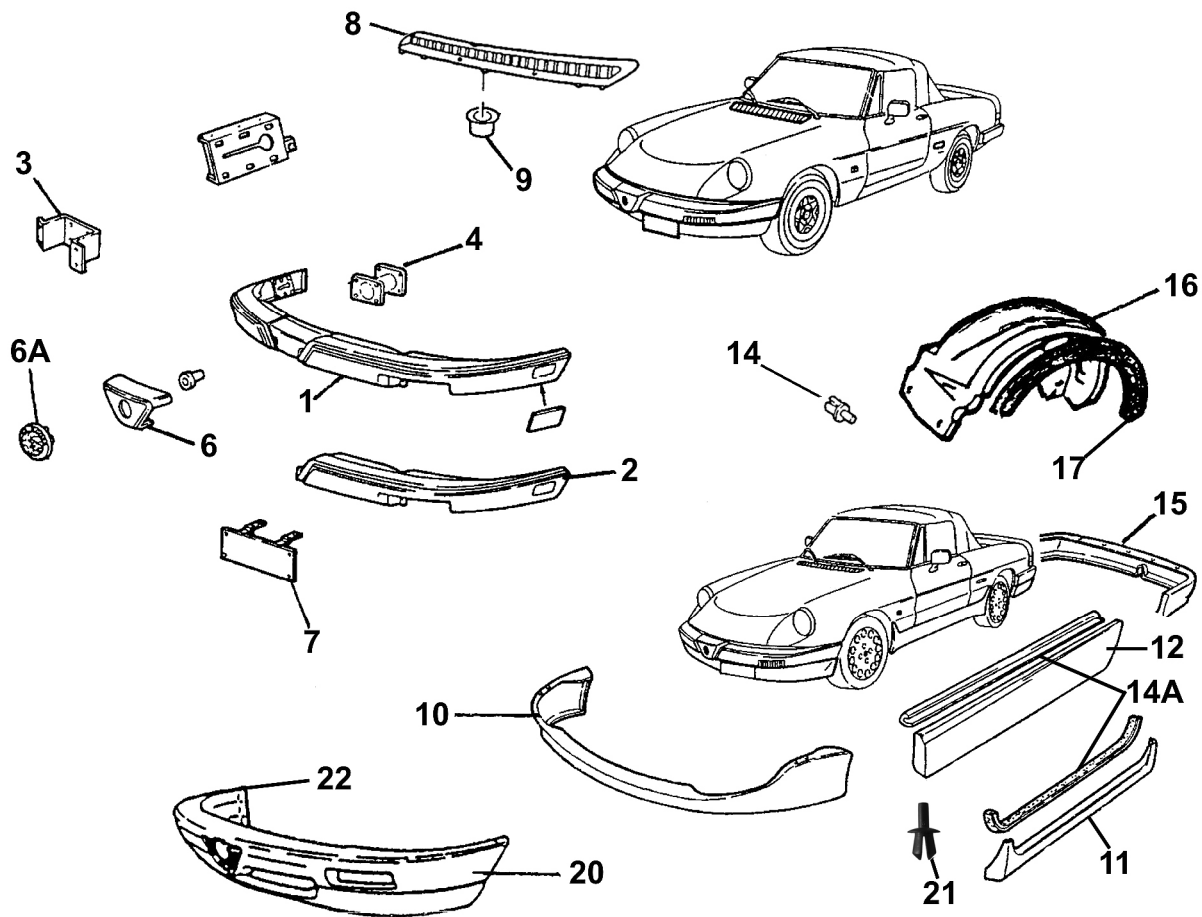
Abb.	Item-nr	Description	Year	Price €
1	230-1	engine bonnet	66-94	599,--
2	230-2	hinge for engine bonnet	66-94	26,--
3	230-3	retainer engine bonnet mount	66-89	15,--
3A	230-3A	retainer engine bonnet mount	90-94	21,--
3B	230-3B	Fixation screw for retainer engine bonnet mount	66-89	1,--
4	230-4	engine bonnet mount with rubber, red	66-94	39,--
4A	230-4A	engine bonnet mount with rubber, blue	66-94	29,--
5	230-5	rubber cap for engine bonnet mount	66-94	3,10
6	230-6	rubber overlay for engine bonnet	66-94	4,--
7	230-7	engine bonnet locking	66-94	60,--
7A	230-7A	repair set springs for bonnet lock, Spider, Bertone, Giulia	63-94	34,--
8	230-8	complement to engine bonnet locking, Spider, GT, Bertone, Zagato	66-94	29,--
9	230-9	lighting f. glove box, engine or rear bonnet	66-94	23,--
9A	230-9A	lead-through rubber for cable /engine bonnet	66-94	1,60
10	230-10	bulb for engine compartment lighting	66-94	2,10
11	230-11	touch sensitive switch f. engine-, motor bonnet or glove box light	66-94	10,--
12	230-12	engine bonnet opener	66-86	79,--
12A	23012A	spring for handle engine bonnet opener	58-94	6,--
13	230-13	engine bonnet opener	87-94	75,--
14	230-14	linkage for engine bonnet release	66-94	19,--
14A	230-14A	rubber guide for bonnet cable	63-94	2,--
16	230-16	operating lever for choke	87-94	45,--
17	230-17	gasket for engine bonnet, cowl	66-94	25,--



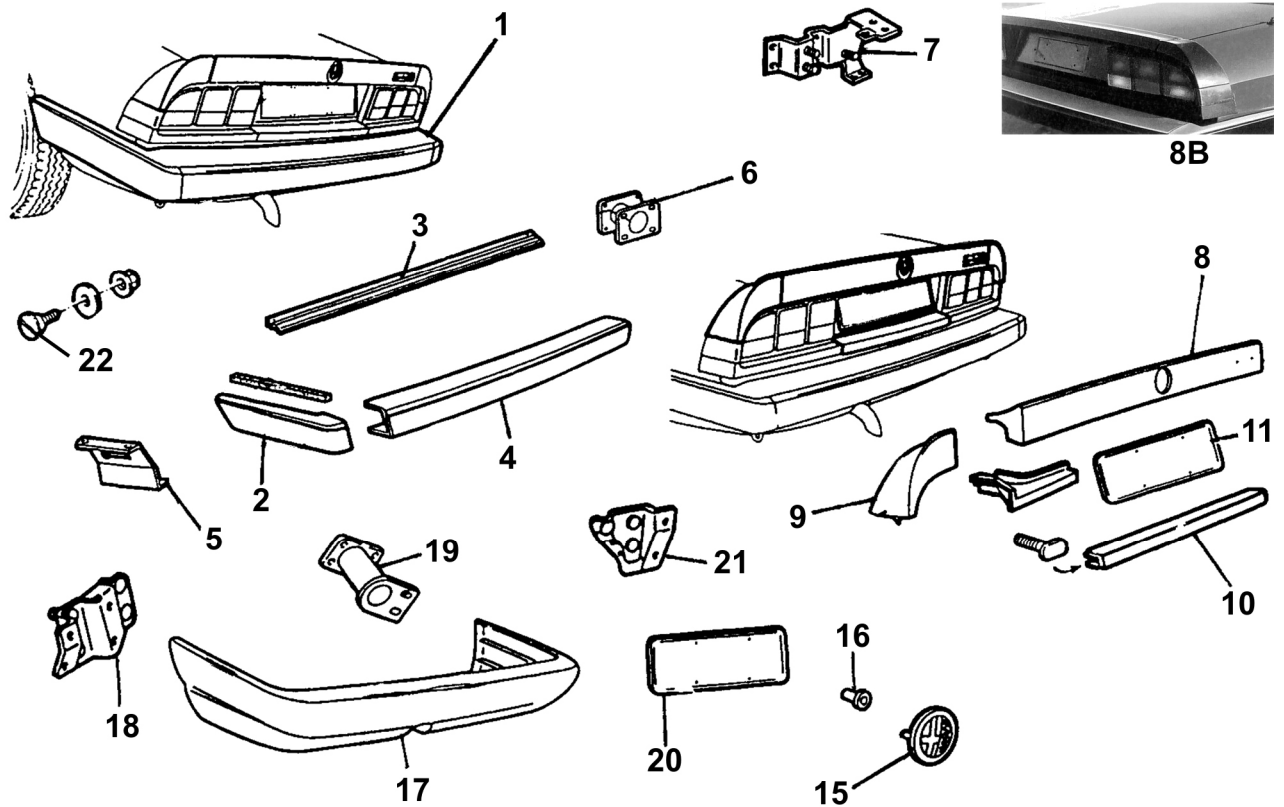
<u>Abb.</u>	<u>Item-nr</u>	<u>Description</u>	<u>Year</u>	<u>Price</u> €
1	231-1	boot gasket	66-69	55,--
1A	231-1A	gasket for boot	70-94	26,50
2	231-2	boot locking	70-94	45,--
3	231-3	complement to boot locking	70-94	20,--
4	231-4	key cylinder for boot or tank shutter	66-94	39,--
6	231-6	boot opener with lever without lock cylinder	66-82	85,--
7	231-7	boot opener with lever and symbol	66-94	85,--
8	231-8	opener for tank shutter with lever and symbol	87-94	85,--
8A	231-8A	linkage for boot release	66-94	17,90
8B	231-8B	fixation clamp for boot wire at the lock	66-94	6,--
9	231-9	linkage for tank shutter lock	87-94	17,90
10	231-10	boot hinge sx	70-82	95,--
10A	231-10A	boot hinge dx	70-82	95,--
10B	231-10B	Hinge pin for boot lid		8,--
11	231-11	lighting for glove box, engine or rear bonnet	66-94	25,--
12	231-12	bulb for boot lighting	66-94	2,10
13	231-13	touch sensitive switch for boot lighting	66-94	10,--
14	231-14	rubber sleeve for tank neck	66-94	68,--
15	231-15	contact plate for license number lighting	83-89	21,--
16	231-16	contact plate for boot	83-89	11,25
17	231-17	mounting for boot lid retaining spring	70-94	14,--
18	231-18	kit (2) boot stopper gum	70-82	14,--
19	231-19	waste water hose, b-pillar, middle sillboard	66-94	17,--
20	231-20	waste water hose, boot, middle sillboard	66-94	18,--
21	231-21	rubber stopper for floor panel or spare wheel tray	66-94	4,--
22	231-22	rubber stopper for lower edge of boot lid	66-69	4,--
23	231-23	rear end shutter	70-82	539,--
23A	231-23A	boot	83-89	490,--
23B	231-23B	stopper gum for boot	82-94	4,--
23C	231-23C	boot	90-94	490,--



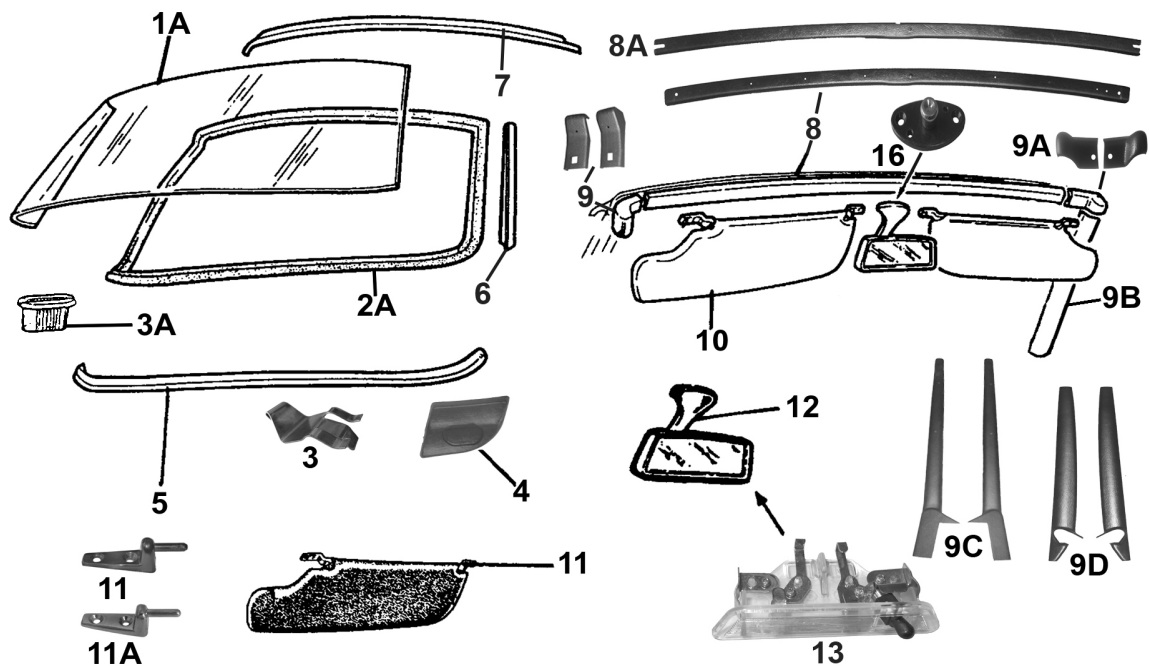
<u>Abb.</u>	<u>Item-nr.</u>	<u>Description</u>	<u>Year</u>	<u>Price</u> €
1	232-1	complete left bumper coign, front	66-69	615,--
2	232-2	complete left bumper, front	66-69	615,--
3	232-3	left bumper coign with turn signal light, front	70-82	435,--
4	232-4	set bumper coign with turn signal light, front	70-82	890,--
5	232-5	upper stainless steel cover for bumper, LH	70-82	89,--
5A	232-5A	upper stainless steel cover for bumper, RH	70-82	89,--
6	232-6	lower stainless steel cover for bumper, LH	70-82	79,--
6A	232-6A	lower stainless steel cover for bumper, RH	70-82	79,--
7	232-7	rubber overlay for bumper, LH	70-82	169,--
7A	232-7A	rubber overlay for bumper, RH	70-82	169,--
8	232-8	fixation for front bumper, sidaway	70-82	11,--
9	232-9	front bumper relay, LH/RH	70-82	29,--
10	232-10	radiator grill	66-69	395,--
11	232-11	gasket for radiator grill (83 cm long)	66-69	10,--
12	232-12	radiator grill	70-82	159,--
13	232-13	mounting for license number, front	66-82	25,--
14	232-14	complete left bumper coign, rear	66-69	449,--
15	232-15	complete right bumper coign, rear	66-69	449,--
15A	232-15A	rubber for bumpers horn	66-69	25,--
16	232-16	complete bumper, rear	70-82	699,--
17	232-17	rubber overlay for bumper, rear	70-82	215,--
17A	232-17A	fixation bar for rubber overlay, bumper, rear	70-82	55,--
18	232-18	license number mount, rear	66-82	25,--
19	232-19	chrome frame for license number, rear	66-82	16,--



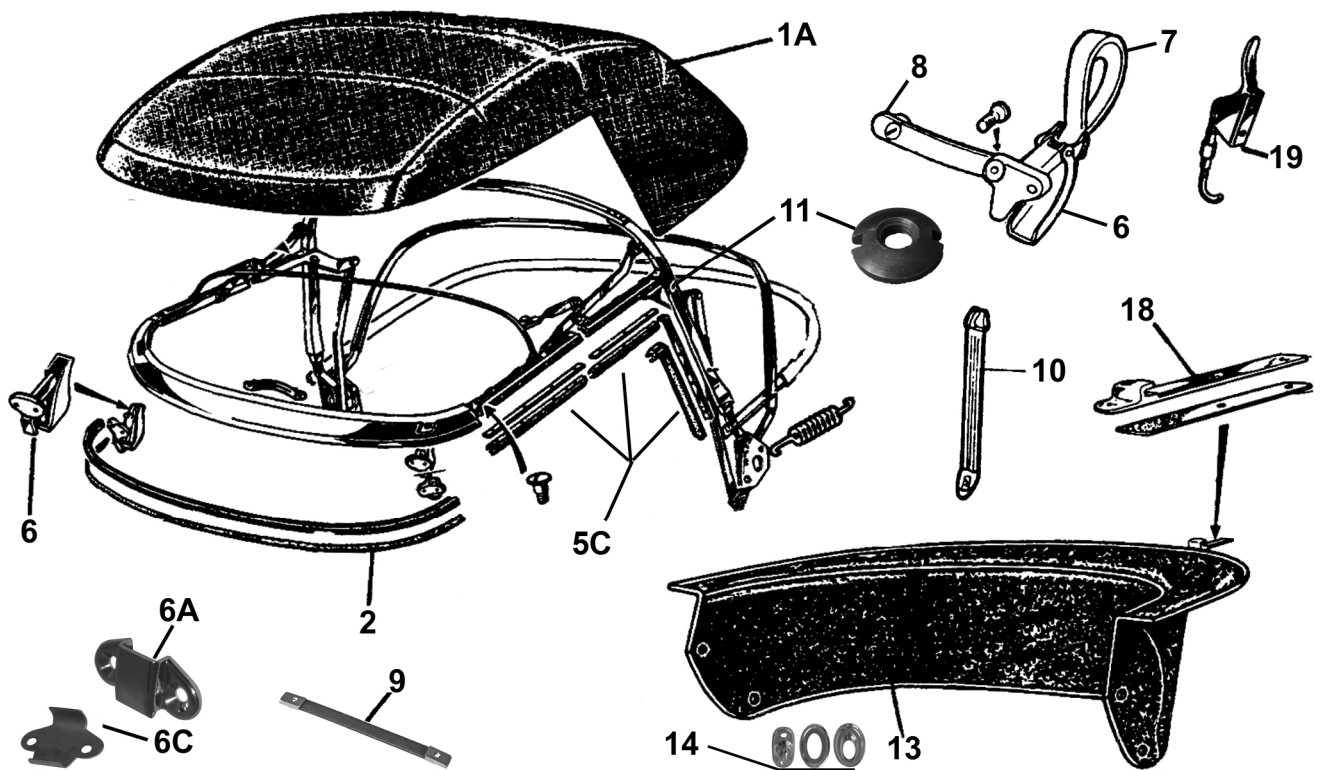
<u>Abb.</u>	<u>Item.nr.</u>	<u>Description</u>	<u>Year</u>	<u>Price</u> €
1	233-1	complete front bumper	83-89	895,--
2	233-2	left half of front bumper	83-89	325,--
2A	233-2A	right half of front bumper	83-89	325,--
3	233-3	left bumper mounting	90-94	71,--
3A	233-3A	right bumper mounting	90-94	71,--
4	233-4	left or right bumper seating	83-94	95,--
6	233-6	radiator grill	83-89	148,--
5	233-5	Fastening clip for front or rear bumper, to bodywork		4,30
6A	233-6A	Alfa Romeo emblem 75 mm	83-94	22,--
6B	233-6B	Trim strip for radiator grill, (64 cm)	83-89	15,--
7	233-7	license number mount, front	83-94	38,--
8	233-8	air grille for wiper cover	83-94	175,--
9	233-9	fixation spout for air grille	83-94	4,--
10	233-10	front spoiler	83-89	400,--
11	233-11	left sill board covering, different colours	83-89	190,--
11A	233-11A	right sill board covering, different colours	83-89	190,--
12	233-12	left sill board covering	90-94	190,--
13	233-13	right sill board covering	90-94	190,--
14	233-14	fixation rivet for sill board cover and wheel arch	83-94	1,50
14A	233-14A	gasket for sill board covering, sideways, left or right, 1,90 m	83-94	14,--
15	233-15	lower rear spoiler	83-89	330,--
16	233-16	inner plastic wheel arch cover, front, LH	66-94	99,--
16A	233-16A	inner plastic wheel arch cover, front, RH	66-94	99,--
17	233-17	gasket for wheel arch cover	66-94	17,90
19	233-19	radiator grill grid mount	83-89	7,50
20	233-20	complete bumper with emblem	90-94	1700,--
21	233-21	rivet for wheel arch fastening		1,50
22	233-22	fixation screw sideways for bumper	83-94	7,50



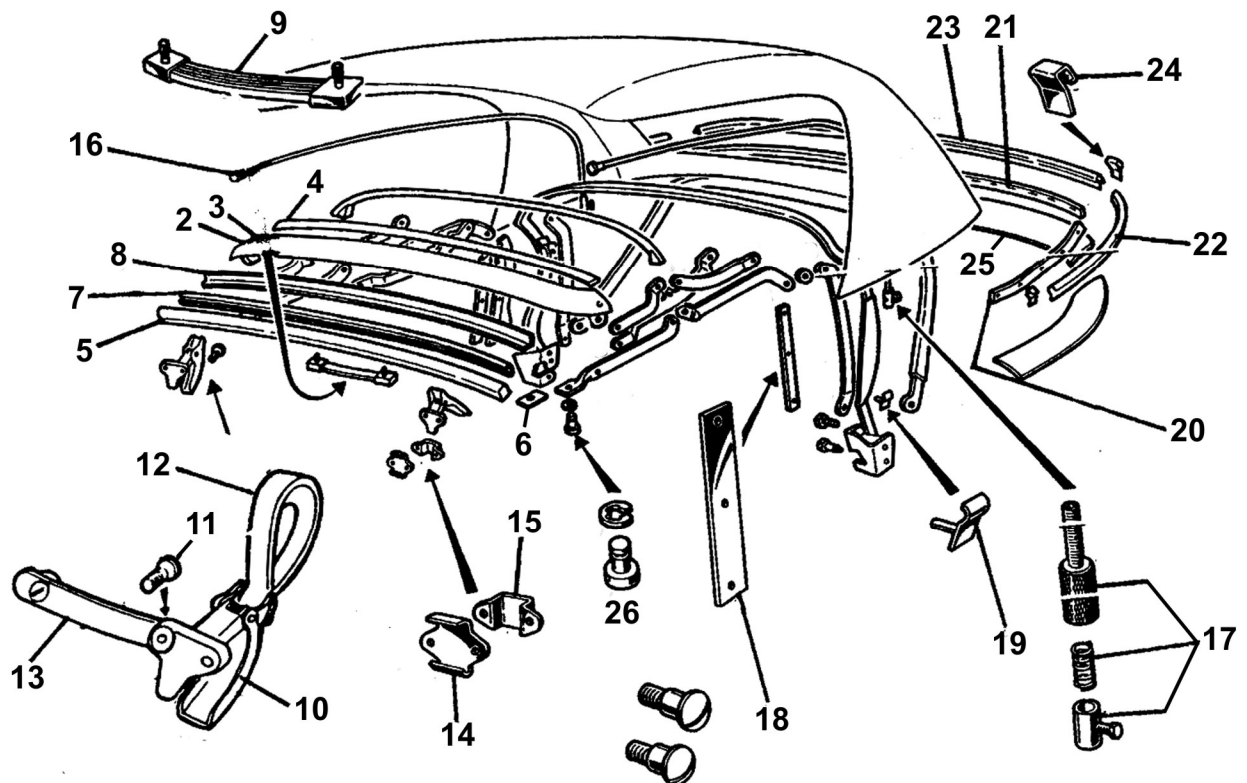
<u>Abb.</u>	<u>Item-nr.</u>	<u>Description</u>	<u>Year</u>	<u>Price</u> €
1	234-1	complete bumper, rear	83-89	1050,-
2	234-2	left bumper coign	83-89	329,-
2A	234-2A	right bumper coign	83-89	329,-
3	234-3	gasket for bumper, rear, middle	83-89	45,-
3A	234-3A	gasket for bumper, rear, LH/RH	83-89	10,-
4	234-4	bumper centrepiece, rear	83-89	358,-
5	234-5	left bumper mounting	83-89	45,-
5A	234-5A	right bumper mounting	83-89	45,-
6	234-6	bumper mounting, rear	83-89	80,-
7	234-7	mount, LH, sideway	83-89	79,-
7A	234-7A	mount, RH, sideway	83-89	79,-
8A	234-8A	spoiler with brake light, rear, USA	83-89	189,-
8B	234-8B	set of spoilers rear Zender (3 - parts)	83-89	295,-
8C	234-8C	set of spoilers rear US model (3 - parts), with 3 brake lights	83-87	250,-
9	234-9	left spoiler coign	83-89	60,-
9A	234-9A	right spoiler coign	83-89	60,-
10	234-10	end strip, rear	83-89	65,-
11	234-11	license number mount	83-89	45,-
15	234-15	Alfa emblem for spoiler	83-89	22,-
16	234-16	spout for Alfa emblem	83-89	1,55
17	234-17	bumper, rear	90-94	1500,-
18	234-18	bumper seating, LH	90-94	141,-
18A	234-18A	bumper seating, RH	90-94	141,-
19	234-19	bumper mount, rear, LH/RH	90-94	99,-
20	234-20	license number mount	90-94	49,-
21	234-21	right seating for bumper mount	90-94	140,-
21A	234-21A	left seating for bumper mount	90-94	140,-
22	234-22	screw for bumper sideway	83-94	7,50
22A	234-22A	nut for position 234-22	83-94	1,20



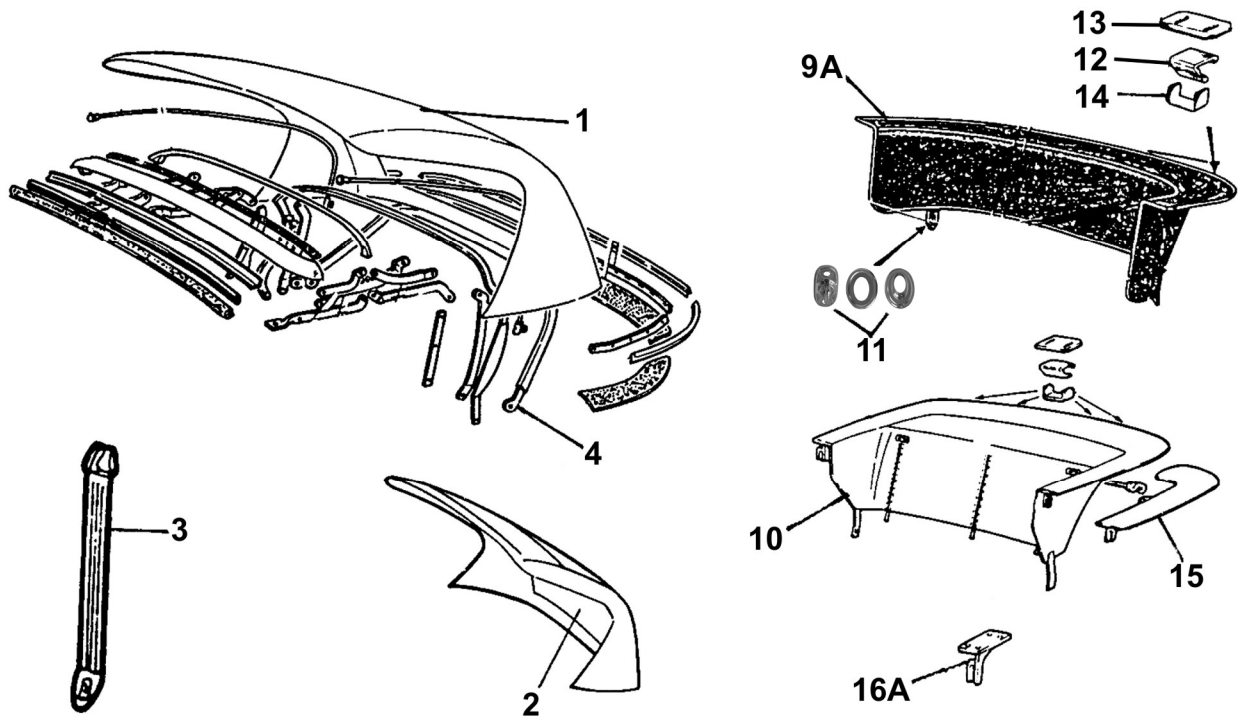
<u>Abb.</u>	<u>Item-nr.</u>	<u>Description</u>	<u>Year</u>	<u>Price</u> €
1	235-1	transparent windscreen	66-69	372,--
1A	235-1A	green windscreen	66-69	369,--
1B	235-1B	transparent windscreen	70-94	379,--
1C	235-1C	green windscreen	70-94	369,--
1E	235-1E	green windscreen with green wedge	70-94	399,--
1F	235-1F	windscreen with integrated aerial, bronze tint	70-89	499,--
2	235-2	gasket for windscreen	66-69	149,--
2A	235-2A	gasket for windscreen	70-94	75,--
3	235-3	retaining clip for lower chrome strip	66-94	3,50
3A	235-3A	Fixation spout for side chrome strip	66-94	2,--
3B	235-3B	fixation screw for side chrome strip	66-94	1,60
4	235-4	left plastic coign	66-94	3,50
4A	235-4A	right plastic coign	66-94	3,50
5	235-5	lower chrome strip	70-94	170,--
7	235-7	upper chrome strip	70-94	210,--
7A	235-7A	fixation screw (for 235-7)	70-94	1,--
8	235-8	upper cover strip for windscreen	66-69	60,--
8A	235-8A	upper cover strip for windscreen	70-94	60,--
8B	235-8B	set cover strip for windscreen (5 pieces)	70-94	155,--
8C	235-8C	set cover strip for windscreen (5 pieces)	66-69	169,--
9	235-9	kit cap for windscreen, sideway	66-69	45,--
9A	235-9A	kit cap for windscreen, sideway	70-94	45,--
9B	235-9B	cover strip, sideway, right	70-94	38,--
9C	235-9C	kit cover strips, sideway, left and right	70-94	79,--
9D	235-9D	set covering strips, sideway, right and left, Roundtail	66-69	79,--
10	235-10	left sun visor	66-94	39,90
10A	235-10A	right sun visor with mirror	66-94	41,90
10B	235-10B	left sun visor	90-94	145,--
10C	235-10C	right sun visor with mirror and lighting	90-94	185,--
10D	235-10D	fixation screw for sun visor	66-94	1,50
10E	235-10E	set sun visor with chromed support, left or right	66-94	80,--
11	235-11	sun visor mounting	66-89	6,50
11A	235-11A	sun visor mounting chromed (Fiat > 78)	63-94	12,--
11B	235-11B	sun visor mounting	87-94	8,50
12	235-12	interior mirror without lighting, suitable for models of 66-82, Vitaloni	83-94	150,--
12A	235-12A	interior mirror without foot	66-69	259,--
12B	235-12B	anti-vibration crosshead screw for interior mirror	66-69	9,80
13	235-13	courtesy light (in mirror)	66-82	55,--
15	235-15	repair set (2 pieces) f. plate glass f. interior mirror with lighting	66-82	23,--
15A	235-15A	repair kit (2 glasses) for interior mirror	83-94	26,--
16	235-16	fixation plate for mirror	66-94	19,--



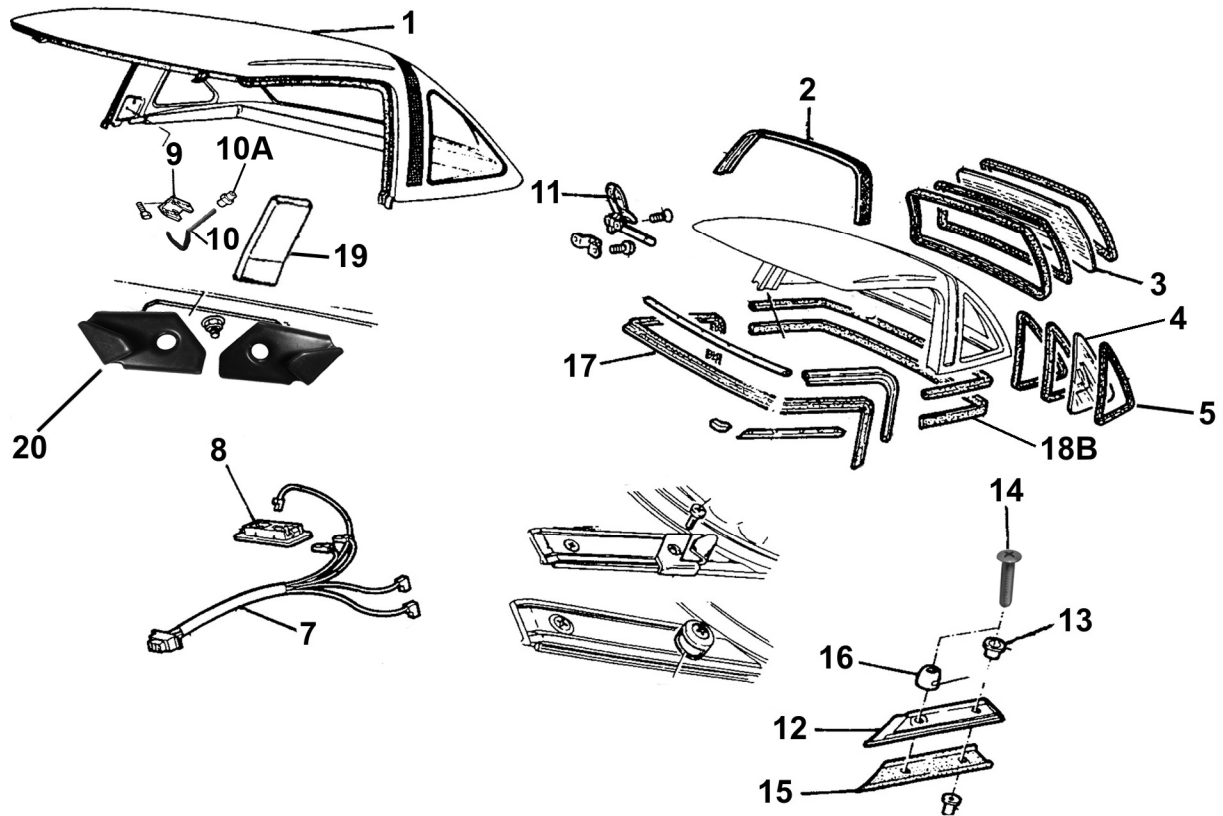
<u>Abb.</u>	<u>Item-nr.</u>	<u>Description</u>	<u>Year</u>	<u>Price</u> €
1	236-1	black sunfast top original Alfa 1750	68-69	525,--
1A	236-1A	black sunfast top original Alfa	66-69	525,--
1B	236-1B	beige sunfast top original Alfa	66-69	525,--
1C	236-1C	black top PVC, original Alfa	66-69	579,--
1D	236-1D	sunfast top, Sonnenland black	66-69	665,--
1E	236-1E	sunfast top, Sonnenland beige	66-69	675,--
1F	236-1F	convertible top linkage (NEW)	66-69	4.600,--
2	236-2	front gasket for Crossrail	66-69	43,50
2A	236-2A	front gasket for Crossrail, original Alfa Romeo	66-69	60,--
3	236-3	cover strip at front of soft top bows	66-69	56,--
5C	236-5C	set of side gaskets (6 units)	66-69	175,--
5D	236-5D	fixation screw with nut for canopy top gasket, sideway	66-69	3,50
6	236-6	lock for convertible top, chromed	66-69	79,--
6A	236-6A	fixation hook for canopy top lock, chromed	66-69	35,--
6B	236-6B	screw for top lock mounting	66-94	2,50
6C	236-6C	sheet metal track at pane frame for canopy top lock	66-69	15,50
6D	236-6D	screw for soft top hook	66-94	2,50
7	236-7	leather strap at top lock	66-69	8,50
7A	236-7A	fixation screw with nut for canopy top gasket, sideway	66-69	2,--
8	236-8	retaining strap for top lock	66-69	9,--
9	236-9	handhold at crossrail with chromed ends	66-69	18,--
9A	236-9A	black end cup for handhold at crossrail	66-94	7,--
10	236-10	fixation belt for top frame	66-69	16,50
11	236-11	connection nut for canopy top joint rod, sideway	66-69	6,--
13	236-13	complete black tarpaulin with frame	66-69	219,--
14	236-14	angle of rotation for convertible top fastening	66-69	4,--
15	236-15	adhesive for convertible top	66-69	9,--
17	236-17	rear window and Plexiglas hood care	66-69	25,--
18	236-18	chrome hard top mount, right or left	66-69	65,--
19	236-19	Hardtop holder lateral locking	66-69	79,--



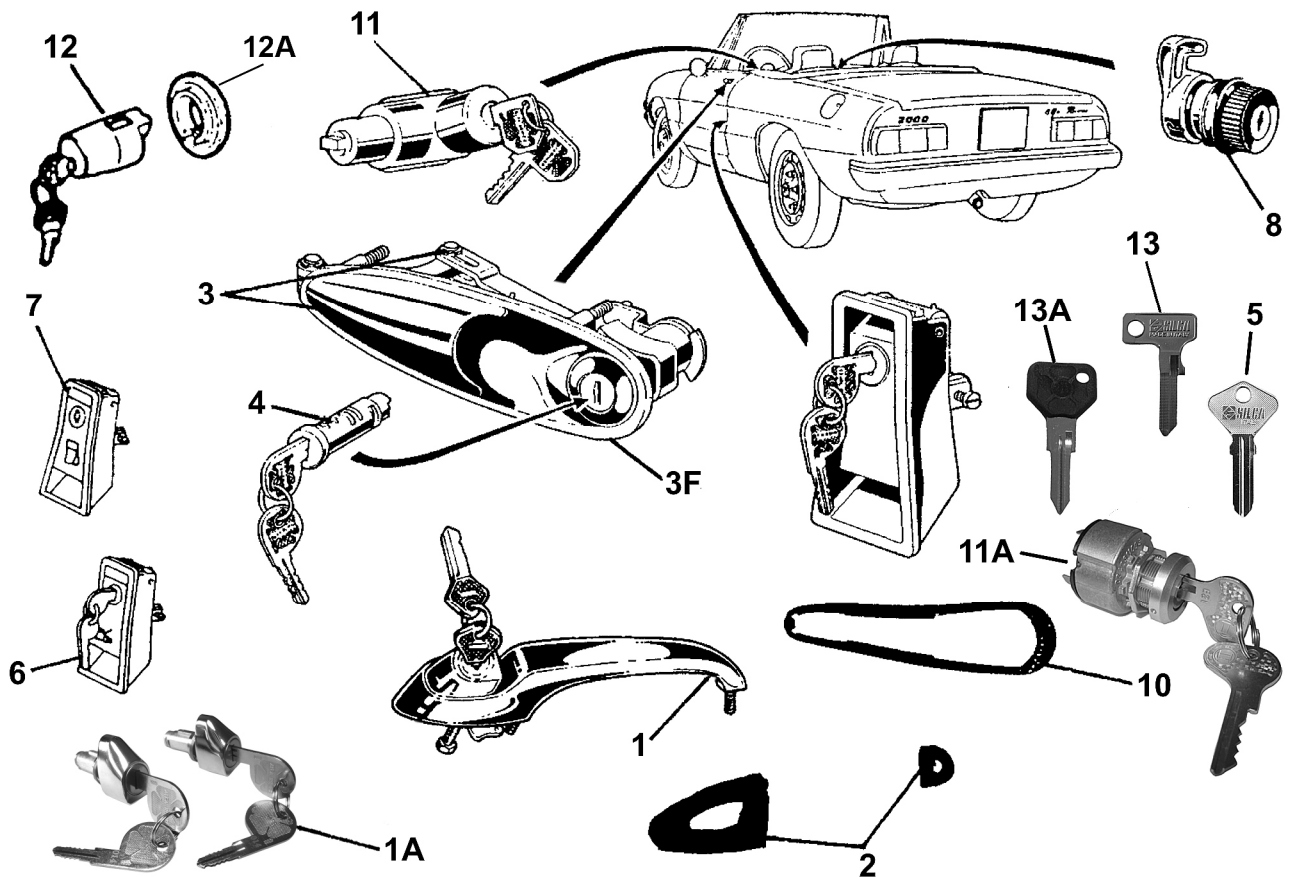
<u>Abb.</u>	<u>Item-nr.</u>	<u>Description</u>	<u>Year</u>	<u>Price</u> €
1	237-1	complete top frame without cross rail	70-94	815,--
2	237-2	cross rail for top	70-94	249,--
2A	237-2A	screw for cross rail for top, sideway	70-94	0,60
3	237-3	imitation leather cover for cross rail protection	70-94	12,--
4	237-4	weather strip for top cross rail, rear	70-94	13,--
5	237-5	gasket for top	70-94	29,--
6	237-6	fixation plate for gasket, sideway, with nut	70-94	6,--
7	237-7	fixation track for gasket	70-94	30,--
8	237-8	plastic cover strip, front	70-94	48,--
9	237-9	handhold at cross rail with chromed end	70-94	21,--
9A	237-9A	black end cup sideway for handhold at cross rail	66-94	7,--
10	237-10	lock for top	70-94	79,--
10-A	237-10A	lock for top with leather strap	66-94	93,--
11	237-11	screw for top lock mounting	70-94	2,50
12	237-12	leather strap top lock	70-94	8,50
12A	237-12A	fixation rivet for leather strap top lock	70-94	2,--
13	237-13	retaining strap for top lock	70-94	9,--
14	237-14	sheet metal track at pane frame for canopy top lock	70-94	15,50
15	237-15	fixation hook for top lock chromed	70-94	35,--
16	237-16	tensioning rope for top	70-94	7,--
17	237-17	fastening set for tensioning rope	70-94	23,--
18	237-18	inner side retaining plate zincked for top	70-94	12,--
19	237-19	outer side retaining plate for top, chromed, LH	70-94	6,50
19A	237-19A	outer side retaining plate for top, chromed, RH	70-94	6,50
20	237-20	retaining plate for top, rear, sideway	70-94	15,--
21	237-21	retaining plate for top, rear, middle	70-94	30,--
21A	237-21A	fixing screw with shim for retaining plate for top, rear	70-94	1,10
22	237-22	side chrome track, left	70-94	98,--
22A	237-22A	side chrome track, right	70-94	98,--
23	237-23	chrome track, rear, middle	70-94	198,--
24	237-24	chrome side joint for chrome track	70-94	26,--
25	237-25	imitation leather cover for top fastening, rear	70-94	18,--
26	237-26	connection pin for cross rail for top / frame	70-94	6,50
27	237-27	screw for top frame	70-94	4,50



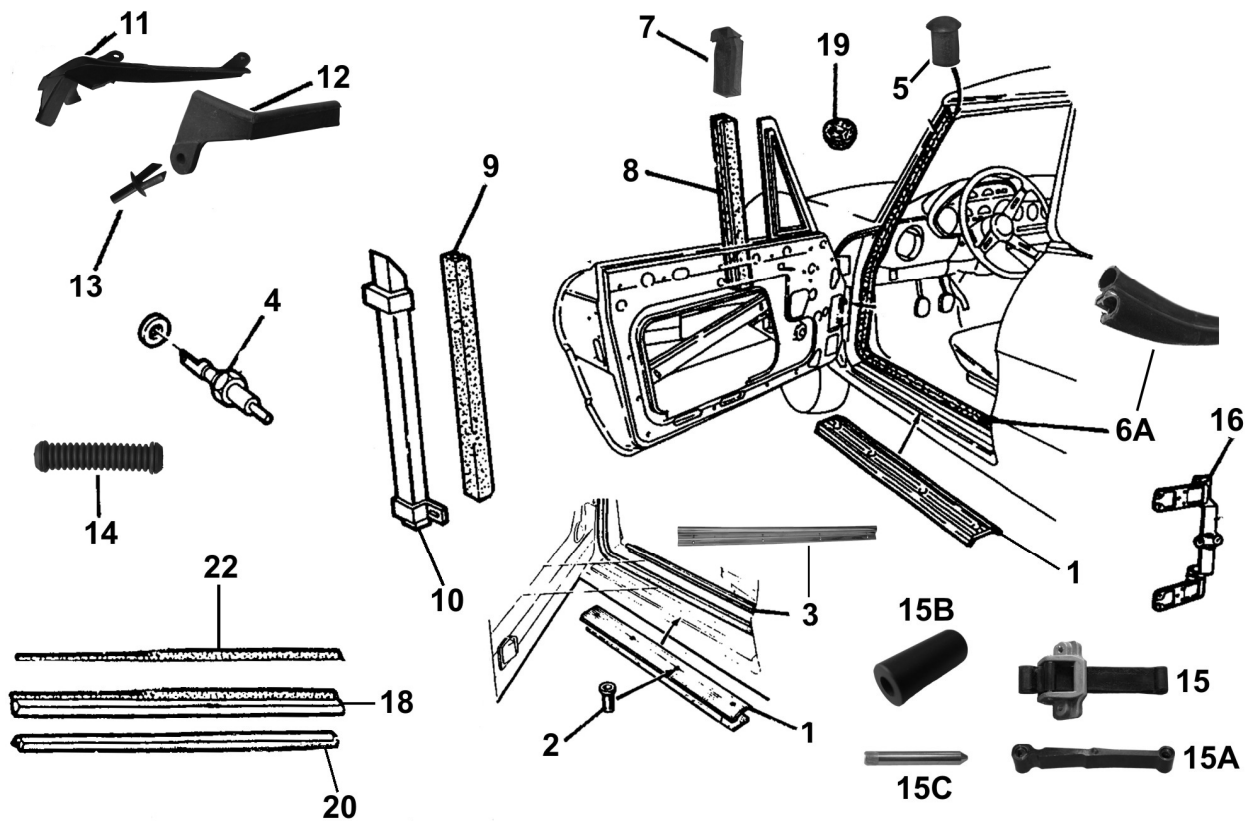
<u>Abb.</u>	<u>Item-nr.</u>	<u>Description</u>	<u>Year</u>	<u>Price</u> €
1C	238-1C	material folding top, black Sonnenland	70-94	539,--
1F	238-1F	black PVC-top, original Alfa	70-94	680,--
1G	238-1G	beige PVC-top, original Alfa	70-94	680,--
1H	238-1H	mounting instruction f. folding top, orig Alfa 70-94, copy, English	70-94	10,--
2	238-2	Plexiglas pane for original top	70-94	135,--
3	238-3	fixation belt for top frame, rear	70-94	16,50
4A	238-4A	top frame, new	70-94	950,--
5	238-5	adhesive for convertible top	70-94	9,--
7	238-7	rear window and Plexiglas hood care	70-94	25,--
9A	238-9A	complete original black tarpaulin with mounting parts	70-89	199,--
9B	238-9B	original beige tarpaulin	70-89	250,--
10	238-10	complete black tarpaulin with mounting parts	90-94	345,--
10A	238-10A	original black tarpaulin without mounting parts	90-94	248,-
10B	238-10B	complete beige tarpaulin with mounting parts	90-94	345,--
10C	238-10C	original beige tarpaulin without mounting parts	90-94	248,--
10D	238-10D	original black tarpaulin with red seams, with mounting parts	87-89	345,--
11	238-11	angle of rotation for tarpaulin fastening	70-89	4,--
12	238-12	plastic frame for tarpaulin fastening	70-86	2,25
13	238-13	metal clip for tarpaulin fastening	70-86	1,80
14	238-14	metal clip for tarpaulin fastening	70-86	1,60
15	238-15	big mount for tarpaulin, sideway, LH	90-94	67,--
15A	238-15A	big mount for tarpaulin, sideway, RH	90-94	67,--
16	238-16	small mount for tarpaulin, front, LH	90-94	25,--
16A	238-16A	small mount for tarpaulin, front, RH	90-94	25,--



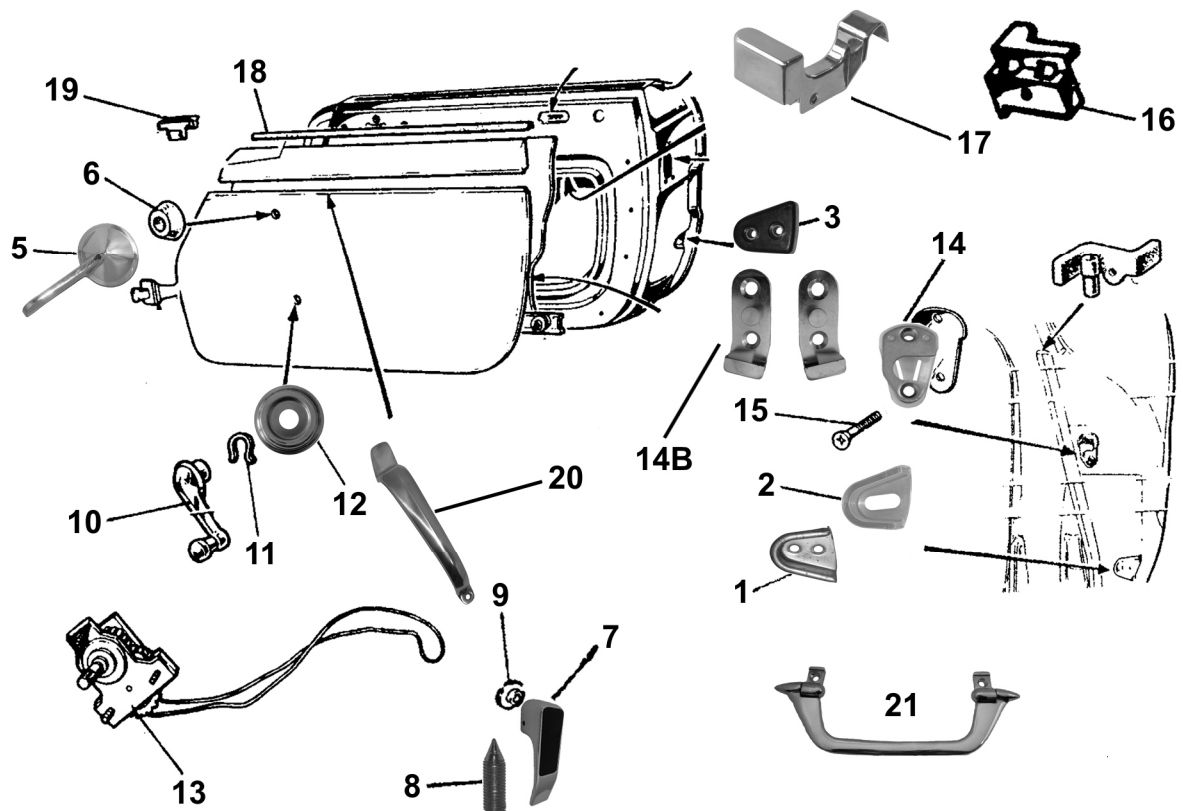
<u>Abb.</u>	<u>Item-nr.</u>	<u>Description</u>	<u>Year</u>	<u>Price</u> €
1	239-1	hard top	70-94	1600,--
2	239-2	upper grid blind for hard top	87-94	80,--
3	239-3	heatable hard top pane, rear	87-94	180,--
4	239-4	triangle window sidey left	87-94	79,--
4A	239-4A	triangle window sidey right	87-94	79,--
6	239-6	fixation frame for side gasket	87-94	49,--
8	239-8	interior lighting hardtop	87-94	110,--
9	239-9	inner hard top mounting, sidey	87-94	20,--
10	239-10	inner hard top locking, sidey	87-94	35,--
10A	239-10A	nut for locking	70-94	3,--
11	239-11	hard top locking left or right	70-94	93,--
12	239-12	set hard top mount, chrome	70-82	82,--
12A	239-12A	right hard top mount, chrome	70-82	on request
12B	239-12B	set hard top mount, chrome	83-94	92,--
12C	239-12C	right hard top mount, chrome	83-94	on request
13	239-13	spout for screw	83-94	4,--
14	239-14	chrome screw	66-94	4,--
15	239-15	rubber underlay, LH	70-94	6,--
15A	239-15A	rubber underlay, RH	70-94	6,--
16	239-16	fixation nub for hard top, chrome	83-94	25,--
17	239-17	front gasket for hard top	86-94	179,--
18B	239-18B	gasket for hard top, rear	70-86	89,--
19	239-19	set of covers for hard top fastener, sidey left and right	70-94	129,--
20	239-20	hook for hard top, rear, LH	70-94	37,--
20A	239-20A	set hook for hard top, rear	70-94	75,--



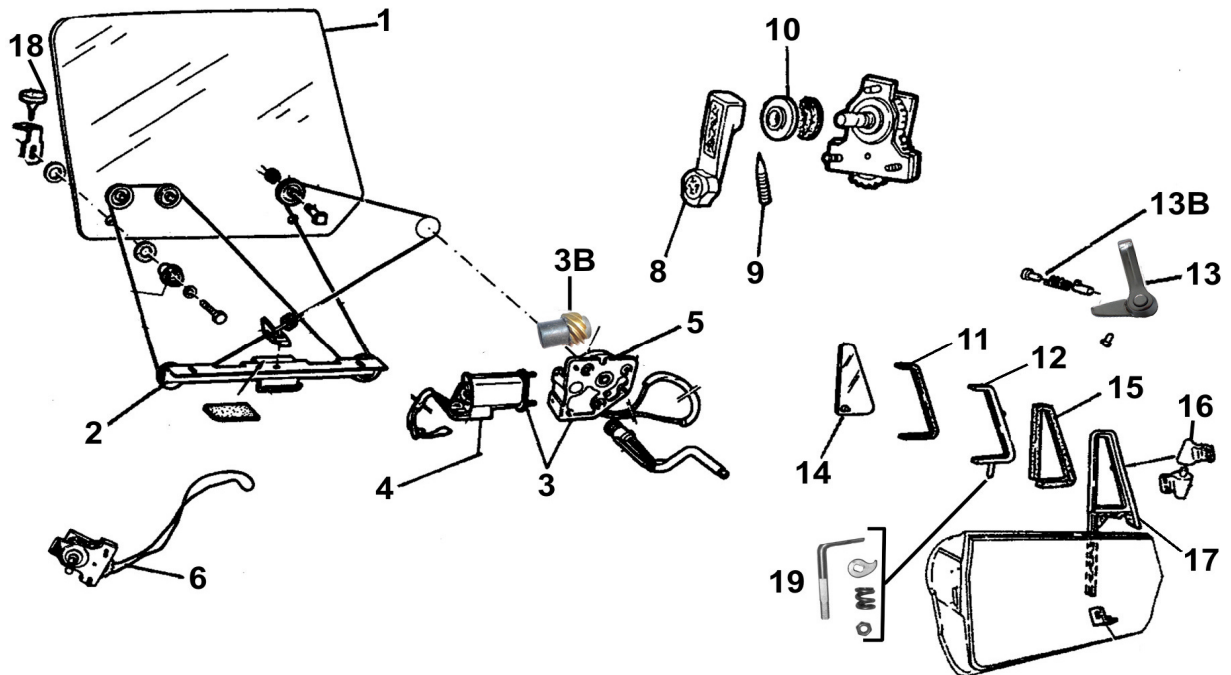
<u>Abb.</u>	<u>Item-nr.</u>	<u>Description</u>	<u>Year</u>	<u>Price</u> €
1	240-1	set door handle with locking cylinder, 1300 + 1600	66-82	295,--
1A	240-1A	set locking cylinder Spider 1300/1600	66-78	108,--
2	240-2	kit gasket for door handle, (1 side) 1300 + 1600	66-82	11,--
3	240-3	complete door handle incl. cylinder, RH	70-94	115,--
3A	240-3A	complete door handle incl. cylinder, LH	83-94	115,--
3B	240-3B	left door handle without cylinder, 1600, 1750, 2000	70-94	79,--
3C	240-3C	right door handle without cylinder, 1600, 1750, 2000	70-94	79,--
3D	240-3D	set door handle, 1600, 1750, 2000, without key cylinder	70-94	145,--
3F	240-3F	chrome jacket for door handle, without key cylinder	70-94	39,--
3G	240-3G	holding bow for door handle rear 1600-2000	70-94	8,--
3H	240-3H	holding bow for door handle in front 1600-2000	70-94	8,--
4	240-4	door lock with key	70-94	40,--
4A	240-4A	set of locking cylinders, keyed alike	70-94	79,--
5	240-5	key moulding blank for door	66-94	7,--
6	240-6	boot opener with symbol, without cylinder	66-94	85,--
6A	240-6A	cylinder for boot lock or tank shutter	66-94	39,--
7	240-7	opener for tank shutter with lever and symbol	87-94	85,--
8	240-8	complete lock for glove box	70-94	79,--
8A	240-8A	lock for glove box (metal clack) 1300/1600 Spider	66-78	79,--
9	240-9	set of door handles incl. lock, glove box lock + boot lock + tank shutter	70-94	430,--
10	240-10	gasket for door handle jacket	70-94	4,50
11	240-11	ignition lock Bertone, Giulia, Spider	66-79	139,--
11A	240-11A	ignition lock on dash board	63-65	79,--
12	240-12	ignition lock Spider with 3 cables	80-94	172,--
12A	240-12A	cover ring for ignition lock	80-94	15,--
13	240-13	key moulding blank for ignition lock	66-79	7,--
13A	240-13A	key moulding blank for ignition lock	80-94	7,--



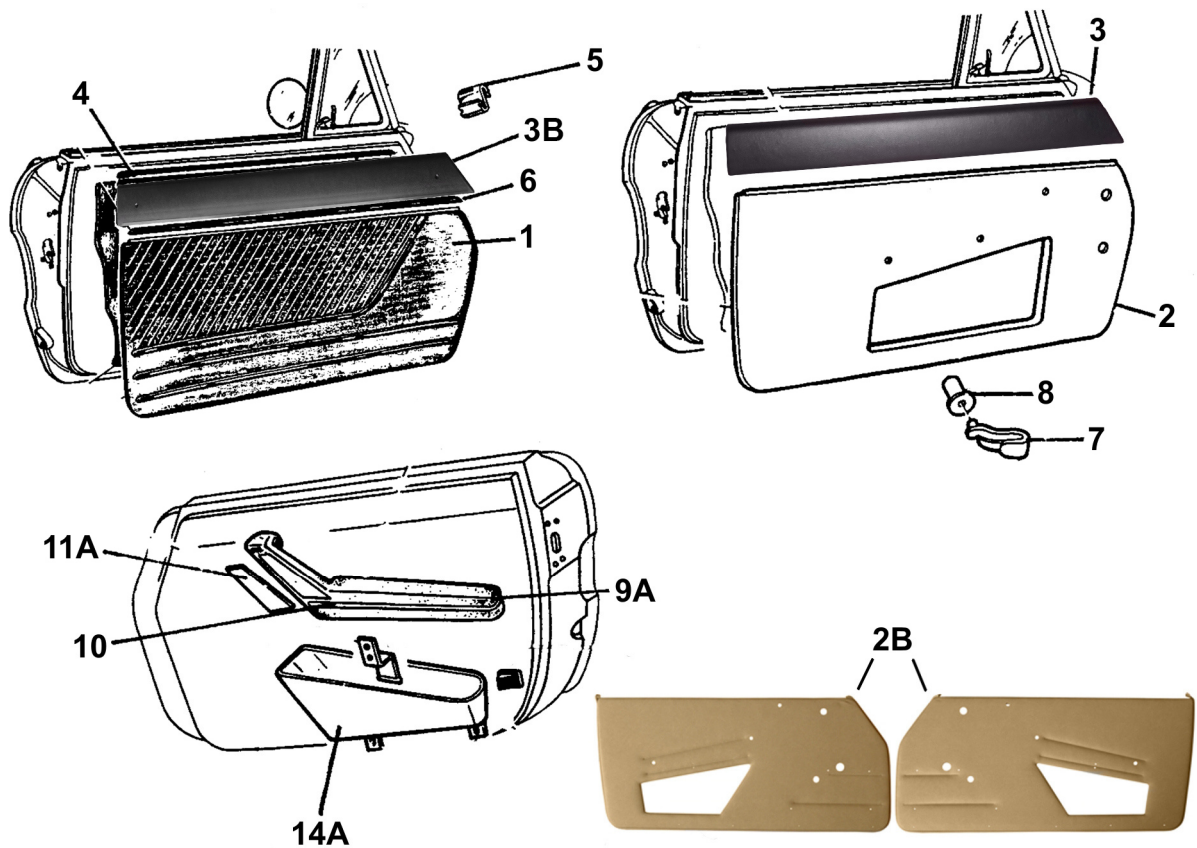
<u>Abb.</u>	<u>Item-nr.</u>	<u>Description</u>	<u>Year</u>	<u>Price</u> €
1	241-1	broad sill board flat rod, stainless steel	66-94	50,--
2	241-2	fixation rivet for bead at door sill	66-94	2,20
3	241-3	fixation strip for carpet, stainless steel	66-94	40,--
3A	241-3A	fixation strip for carpet, black	87-94	49,--
3B	241-3B	fixation screw stainless steel for carpet strip	66-94	1,--
4	241-4	touch sensitive switch for door	66-94	13,--
5	241-5	end cap for door gasket	66-94	2,99
6	241-6	door gasket, standard without velour	66-94	20,--
6A	241-6A	door gasket with velour, LH or RH	66-94	34,--
7	241-7	end cap for door window guide	66-94	6,--
7A	241-7A	fixation rivet for end cap (door window guide)	66-94	1,20
8	241-8	rubber for door window guide, front	66-94	8,--
9	241-9	rubber for door window guide, rear	66-94	6,--
10	241-10	metal track for window, LH	66-94	30,--
10A	241-10A	metal track for window, RH	66-94	30,--
11	241-11	brim rubber for door, front LH	66-94	8,--
11A	241-11A	brim rubber for door, front RH	66-94	8,--
12	241-12	brim rubber for door, rear LH	66-94	7,--
12A	241-12A	brim rubber for door, rear RH	66-94	7,--
13	241-13	fixation rivet for door brim rubber, rear	66-94	1,20
14	241-14	grommet, door to A-pillar	66-94	14,--
15	241-15	door stop, LH or RH, Spider / Zagato	66-94	58,--
15A	241-15A	repair set for door stop	66-94	29,--
15B	241-15B	plastic roller for door catch strap	66-94	2,50
15C	241-15C	eyebolt for door catch strap	66-94	2,70
16	241-16	door hinge	66-94	200,--
18	241-18	chrome decorative strip for door, outside LH	66-94	110,--
18A	241-18A	chrome decorative strip for door, outside RH	66-94	110,--
19	241-19	rubber covering for screw door articulation	66-94	3,59
20	241-20	fixation bead for decorative strip for door, outside LH	66-94	20,--
21	241-21	fixation bead for decorative strip for door, outside RH	66-94	20,--
21A	241-21A	fixation clip for decorative strip for door	66-94	4,80
22	241-22	rubber lip for decorative strip for door, outside	66-94	11,--



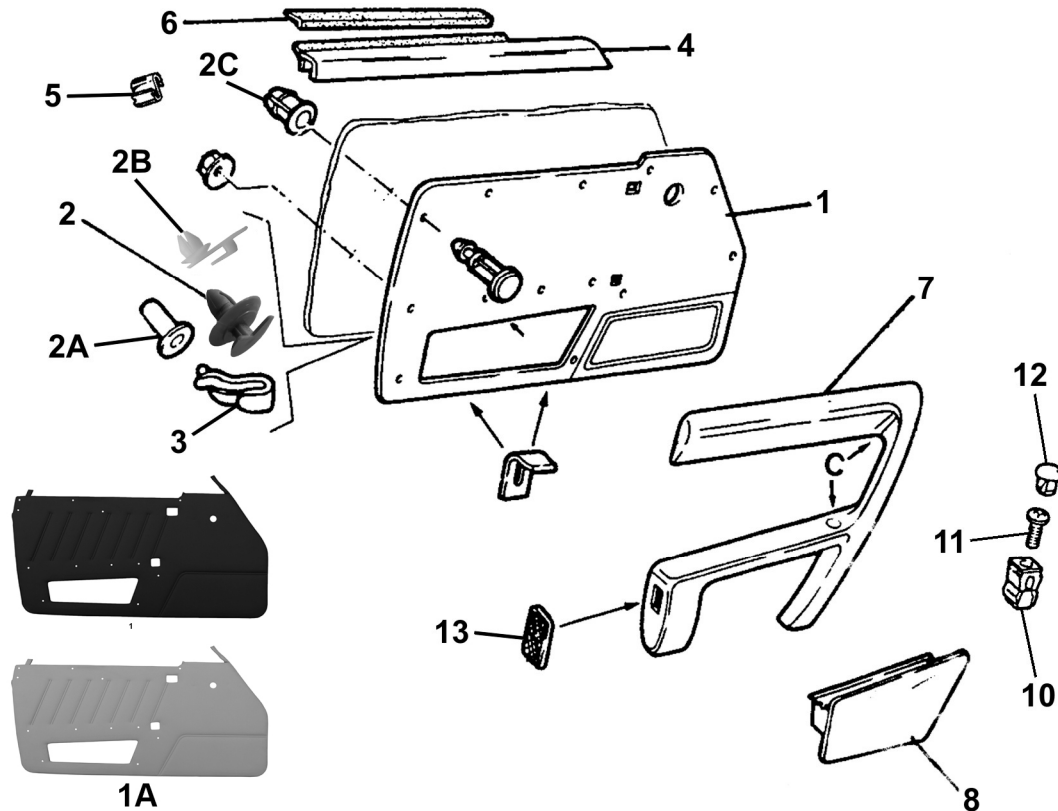
<u>Abb.</u>	<u>Item-nr.</u>	<u>Description</u>	<u>Year</u>	<u>Price</u> €
1	242-1	door guide at B-pillar, LH	66-94	29,--
1A	242-1A	door guide at B-pillar, RH	66-94	29,--
1B	242-1B	fixation screw for door guide at B-pillar	66-94	1,--
2	242-2	underlay, LH, for door guide	66-94	3,--
2A	242-2A	underlay, RH, for door guide	66-94	3,--
3	242-3	triangular rubber guide for door, LH	66-94	8,50
3A	242-3A	triangular rubber guide for door, RH	66-94	8,50
3B	242-3B	fixation screw for triangular rubber	66-94	1,--
5	242-5	chrome door opener, inside	66-78	42,--
6	242-6	chrome underlay for door opener or window crank 1300/1600	66-78	11,50
7	242-7	chrome door opener with plastic inlay	71-94	25,--
8	242-8	fixation screw for door opener	66-94	3,50
9	242-9	underlay for black door opener	72-94	4,--
10	242-10	chrome crank handle for window, 1300/1600	66-78	45,--
11	242-11	clip for crank handle (window)	66-74	2,--
12	242-12	chrome underlay for door opener or window crank, 1300/1600	66-78	11,50
13	242-13	window linkage, LH 1300-1600	66-78	45,--
13A	242-13A	window linkage, RH 1300-1600	66-78	54,--
13B	242-13B	window linkage, LH 2000 (1600 78-94)	70-94	54,--
13C	242-13C	window linkage, RH 2000 (1600 78-94)	70-94	54,--
14	242-14	locking part for B-pillar, RH	70-94	55,--
14A	242-14A	locking part for B-pillar, LH	70-94	55,--
14B	242-14B	kit locking parts for B-pillar	66-69	159,--
14C	242-14C	Shim for locking part B-pillar	70-94	8,--
15	242-15	screw for locking part	66-94	3,--
16	242-16	upper chrome part for B-pillar, LH	66-69	59,90
16A	242-16A	upper chrome part for B-pillar, RH	66-69	59,90
17	242-17	upper chrome part for B-pillar, LH	70-94	45,--
17A	242-17A	upper chrome part for B-pillar, RH	70-94	45,--
17B	242-17B	set upper chrome parts for B- pillar, RH + LH	70-94	89,--
18	242-18	velvet strip for upper door covering	66-94	12,--
19	242-19	fixation clip for velvet strip	70-94	4,--
20	242-20	aluminium door handle, right, 1300 / 1600 / 1750	66-82	50,--
21	242-21	folding handle, chrome, three parts	66-78	45,--



<u>Abb.</u>	<u>Item-nr</u>	<u>Description</u>	<u>Year</u>	<u>Price</u> €
1	243-1	door pane, clear-transparent	66-69	133,--
1A	243-1A	door window pane, green tint	70-94	98,--
1B	243-1B	door window pane, bronze tint	87-89	98,--
1C	243-1C	door pane, clear-transparent	70-82	98,--
2	243-2	door pane mounting with roller, LH/RH	66-94	46,--
2A	243-2A	Pulley with screws, upper for window cable, Spider, GT, Dino, 124	66-94	14,--
2B	243-2B	Pulley with guide, lower for window cable, Spider, GT, Dino, 124	66-94	14,--
3B	243-3B	plastic gearbox for electric window-lift	70-94	30,--
4	243-4	engine for electric window-lift	70-94	110,--
5	243-5	linkage mechanism for window with electric window-lift, LH	70-94	155,--
5A	243-5A	linkage mechanism for window with electric window-lift, RH	70-94	155,--
6	243-6	linkage for window, LH (30 mm drive shaft) 1300/1600/1750	66-78	49,--
6A	243-6A	linkage for window, RH (30 mm drive shaft) 1300/1600/1750	66-78	49,--
7	243-7	linkage for window, LH (40 mm drive shaft)	70-94	49,--
7A	243-7A	linkage for window, RH (40 mm drive shaft)	70-94	49,--
8	243-8	chrome crank handle (window) with black plastic inlay	70-94	23,--
9	243-9	fixation screw for crank handle (window)	70-94	3,50
10	243-10	underlay for window crank handle	70-94	4,--
11	243-11	gasket between triangular window pane + chrome frame	66-94	7,--
12	243-12	chrome frame for triangular pane, LH	70-94	65,--
12A	243-12A	chrome frame for triangular pane, RH	70-94	65,--
13	243-13	chrome latch for window, LH	69-94	48,--
13A	243-13A	chrome latch, for window, RH	69-94	48,--
14	243-14	triangular pane, clear-transparent, openable	66-69	105,--
14A	243-14A	triangular pane, clear-transparent, LH	70-82	105,--
14C	243-14C	triangular pane, left or right, green tint, with alfa sign	72-94	150,--
14E	243-14E	triangular pane, left, bronze tint, with alfa sign	83-89	150,--
14F	243-14F	triangular pane, right, bronze tint, with alfa sign	83-89	150,--
14G	243-14G	triangular pane, clear-transparent, static 1300/1600	70-80	92,--
15	243-15	gasket for triangular pane, LH	70-94	45,50
15A	243-15A	gasket for triangular pane, RH	70-94	45,50
15B	243-15B	Set gaskets for triangular pane	66-69	199,--
16	243-16	hinge for triangular pane, 2-parts LH	70-94	35,--
16A	243-16A	hinge for triangular pane, 2-parts RH	70-94	35,--
17	243-17	triangular pane frame, complete, LH (vented window)	70-94	350,--
17A	243-17A	triangular pane frame, complete, RH (vented window)	70-94	350,--
18	243-18	lower stopper gum for door pane	66-94	14,--
19	243-19	installation kit for triangular pane frame	70-94	21,--
20	243-20	rubber ring for fixation of the door window, below	66-94	3,--
21	243-21	fixation f. triangular pane, mounted door bottom left	66-94	16,--
21A	243-21A	fixation f. triangular pane, mounted door bottom right	66-94	16,--



<u>Abb.</u>	<u>Item-nr.</u>	<u>Description</u>	<u>Year</u>	<u>Price</u> €
1	244-1	black door covering, LH	66-77	109,--
1A	244-1A	black door covering, RH	66-77	109,--
1B	244-1B	set red door covering	66-77	229,--
1D	244-1D	foil covering against humidity between door + door covering	66-94	10,90
2	244-2	black door covering, LH	78-89	119,--
2A	244-2A	black door covering, RH	78-89	119,--
2B	244-2B	set beige door covering	78-89	449,--
2C	244-2C	set blue door covering	78-89	349,--
2D	244-2D	set red door covering	78-89	349,--
2E	244-2E	set black door covering without cut-out for glove box	70-86	250,--
3	244-3	upper door covering, black, LH	83-87	105,--
3A	244-3A	upper door covering, black, RH	83-87	105,--
3B	244-3B	upper door covering plastic black, LH	66-82	95,--
3C	244-3C	upper door covering plastic black, RH	66-82	95,--
3D	244-3D	fixation screw for upper door covering	66-87	1,65
4	244-4	upper end strip (velvet/metal)	66-89	12,--
5	244-5	fixation clip for upper door covering	66-69	4,--
5A	244-5A	fixation clip for upper door covering	70-94	4,--
6	244-6	chrome track for upper door covering	66-89	49,--
7	244-7	fixation clip for door covering	66-89	2,50
7B	244-7B	fixation screw with black plate for lower door covering	66-89	1,65
8	244-8	complement plastic socket in door	66-89	2,--
9	244-9	armrest, LH	78-89	88,--
9A	244-9A	armrest, RH	78-89	88,--
9B	244-9B	fixing screw for armrest	72-89	2,--
10	244-10	chrome strip for armrest	78-89	9,--
11	244-11	plastic triangle for armrest, LH	78-89	6,--
11A	244-11A	plastic triangle for armrest, RH	78-89	6,--



<u>Abb.</u>	<u>Item-nr.</u>	<u>Description</u>	<u>Year</u>	<u>Price</u> €
1	245-1	set black door covering, Imitation leather	87-94	295,--
1A	245-1A	set beige door covering, Imitation leather	87-94	295,--
1D	245-1D	set of white door covering	87-94	450,--
1E	245-1E	set black Alcantara door covering	87-94	349,--
1F	245-1F	set beige Alcantara door covering	87-94	349,--
1J	245-1J	set black synthetic leather door covering, USA, with airbag opening	87-94	295,--
1K	245-1K	set black Alcantara door covering, USA, with airbag opening	87-94	349,--
1L	245-1L	set beige synthetics leather door covering, US, with airbag opening	87-94	349,--
1M	245-1M	set beige Alcantara door covering, US, with airbag opening	87-94	349,--
1N	245-1N	foil covering against humidity between door + door covering	66-94	10,90
2	245-2	fixation clip for door covering	87-94	2,--
2A	245-2A	fixation clip for door covering	87-94	2,--
2B	245-2B	fixation clip for door covering	87-94	2,--
3	245-3	clip for door covering	87-94	2,50
3A	245-3A	fixation screw with plate, for black lower door-covering	87-94	1,65
4	245-4	upper cover strip for door covering, LH	87-94	110,--
4A	245-4A	upper cover strip for door covering, RH	87-94	110,--
5	245-5	fixation clip for cover strip	87-94	4,--
6	245-6	inner strip for window slot	87-94	20,--
7	245-7	armrest, LH	87-94	296,--
7A	245-7A	armrest, RH	87-94	296,--
8	245-8	deposit pocket at door, LH	87-94	99,--
8A	245-8A	deposit pocket at door, RH	87-94	99,--
9	245-9	stopper gum for door deposition	87-94	on request
10	245-10	plastic dowel for armrest fastening	87-94	2,--
11	245-11	fixation screw for armrest	87-94	1,--
12	245-12	cap for fixing screw	87-94	4,15
13	245-13	reflector in armrest	87-94	18,--

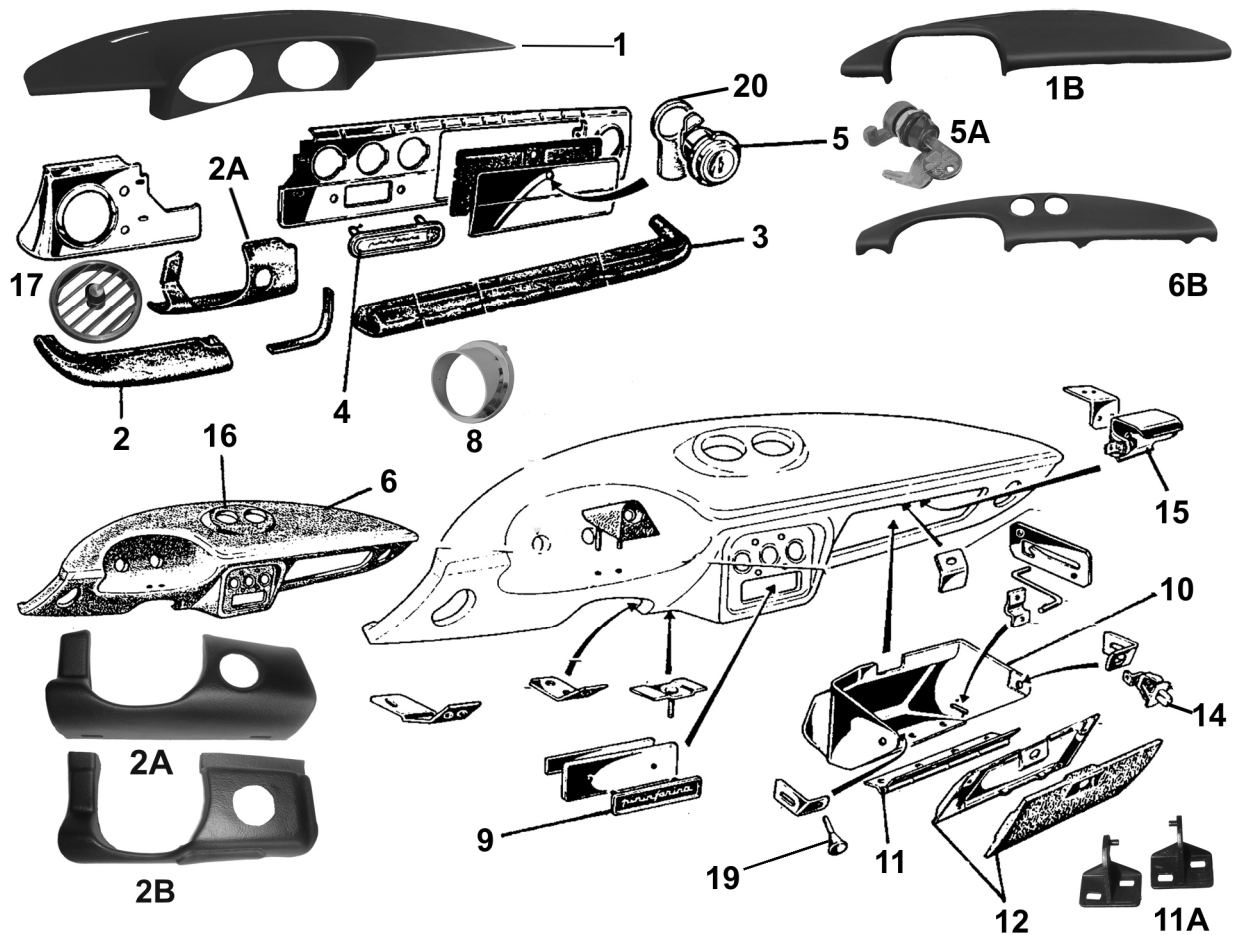
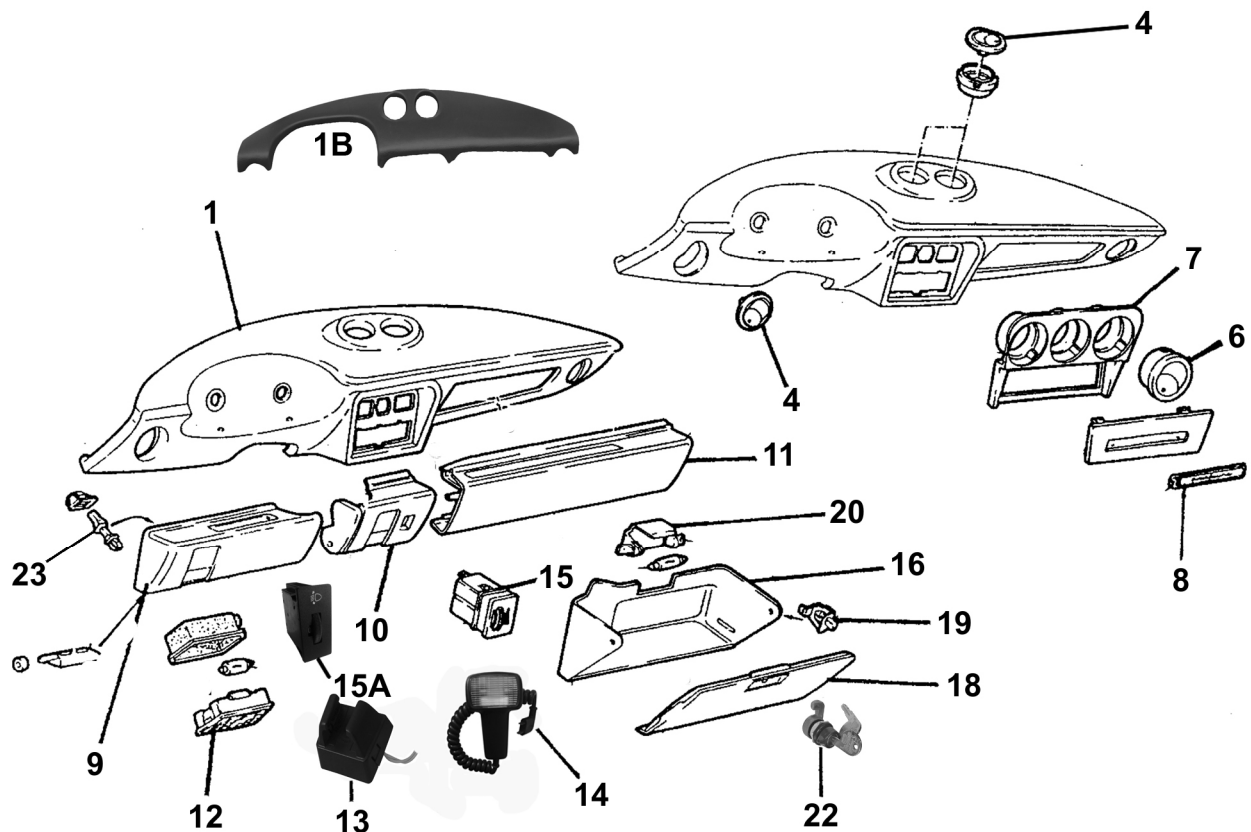
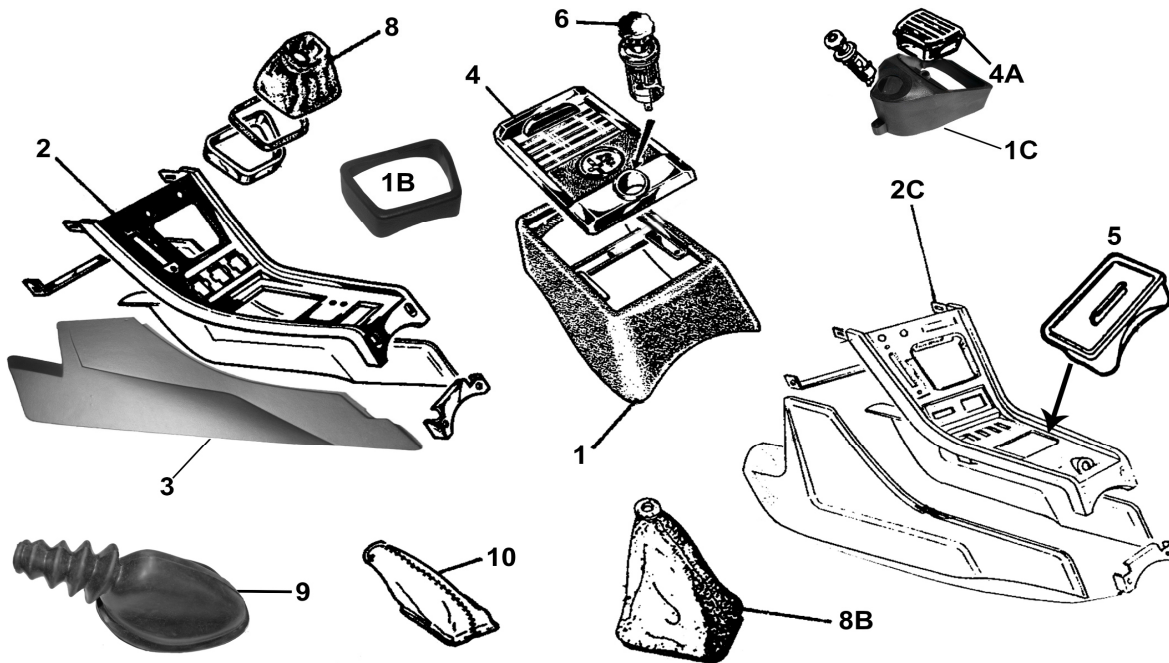


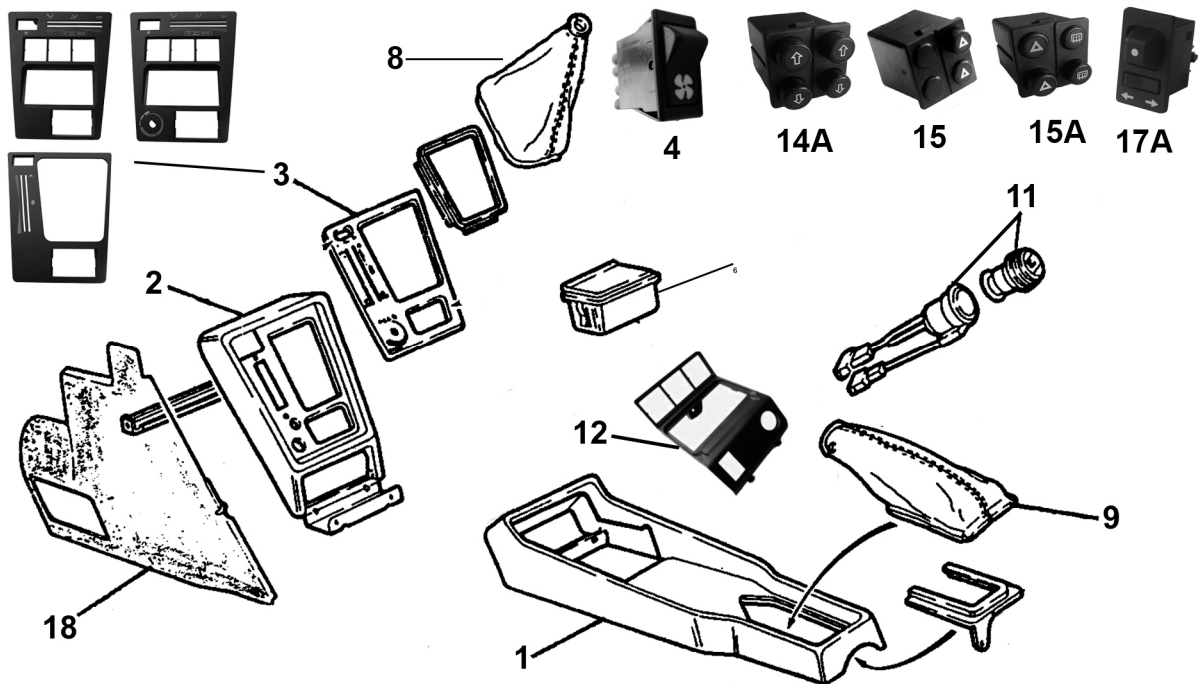
Abb.	Item-nr.	Description	Year	Price €
1	246-1	upper instrument panel (straight setscrews)	66-68	675,--
1A	246-1A	upper instrument panel (inclined setscrews)	from 68	675,--
1B	246-1B	repair set with adhesive for instrument panel 1300/1600/1750	66-78	199,--
2	246-2	set lower knee bolster, 1300 / 1600	66-76	345,--
2A	246-2A	cover for under steering wheel	66-69	52,--
2B	246-2B	cover for under steering wheel	70-78	49,--
4	246-4	Pininfarina emblem f. instrument panel, 1300/1600, no fixation parts, plastic	66-78	97,--
5	246-5	lock for glove box, 1300 / 1600 / 1750	66-78	79,--
5A	246-5A	lock for glove box 1600 79-94 / 2000 70-94	70-86	79,--
6	246-6	instrument panel with glove box flap, 1600 / 1750 / 2000	70-86	1350,--
6B	246-6B	repair set with adhesive for instrument panel 1600/1750 / 2000	70-94	199,--
6C	246-6C	Instrument panel rp., blue, 2000	70-86	1350,--
6D	246-6D	instrument panel rp. , brown, 2000	70-86	1350,--
7	246-7	pledge f. used p. will be at exempt from charges reconsignment (14 days) repaid	66-86	300,--
8	246-8	chrome ring, metal for small instruments	63-86	25,--
9	246-9	Pininfarina emblem for instrument panel	70-86	29,50
10	246-10	case for glove box, 2000	70-86	85,--
11	246-11	hinge for glove box, 1600 / 2000	70-86	25,--
11A	246-11A	set hinges for glove box, plastic 1600 / 2000	66-75	19,--
12	246-12	blue or beige glove box clack rp., 1750 / 2000	70-86	110,--
12A	246-12A	black glove box clack, rp, 1600 / 2000	70-94	230,--
13	246-13	pledge f. used p., will be at exempt from charges reconsignment (14 days) repaid	70-86	50,--
14	246-14	contactor for glove box lighting, 1600 / 2000	70-86	10,--
15	246-15	lighting f. glove box, engine or rear bonnet, 1750 / 2000	70-86	25,--
16	246-16	Kit upper air nozzle for windscreen, 1600 / 2000	70-86	85,--
17	246-17	Air nozzle sideways 1300/1600	66-77	45,--
18	246-18	side air nozzle for centre console	70-86	30,--
19	246-19	stopper gum for glove box clack	66-86	3,--
20	246-20	leather flap for glove box clack 1300 / 1600 / 1750	66-82	12,90



<u>Abb.</u>	<u>Item-nr.</u>	<u>Description</u>	<u>Year</u>	<u>Price</u> €
1	247-1	dashboard rp. black	87-94	1350,--
1A	247-1A	dashboard plastic, replica	87-94	590,--
1B	247-1B	repair set for dash board adhesive included	87-94	199,--
1C	247-1C	dashboard rp. blue or beige	87-94	800,--
1D	247-1D	pledge f. used part, will be refunded at exempt from charges reconsignment within 14 days	87-94	300,--
2	247-2	air distribution box for heating	70-94	80,--
4	247-4	upper or sideways air nozzle	87-94	99,--
6	247-6	middle air nozzle	87-94	79,--
7	247-7	frame for air nozzle, middle	87-94	80,--
8	247-8	Pininfarina emblem for centre console	87-94	26,--
9	247-9	lower left knee protection, black	87-94	185,--
9A	247-9A	lower left knee protection, beige	87-94	145,--
10	247-10	lower middle knee protection, black	87-94	140,--
10A	247-10A	lower middle knee protection, beige	87-94	145,--
11	247-11	lower knee protection, black, RH	87-94	295,--
11A	247-11A	knee protection long, US version	87-89	335,--
12	247-12	interior lighting, under the dashboard	87-94	25,--
13	247-13	mounting for reading lamp	87-94	25,--
14	247-14	reading lamp	87-94	60,--
15	247-15	lighting regulation for instruments	87-94	69,--
15A	247-15A	regulation of light range	90-94	65,--
16	247-16	case for glove box	87-94	115,--
17	247-17	case hinge for glove box	87-94	30,--
18	247-18	black glove box clack, rp	70-94	230,--
18A	247-18A	glove box clack blue or beige, rp.	87-94	200,--
18B	247-18B	pledge f. used part, will be refunded at exempt from charges reconsignment within 14 days	87-94	50,--
19	247-19	contactor for glove box lighting	87-94	10,--
20	247-20	lighting f. glove box, engine or rear bonnet	87-94	25,--
21	247-21	stopper gum for glove box clack	87-94	3,--
22	247-22	lock for glove box	87-94	79,--
23	247-23	fixation dowel for knee protection	87-94	3,--



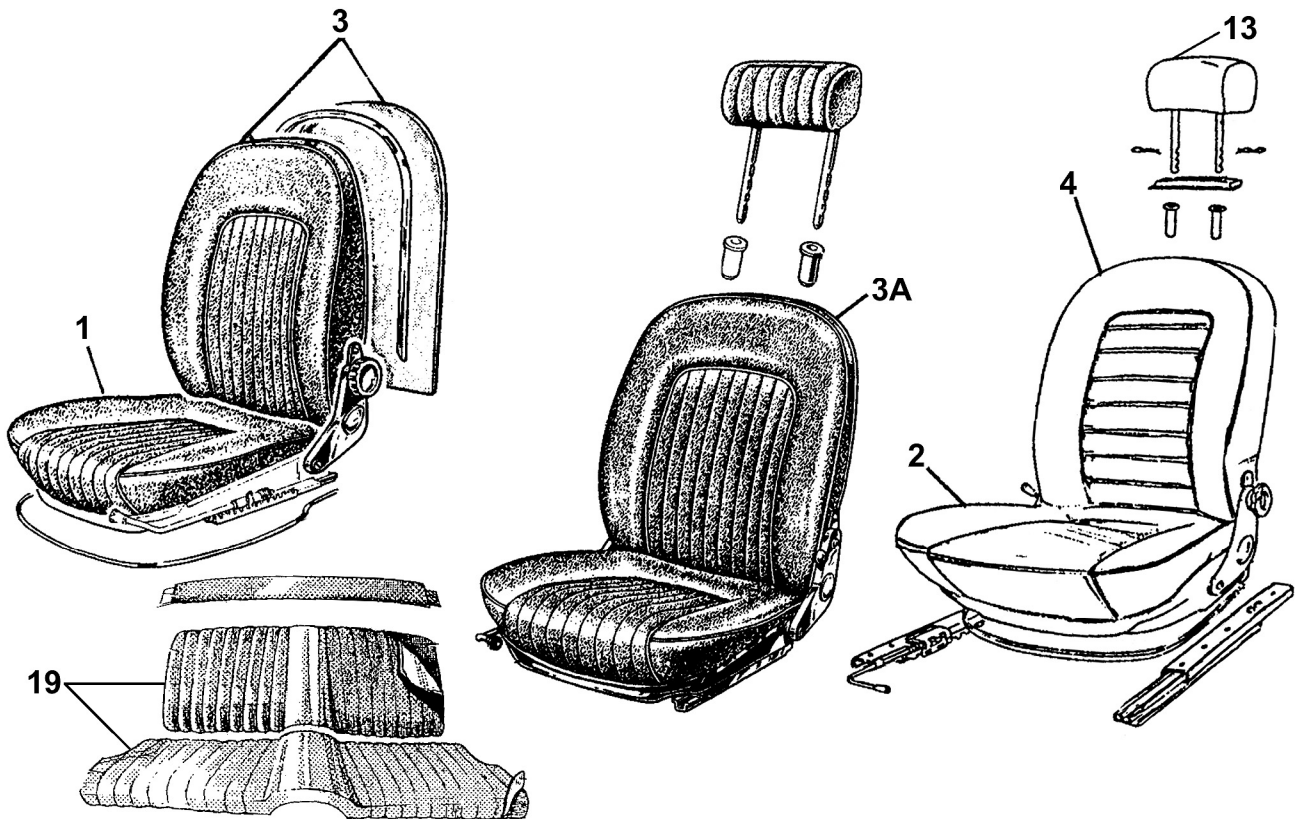
<u>Abb.</u>	<u>Item-nr.</u>	<u>Description</u>	<u>Year</u>	<u>Price</u> €
1	248-1	center console for ash-tray	67-69	123,--
1B	248-1B	console for ash-tray 1300 / 1600	66-78	45,--
1C	248-1C	console for ash-tray 1300 / 1600 GT, Spider	63-67	94,--
2	248-2	center console, repro, for big ash-tray, 1750 / 2000	69-80	160,--
3	248-3	black side cover for center console, LH	70-86	86,--
3A	248-3A	black side cover for center console, RH	70-86	86,--
3B	248-3B	kit of covers (brown) for centre console	83-86	110,--
3C	248-3C	kit of covers (blue) for centre console	83-86	110,--
4	248-4	big ash-tray Spider 1750 / 2000	67-79	390,--
4A	248-4A	ash-tray 1300 / 1600	66-82	On request
4B	248-4B	Alfa Romeo emblem silver for ash-tray 32 mm	67-79	15,--
4C	248-4C	Alfa Romeo emblem gold for ash-tray 32 mm	67-79	15,--
5	248-5	small ash-tray	80-86	210,--
6	248-6	cigarette lighter original Alfa	66-70	245,--
7A	248-7A	fixing clamp for frame of gear shift sack	70-86	1,50
7B	248-7B	black imitation leather sack (Spider without centre console)	66-78	30,--
7C	248-7C	Stainless steel clamp f. gearshift bag, Spider,GT,Giulia, without centre console	63-77	48,--
8	248-8	black imitation leather sack for gear shift, Spider with centre console, 6 seams	70-80	30,--
8A	248-8A	black leather sack for gear shift, Spider without centre console	66-78	45,--
8B	248-8B	black imitation leather sack for gear shift, Spider, welded on top, 4 seams	81-86	30,--
8C	248-8C	blue imitation leather sack for gear shift, Spider with centre console	80-86	33,--
8D	248-8D	beige imitation leather sack for gear shift, Spider with centre console	80-86	33,--
8E	248-8E	black leather sack for gear shift, Spider with centre console, 6 seams	70-80	36,--
8F	248-8F	black leather sack for gear shift, Spider with centre console, 4 seams	81-86	36,--
8G	248-8G	black leather sack for gear shift, 4 seams	81-86	36,--
8H	248-8H	black faix leather sack f. gear shift, car with centre console, 4 seams	72-86	30,--
9	248-9	cover rubber for handbrake	63-87	79,--
10	248-10	black cover for handbrake, imitation leather, with push-button	66-86	30,--
10A	248-10A	beige cover for handbrake, imitation leather, with push-button	66-86	30,--
10B	248-10B	black cover for handbrake, leather, with push-button	66-86	41,--
10C	248-10C	beige cover for handbrake, leather, with push-button	66-86	41,--
10D	248-10D	lower part of push-button for handbrake cover	66-86	1,30
11	248-11	black cover for switches	81-86	19,--
11A	248-11A	chrome cover for switches	81-86	30,--



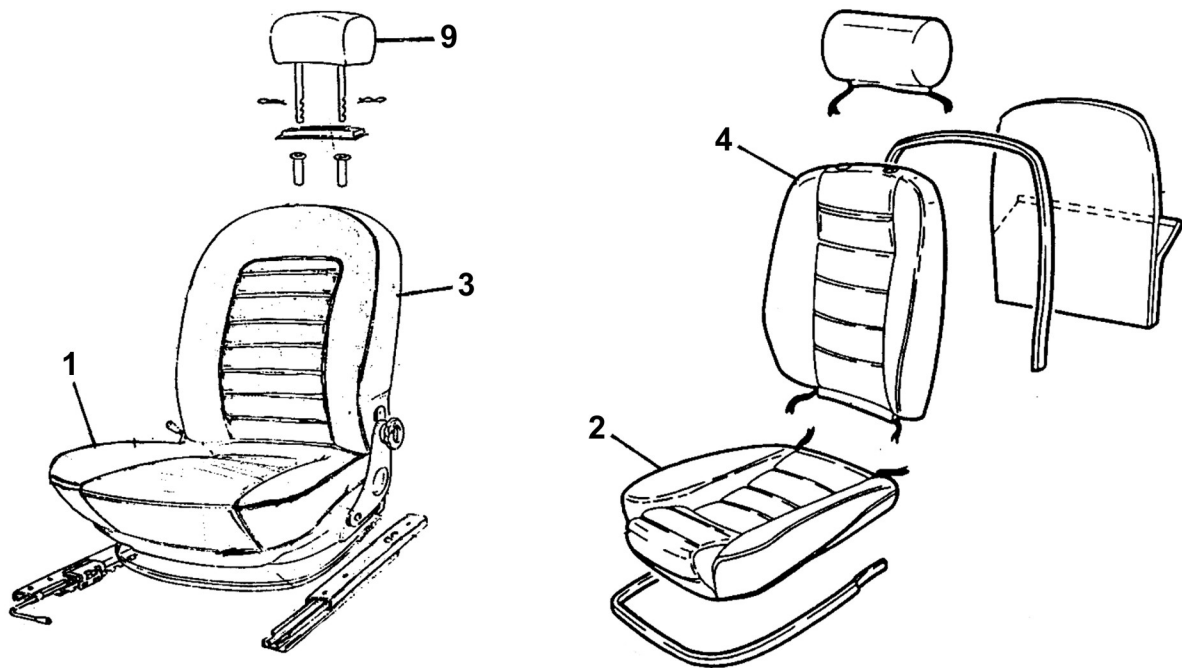
<u>Abb.</u>	<u>Item-nr.</u>	<u>Description</u>	<u>Year</u>	<u>Price</u> €
1	249-1	black centre console (tunnel covering) replacement part	87-94	295,--
1A	249-1A	beige centre console (tunnel covering) replacement part	87-94	350,--
2	249-2	black console upper centre for gear shift blind, rp	87-89	260,--
3	249-3	blind for heater actuation part	87-89	89,--
3A	249-3A	blind for heater actuation part	90-94	89,--
4	249-4	switch for heating blower	87-94	69,--
6	249-6	black ash-tray	87-94	on request
8	249-8	black gear shift sack, imitation leather	87-94	35,--
8A	249-8A	beige gear shift sack, imitation leather	87-94	35,--
8B	249-8B	black gear shift sack, leather	87-94	48,--
8C	249-8C	beige gear shift sack, leather	87-94	48,--
8D	249-8D	fixation clip for gear shift sack + cover for handbrake	87-94	1,50
9	249-9	black cover for handbrake, imitation leather	87-94	36,--
9A	249-9A	beige cover for handbrake, imitation leather	87-94	36,--
9B	249-9B	black cover for handbrake, leather	87-94	45,--
9C	249-9C	beige cover for handbrake, leather	87-94	45,--
11	249-11	cigarette lighter, Alfa	87-94	79,--
12	249-12	blind for switches and ash-tray	90-94	62,--
13	249-13	switch for fog tail lamp	83-86	99,--
14	249-14	switch for power windows	80-86	99,--
14A	249-14A	switch for power windows	87-94	95,--
15	249-15	switch for hazard warning lights	87-94	99,--
15A	249-15A	switch for hazard warning light and rear screen heating	87-94	99,--
17	249-17	switch for electric exterior mirror	83-89	86,--
17A	249-17A	switch for electric exterior mirror	90-94	on request
18B	249-18B	set carpet covering sideways, black left + right	87-94	on request
18C	249-18C	set carpet covering sideways, beige, right + left	87-94	149,--
19	249-19	interior lighting	87-94	25,--



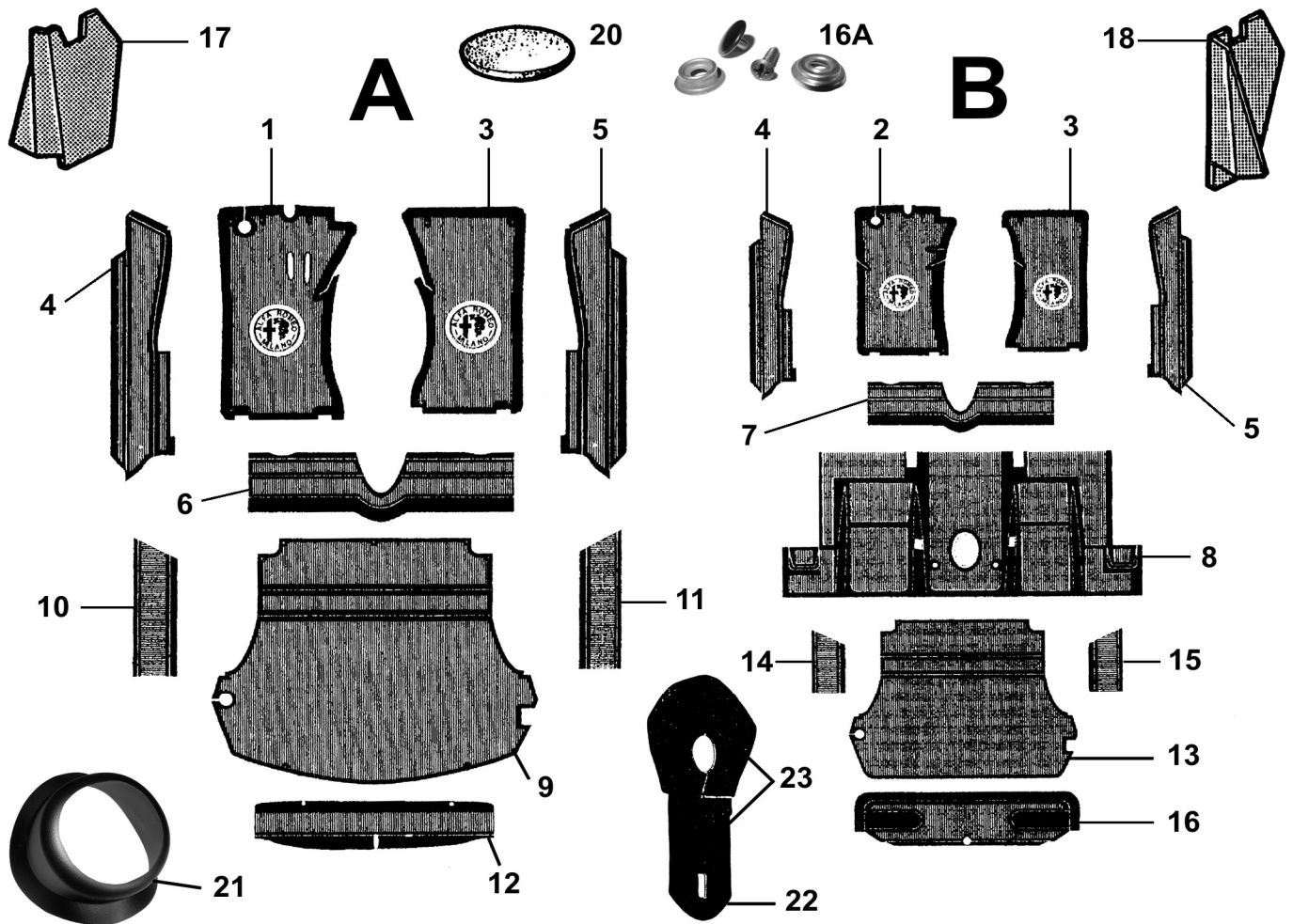
<u>Abb.</u>	<u>Item-nr.</u>	<u>Description</u>	<u>Year</u>	<u>Price</u> €
1	250-1	Safety belt guide, black (replacement 1300/1600)	66-82	25,--
1A	250-1A	safety belt guide, beige, replacement 1300-1600	66-78	25,--
3	250-3	headrest track black	66-94	16,--
3A	250-3A	retaining spring for headrest	70-94	4,--
3B	250-3B	headrest track beige	66-94	16,--
4	250-4	fixation screw for seat	66-94	4,--
6	250-6	set seat track (2 pieces)	66-94	195,--
7	250-7	set complete backrest adjustment mechanism, driver's seat	66-94	190,--
7B	250-7B	set backrest adjustment mechanism, passenger's seat	66-94	195,--
7D	250-7D	tube connection for backrest mechanism	66-94	25,--
8	250-8	sideward hinge cover	66-94	15,--
8A	250-8A	fixing screw, chromed, for backrest	66-94	4,80
8B	250-8B	set covers for 2 seat adjustment mechanism	66-69	115,--
8C	250-8C	Adjustment wheel black for backrest	66-94	65,--
9	250-9	lower headrest cover	66-94	25,--
10	250-10	screw for belt track outside	70-94	4,60
10A	250-10A	screw for belt track inside	70-94	3,50
11	250-11	security belt (3-point-automatic)	66-94	68,--
11B	250-11B	pelvic belt	66-80	56,--
11C	250-11C	set safety belts static, chromed	63-77	169,--
12	250-12	seat tub, metal with holding fixture for seat back	66-94	145,--
13	250-13	seat cushion with metal frame	88-94	88,--
14	250-14	seat cushion	66-86	68,--
15	250-15	retaining clip for seat covering, circa 20 mm	63-94	0,50
16	250-16	lower metal grid frame for seat cushion	66-86	32,--
17	250-17	fixation clip for seat covering	66-94	0,60
18	250-18	clip wire for backrest cushion	66-94	8,--
19	250-19	backrest cushion 1300/1600/1750	66-77	70,--
19A	250-19A	backrest cushion 1600 78-87 / 2000 70-87	78-87	70,--
19B	250-19B	protection rubber for backrest cushion	83-89	48,--
20	250-20	Set stopper gums for backrest, lower	66-69	12,--
21	250-21	rand for seat tray edging, 1,50 m	66-94	20,--



<u>Abb</u>	<u>Item.Nr</u>	<u>Description</u>	<u>Year</u>	<u>Price</u> €
1	251-1	black seat cover, quilted lengthwise	66-77	135,--
2	251-2	black seat cover, cross-quilted	78-82	135,--
3	251-3	black backrest cover, lengthwise-quilted	66-69	135,--
3A	251-3A	black backrest cover, lengthwise-quilted	66-77	135,--
3B	251-3B	black safety belt guide, alternative solution 1300/1600	66-78	22,--
3D	251-3D	black passenger right seat belt guide	70-94	59,--
4	251-4	black armrest cover, cross-quilted	78-82	135,--
5	251-5	set of black seat covers, lengthwise-quilted (1 seat, 2 parts)	66-69	245,--
5A	251-5A	set black seat covers, lengthwise-quilted 1 seat, 2 parts) leather	66-69	645,--
6	251-6	set of black seat covers, lengthwise-quilted (1 seat, 4 parts) 1750-1967/1300+1600-1970-1977	66-77	245,--
6A	251-6A	set of black leather seat covers, lengthwise-quil. (1 seat, 3 parts)	70-77	645,--
7	251-7	set of bordeaux red seat covers, lengthwise-quilted (1 seat, 2 parts)	66-69	245,--
7A	251-7A	set of bordeaux red seat covers, lengthwise-quilted (1 seat, 4 parts)	70-77	295,--
8	251-8	set of black seat covers, cross-quilted (1 seat, 4 parts)	78-86	245,--
8A	251-8A	set of black leather seat covers, cross-quilted (1 seat, 4 parts)	78-86	645,--
9	251-9	set of beige seat covers, cross-quilted (1 seat, 4 parts)	78-86	245,--
9A	251-9A	set of bordeaux red seat covers (1 seat 4 pieces)	78-86	245,--
9B	251-9B	set of beige seat covers lengthwise-quilted (1 seat 4 pieces)	66-78	245,--
13	251-13	complete headrest, black, 25 cm broad	70-82	135,--
13A	251-13A	complete headrest, beige, 25 cm broad	70-82	135,--
19	251-19	set of seat covers for backseats, black imitation leather	70-82	295,--
19A	251-19A	set of seat covers for backseats, black leather	70-82	560,--
19B	251-19B	set of seat covers for backseats, bordeaux imitation leather	69-78	295,--
20	251-20	black imitation leather, original Alfa (1 x 1,40m)	66-82	49,--
20A	251-20A	beige imitation leather, original Alfa (1 x 1,50m)	66-82	49,--



<u>Abb.</u>	<u>Item-nr.</u>	<u>Description</u>	<u>Year</u>	<u>Price</u> €
1	252-1	black seat cover, cross-quilted	83-86	135,--
2	252-2	black seat cover	87-94	135,--
3	252-3	black arm rest cover, cross-quilted	83-86	135,--
4	252-4	black arm rest cover	87-94	135,--
4E	252-4E	set black seat cover Alcantara 3 pieces	87-94	335,--
4F	252-4F	set beige seat cover Alcantara 3 pieces	87-94	335,--
4G	252-4G	set black seat cover leather imitation, 1 seat 4 pieces	87-94	340,--
4H	252-4H	set of black seat covers with red seams, 1 seat 4 pieces	87-94	340,--
4K	252-4K	set beige seat cover leather imitation, 1 seat 4 pieces	87-94	340,--
4L	252-4L	set black seat cover leather, 2 seats 8 pieces	87-94	1.250,--
4M	252-4M	set beige seat cover leather, 2 seats 8 pieces	87-94	1.250,--
5	252-5	set of black seat covers (1 seat, 4 parts)	83-86	235,--
5A	252-5A	set of black seat covers with red seams	87-94	245,--
6	252-6	serie sedili completo, pelle Alcantara nero	87-97	2.350,--
7	252-7	serie sedili completo, pelle Alcantara nero	87-94	2.350,--
8	257-8	set complete seats, black imitation leather with red seams	87-94	2.300,--
8A	257-8A	right complete seat, Conoli leather blue	70-86	1.390,--
9	252-9	black headrest cover	83-94	140,--
9A	252-9A	complete dark beige cover for headrest	83-86	140,--
9B	252-9B	black headrest cover with red seams	83-86	140,--
9D	252-9D	light beige headrest cover	87-94	140,--
10	252-10	dark beige Imitation Leather (1x1,40 m)	83-86	49,--
10A	252-10A	light beige imitation leather (1 x1,40 m)	87-94	49,--
11	252-11	black imitation leather (1 x 1,40 m)	66-94	49,--



<u>Abb.</u>	<u>Item-nr.</u>	<u>Description</u>	<u>Year</u>	<u>Price</u> €
A	253-A	set of rubber mats, 9-piece, incl. mat for boot (standing pedals)	66-69	970,--
B	253-B	set of rubber mats, 10-piece, incl. mat for boot	70-77	970,--
1	253-1	rubber mat for left foot well, standing pedals	66-69	110,--
2	253-2	rubber mat for left foot well, hanging pedals	70-79	110,--
3	253-3	rubber mat for right foot well	66-79	110,--
4	253-4	rubber mat, LH sillboard	66-79	99,--
5	253-5	rubber mat, RH sillboard	66-79	99,--
6	253-6	rubber mat, across (tunnel)	66-69	147,--
7	253-7	rubber mat, across (tunnel)	70-79	147,--
8	253-8	rubber mat for foot well, rear	70-79	170,--
9	253-9	rubber mat for boot floor	66-69	195,--
10	253-10	rubber mat for boot, LH	66-69	36,--
11	253-11	rubber mat for boot, RH	66-69	36,--
12	253-12	rubber mat for rear end metal sheet, inside	66-69	115,--
13	253-13	rubber mat for boot floor	70-82	188,--
14	253-14	rubber mat for boot, LH	70-82	39,--
15	253-15	rubber mat for boot, RH	70-82	39,--
16	253-16	rubber mat for rear end metal sheet, inside	70-82	129,--
16A	253-16A	fixation clip black for rubber floor mat	66-94	4,--
17	253-17	black a-pillar cover, LH	66-79	79,--
18	253-18	black a-pillar cover, RH	66-79	79,--
19	253-19	original bitumen coated insulating mat, 0,50 x 1,00	66-82	20,--
21	253-21	tunnel covering, bell 1300/ 1600, car without centre console	63-78	49,--
22	253-22	carpet for gearbox tunnel in front, 1300/1600/1750	66-77	70,--
23	253-23	carpet set for gearbox tunnel 1300/1600/1750	66-77	120,--
24	253-24	Button fixation for carpet	57-69	3,--

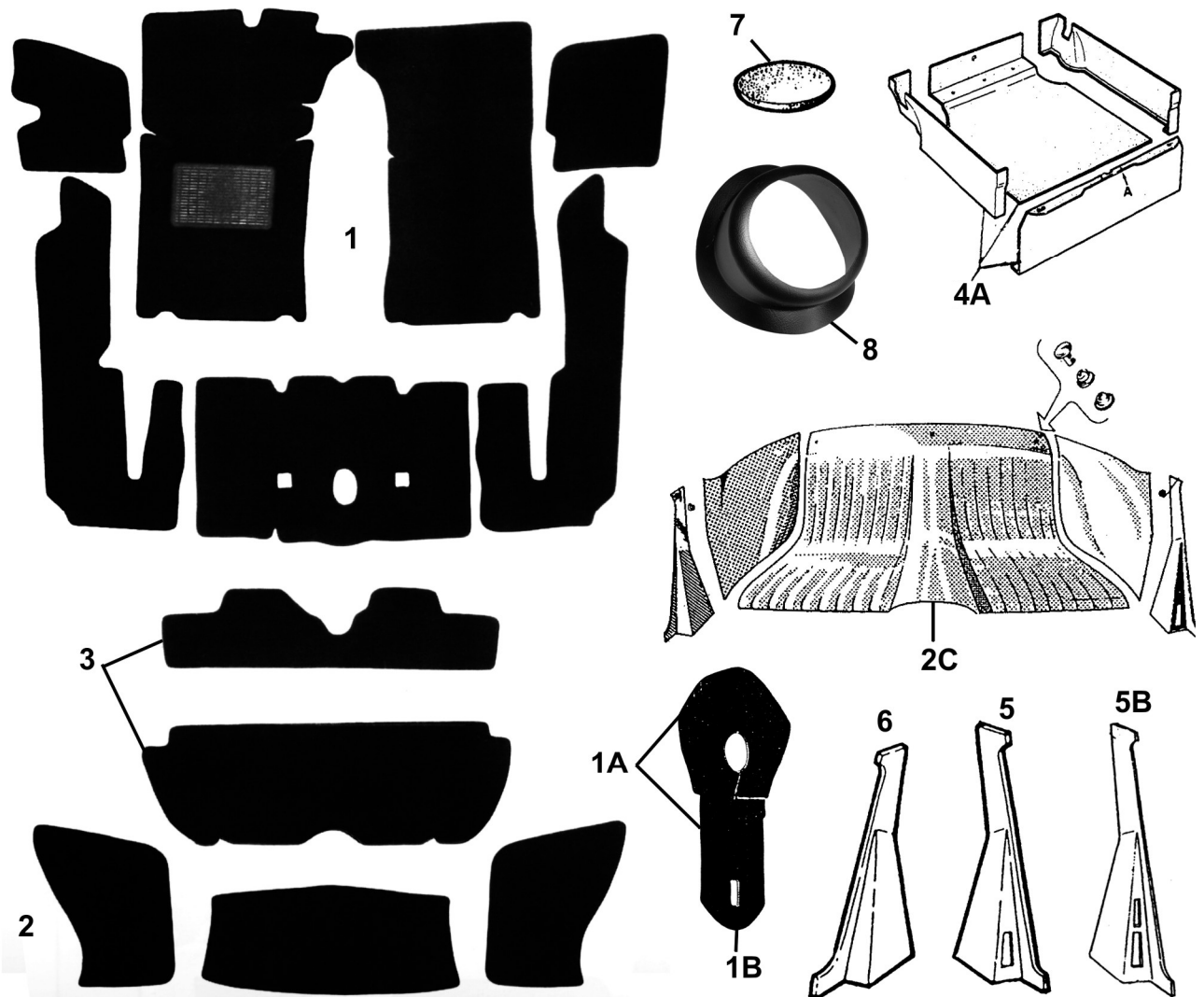
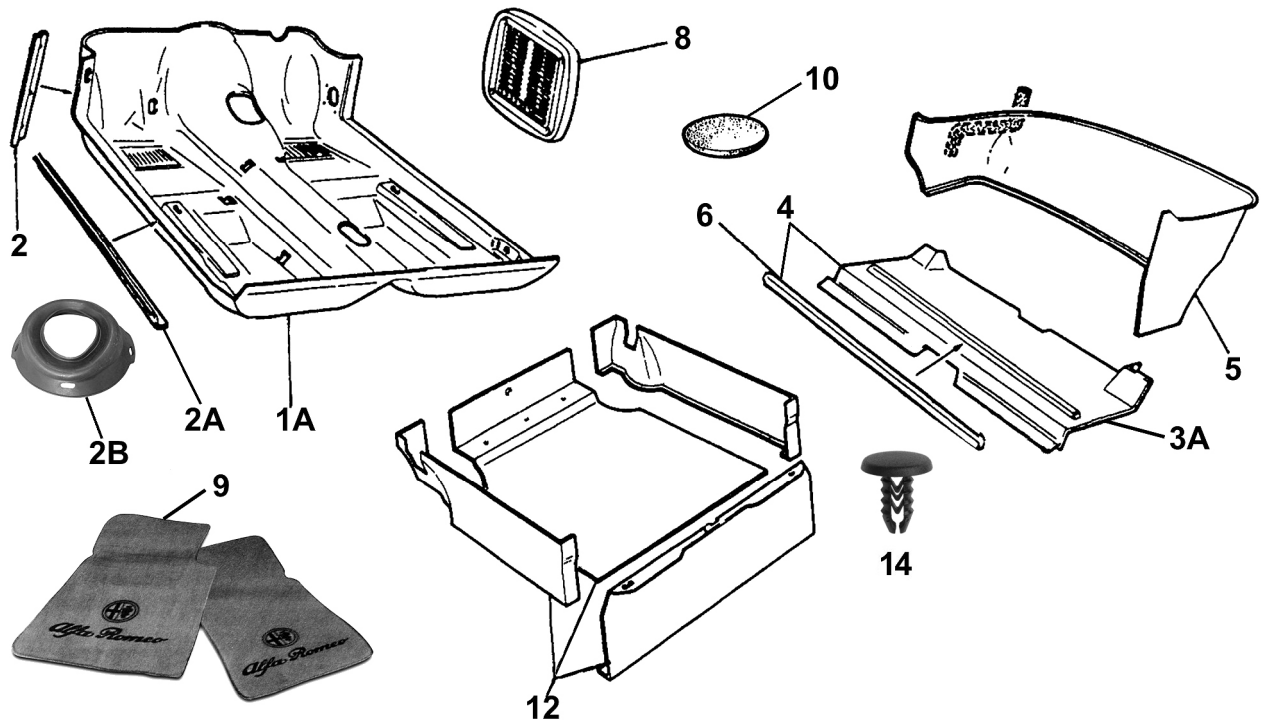
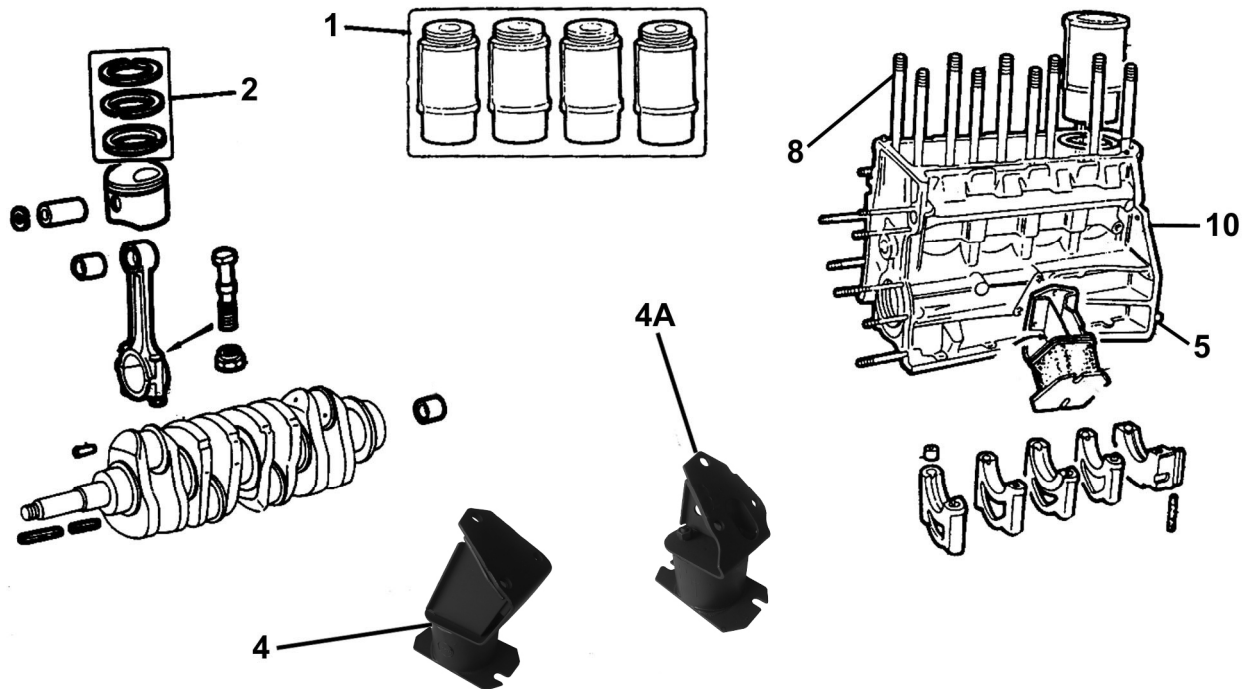


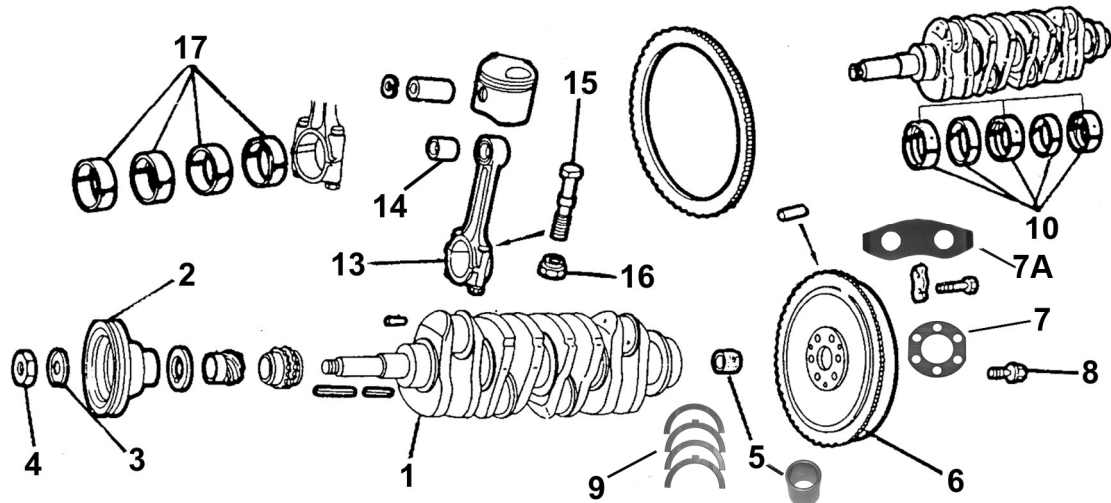
Abb.	Item-nr.	Description	Year	Price €
1	254-1	carpet set, black velour super, 1750-2000 (1600 ab 1978)	70-89	235,-
1A	254-1A	carpet, black velour, gearbox + drive-shaft cover, 2 pieces	66-69	120,-
1B	254-1B	carpet, black velour, gear tunnel cover	70-77	70,-
1C	254-1C	carpet set, black velour, 1300,1600, super	70-78	235,-
1D	254-1D	carpet set, black velour, 1300 / 1600 / 1750, super	66-69	235,-
1E	254-1E	original bitumen coated insulating mat, 0,50 x 1,00	66-94	20,-
2	254-2	original black carpet arch behind back seats, 3-piece	70-94	140,-
2A	254-2A	red-bordeaux imitation leather cover, 3-piece	70-94	179,-
2C	254-2C	black imitation leather cover, 3-piece, 1300 / 1600	66-77	210,-
3	254-3	black carpet for storage area, rear, 2-piece	70-94	140,-
4A	254-4A	black carpet set for boot	70-82	235,-
5	254-5	b- pillar covering, black, left RH	66-70	65,-
5A	254-5A	b- pillar covering, black, left	70-86	65,-
5B	254-5B	b-pillar covering, left, 2 cut-out, black	83-93	79,-
5C	254-5C	b-pillar covering, left, 2. cut-out, fawn	87-94	79,-
5D	254-5D	fixation screw for B- pillar covering	66-94	1,-
5E	254-5E	cap for fixation screw	66-94	3,50
6	254-6	b-pillar covering, right , black RH	66-70	65,-
6A	254-6A	b-pillar covering, right, black	70-86	65,-
6B	254-6B	b-pillar covering, right, black	83-93	79,-
6C	254-6C	b-pillar covering, right, fawn	87-94	79,-
8	254-8	tunnel covering, bell, 1300/1600, car without centre console	63-78	49,-
9	254-9	tunnel covering, bell, 1750/2000, car with centre console	69-86	49,-



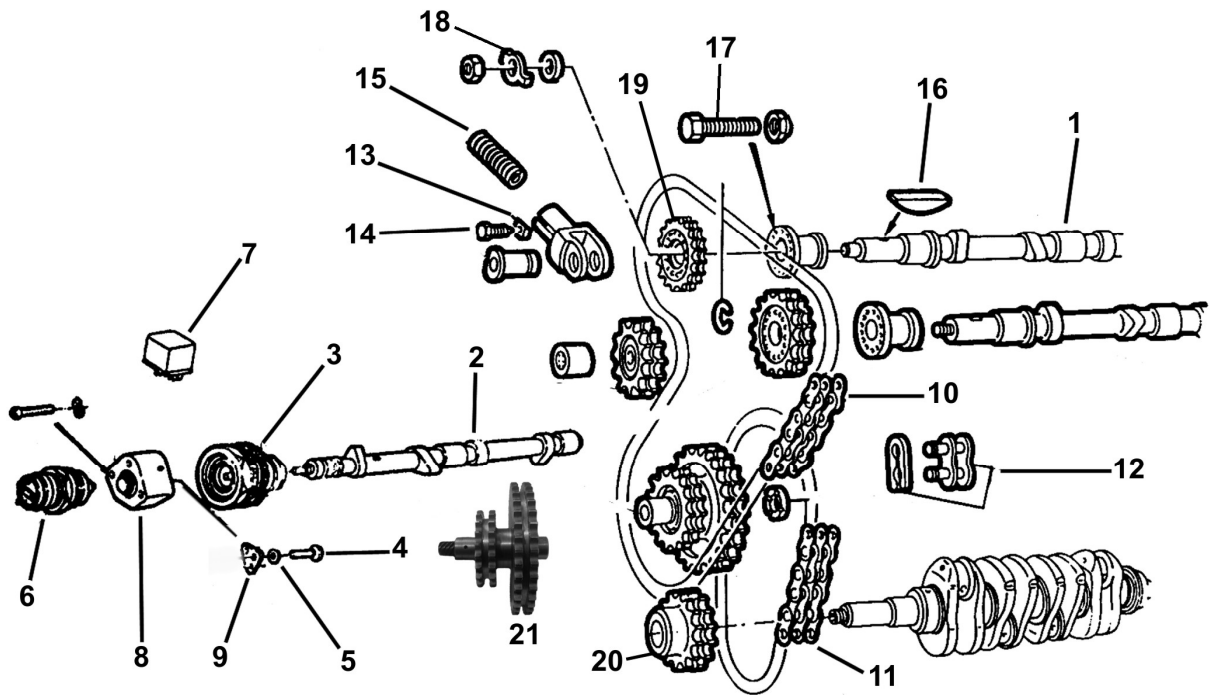
<u>Abb.</u>	<u>Item-nr.</u>	<u>Description</u>	<u>Year</u>	<u>Price</u> €
1	255-1	carpet tray, dark beige or claret red	70-86	890,--
1A	255-1A	carpet set black	87-94	330,--
1B	255-1B	carpet set, beige	87-94	330,--
1C	255-1C	fixation strip for carpet, a-pillar, black	70-94	20,--
2	255-2	fixation strip for carpet, a-pillar, stainless steel	70-94	25,--
2A	255-2A	sideway fixation strip for carpet, stainless steel	66-94	40,--
2B	255-2B	rubber cup below carpet	63-94	30,--
3A	255-3A	beige carpet for back seats, Repra	87-94	189,--
3B	255-3B	black carpet for back seats (formed component)	70-94	249,--
4	255-4	complete beige back seats with lining strip, original Alfa	70-94	445,--
4A	255-4A	complete black seats with lining strip, original Alfa	70-94	345,--
5	255-5	black original Alfa carpet arch (shaped) behind back seats	70-94	169,--
5A	255-5A	beige carpet arch (3 pieces) behind back seats, Repra	87-94	179,--
6	255-6	beige or red cross-strip with screw for black back seats	87-94	99,--
8	255-8	beige blind for speakers	87-94	30,--
8A	255-8A	black blind for speakers	87-94	69,--
9	255-9	set of black mats for foot well with Alfa emblem, standard	70-94	60,--
9A	255-9A	set of black mats for foot well with Alfa emblem, super	70-94	75,--
9B	255-9B	set of beige (sandy) mats for foot well with Alfa emblem	87-94	85,--
9C	255-9C	set of black mats for foot well with Alfa emblem	66-69	60,--
9D	255-9D	set of black or beige mats for foot well without Alfa emblem	70-94	85,--
9E	255-9E	set of black mats for foot well with Alfa emblem, super	87-94	85,--
11	255-11	insulating mat (bitumen coated on one side)	66-94	20,--
12	255-12	black carpet set for boot, carburetor models	83-94	269,--
13	255-13	beige carpet set for boot	87-94	275,--
13A	255-13A	black carpet set for boot	90-94	275,--
14	255-14	Black fixation button plastic for luggage boot carpet rear panel	87-94	3,80
14A	255-14A	Beige fixation button plastic for luggage boot carpet rear panel	87-94	4,--



<u>Abb.</u>	<u>Item.nr.</u>	<u>Description</u>	<u>Year</u>	<u>Preis</u>
1	256-1	set of pistons with rings, pins + cylinder sleeves 1300		549,-- €
1A	256-1A	set of pistons with rings, pins + cylinder sleeves 1600		549,--
1B	256-1B	set of pistons with rings, pins + cylinder sleeves 1750		549,--
1C	256-1C	set of pistons with rings, pins + cylinder sleeves 2000		549,--
1D	256-1D	set of sportive pistons with cylinder sleeves 2,0 compaction ca. 10,4:1		660,--
1E	256-1E	set of pistons with rings, pins and cylinder sleeves 2,0 i.E.	90-94	690,--
2	256-2	set of piston rings 1300, (f.4 pistons) 1,5/1,75/4,0, 74 mm	63-82	140,--
2A	256-2A	set of piston rings 1600, (f.4 pistons) 1,5/1,75/3,5, 78 mm	66-94	140,--
2B	256-2B	set of piston rings 1600, (f.4 pistons) 1,5/1,75/4,0, 78 mm	66-94	140,--
2C	256-2C	set of piston rings 1750, (f.4 pistons) 1,5/1,75/3,5, 80 mm		140,--
2D	256-2D	set of piston rings 1750, (f.4 pistons) 1,5/1,75/4,0, 80 mm		140,--
2E	256-2E	set of piston rings 2000, (f.4 pistons) 1,5/1,75/4,0, 84 mm	70-94	140,--
2F	256-2F	set of piston rings 2000, (f.4 pistons) 1,5/1,75/4,5, 84 mm	70-94	140,--
2G	256-2G	set of piston rings 1300, (for 4 pistons) 2,0/2,0/4,0, 74 mm	54-60	140,--
3	256-3	gasket for cylinder sleeve, 1300	63-78	2,10
3A	256-3A	gasket for cylinder sleeve, 1600, 1750	63-94	2,10
3B	256-3B	gasket for cylinder sleeve, 2000	70-94	2,10
4	256-4	engine mount, LH	63-94	45,--
4A	256-4A	engine mount, RH	63-94	45,--
4B	256-4B	Motor rubber bearing, (racing) 75 shore	63-89	115,--
5	256-5	locating pin for engine block, transmission system	63-94	3,90
5A	256-5A	locating pin for engine block, front	63-94	3,--
6	256-6	dowel pin for engine, transmission system, LH	63-94	5,50
7	256-7	dowel pin for engine, transmission system, RH	63-94	5,50
8	256-8	dowel pin for engine, cylinder head M. 12,1750-2000	68-94	26,--
8A	256-8A	dowel pin for engine, 1300	63-78	29,--
8B	256-8B	dowel pin for engine, cylinder head M. 11 -1600	63-94	29,--
10E	256-10E	used engines and parts on request		

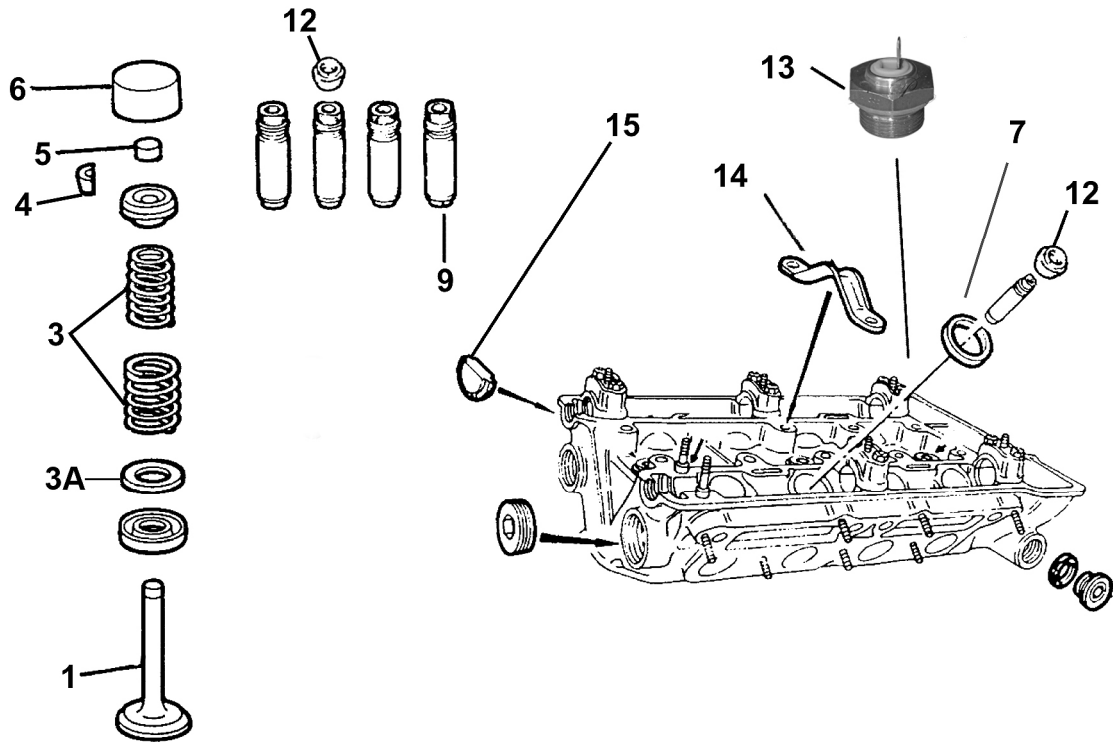


<u>Abb.</u>	<u>Item-nr.</u>	<u>Description</u>	<u>Year</u>	<u>Price</u>
1	257-1	crankshaft new 1600	66-89	1180,-- €
1A	257-1A	crankshaft new 2000	70-94	1250,--
2	257-2	used belt pulley, steel, 105 mm	90-94	195,--
3	257-3	security plate for belt pulley	63-94	5,--
4	257-4	fixation nut for belt pulley	63-89	17,--
4A	257-4A	fixation nut for belt pulley 2.0 i.E.	90-94	10,--
5	257-5	guiding bush for crankshaft, transmission system, 20 mm, 1750	67-72	9,80
5A	257-5A	guiding bush f. crankshaft, transmission system, 20 mm, 1300/1600/2000	63-94	9,--
6	257-6	fly wheel, 6 holes, 130 teeth, 7,3 kilo optimal, hydraulic clutch	70-89	590,--
6A	257-6A	fly wheel, 8 holes 110 teeth, 6,25 kilo optimal	63-78	521,--
6B	257-6B	gear rim for flywheel 130 teeth		120,--
6C	257-6C	annulus for fly wheel, 110 teeth	63-89	120,--
7	257-7	safety plate for fly wheel 6 holes	75-94	8,--
7A	257-7A	safety plate for fly wheel 8 holes	63-78	3,30
8	257-8	screw for fly wheel 6 holes	75-94	9,--
8A	257-8A	screw for fly wheel 8 holes	63-78	7,50
9	257-9	set of washer disks, standard	63-94	19,50
9A	257-9A	set of thrust washers 1. oversize		24,--
10	257-10	main bearing set, 1300-2000	63-94	59,--
10A	257-10A	main bearing set, 1300-2000 first oversize 0,10	63-94	68,--
10B	257-10B	main bearing set, 1300-2000, 2nd oversize 0,20	63-94	68,--
11	257-11	safety plate for 1 / 2 / 3 / 4 main bearing	63-94	1,70
11A	257-11A	safety plate for 5. Main bearing	63-94	1,50
12	257-12	rubber cylinder for 5th bearing set	63-94	3,--
13	257-13	connecting rod 1750/2000	70-94	145,--
14	257-14	bush for con rod 1300	63-78	21,--
14A	257-14A	bush for con rod 1600 / 1750 / 2000	66-94	22,--
15	257-15	screw for con rod 1300	63-78	25,--
15A	257-15A	screw for con rod 1600 / 1750 / 2000	67-94	25,--
16	257-16	nut for con rod screw 1300	66-94	4,--
16A	257-16A	nut for con rod screw 1600 / 1750 / 2000	67-94	4,50
16B	257-16B	safety plate for nut 1300	63-78	1,30
16C	257-16C	safety plate for nut 1600 / 1750 / 2000	67-94	1,30
17	257-17	big end bearing set, standard 1300	63-78	80,--
17A	257-17A	big end bearing set, first oversize 0,10, 1300	63-78	81,--
17A1	257-17A1	big end bearing set, 2nd oversize 0,20, 1300	63-78	85,--
17B	257-17B	big end bearing set, standard 1600 / 1750 / 2000	66-94	55,--
17C	257-17C	big end bearing set, first oversize 0,10, 1600 / 1750 / 2000	63-94	54,--
17D	257-17D	big end bearing set, 2nd oversize 0,20, 1600-2000	63-94	59,--
18	257-18	set safety plates f. main bearing, camshaft, belt pulley	63-94	22,--



<u>Abb.</u>	<u>Item-nr.</u>	<u>Description</u>	<u>Year</u>	<u>Price</u> €
1	258-1	camshaft 1300 / 1600 – carburettor (Hub 9,50) intake + outlet		290,--
1A	258-1A	camshaft 1750 / 2.0 - carburettor (serie 105.48 /131PS=96,35kW)	68-82	290,--
1B	258-1B	set of sportive camshafts 297 grad /11,6	63-89	595,--
1C	258-1C	camshaft, outlet 2000, injection		295,--
1D	258-1D	camshaft intake 1750 / 2,0 (2,0 i.E. only outlet)	68-94	295,--
2	258-2	camshaft intake with phase setting 2000 i.E.	87-94	320,--
3	258-3	phase setting for intake of camshaft 2000 i.E.	87-94	599,--
6	258-6	magnetic switch for phase setting 2000 i.E.	90-94	169,--
9A	258-9A	long camshaft timing chain with chain lock, 1300	63-83	35,--
10	258-10	long camshaft timing chain with chain lock, 1600	63-94	35,--
10A	258-10A	long camshaft timing chain with chain lock, 1750 / 2000	70-90	37,--
10B	258-10B	camshaft timing chain 1750 / 2000, Iwis	70-94	74,--
10C	258-10C	long camshaft timing with chain lock 1600, Iwis		73,--
10D	258-10D	timing chain long, Iwis, 1300, adaptation for 750 possible		73,--
11	258-11	short camshaft timing chain, 750,101,105,115,116,75	63-94	20,--
11A	258-11A	short camshaft timing chain, Iwis 1600/1750	63-94	39,--
12	258-12	chain lock	63-94	4,50
13	258-13	spline for chain tensioner	63-94	4,--
14	258-14	screw for chain tensioner	63-94	6,50
15	258-15	spring for chain tensioner	63-94	7,--
16	258-16	spline for camshaft	63-94	4,--
17	258-17	fixation screw for camshaft	63-94	4,--
17A	258-17A	fixation nut for screw	66-94	1,--
18	258-18	security plate for camshaft	63-94	2,50
18A	258-18A	fixation nut for chain wheel	63-94	2,10
20	258-20	cog wheel for camshaft timing chain on crankshaft	63-94	198,--
21A	258-21A	Distance disk, brass for item 258-21	63-94	14,--
21B	258-21B	cog wheel for long camshaft timing chain without pinion for rational-speed sensor	82-94	249,--

used parts on request



<u>Abb.</u>	<u>Item.nr.</u>	<u>Description</u>	<u>Year</u>	<u>Price</u> €
1	259-1	intake valve 1300	63-82	14,--
1A	259-1A	intake valve 1600 /01750	66-89	11,--
1B	259-1B	intake valve 2000	70-89	17,--
1C	259-1C	intake valve 2000 i.E	90-94	16,50
2	259-2	outlet valve, chrome steel, 1300	63-82	14,--
2B	259-2B	outlet valve, chrome steel, 1600 / 1750	63-77	16,--
2D	259-2D	outlet valve, chrome steel, 2000	70-94	16,--
3	259-3	set valve spring 16 pieces	63-94	62,--
3A	259-3A	basis for spring	63-94	2,50
3B	259-3B	disc for valve spring	63-94	On request
4	259-4	cutter valve 9mm	63-94	2,50
5	259-5	valve adjusting dies (specify the size!)	63-94	11,80
5A	259-5A	valve adjusting dies (205 pieces) 1,5-2,5	63-94	460,--
5B	259-5B	valve adjusting dies (205 pieces) 2,525-3,5	63-94	460,--
6	259-6	valve lifter (beaker)	63-94	21,50
7	259-7	valve seat, intake 1300, non-leaded	63-94	13,50
7A	259-7A	valve seat, intake 1600 / 1750, non-leaded	63-94	13,50
7B	259-7B	valve seat, intake 2000, non-leaded	63-94	14,50
7C	259-7C	valve seat, intake 1300, 1. over	57-78	15,--
7D	259-7D	valve seat, intake 1600/1750, 1. over	60-94	15,--
8	259-8	valve seat, outlet 1300, non-leaded	63-94	13,50
8A	259-8A	valve seat, outlet 1600 / 1750, non-leaded	63-94	13,50
8B	259-8B	valve seat, outlet 2000, non-leaded	63-94	14,50
9	259-9	valve guide, intake, standard, carburettor model	63-94	10,65
9A	259-9A	valve guide, intake, first oversize 51x14,10x9	63-94	12,90
10	259-10	valve guide, outlet, standard	63-94	9,65
10A	259-10A	valve guide, outlet, first oversize 54x14,10x9	63-94	12,90
11	259-11	valve guide, intake and outlet, injection engine	88-94	10,50
12	259-12	valve stem seal, carburettor model	63-94	3,20
12A	259-12A	valve stem seal, strengthened, Alfa with spring	63-94	5,40
12B	259-12B	valve stem seal, injection engine	90-94	5,50
13	259-13	temperature sensor to cylinder head	87-94	29,--
14	259-14	mounting clip for cylinder head	63-94	18,--
15	259-15	crecent gasket	63-94	2,30
16	259-16	lower alloy for cylinder head	63-94	19,--

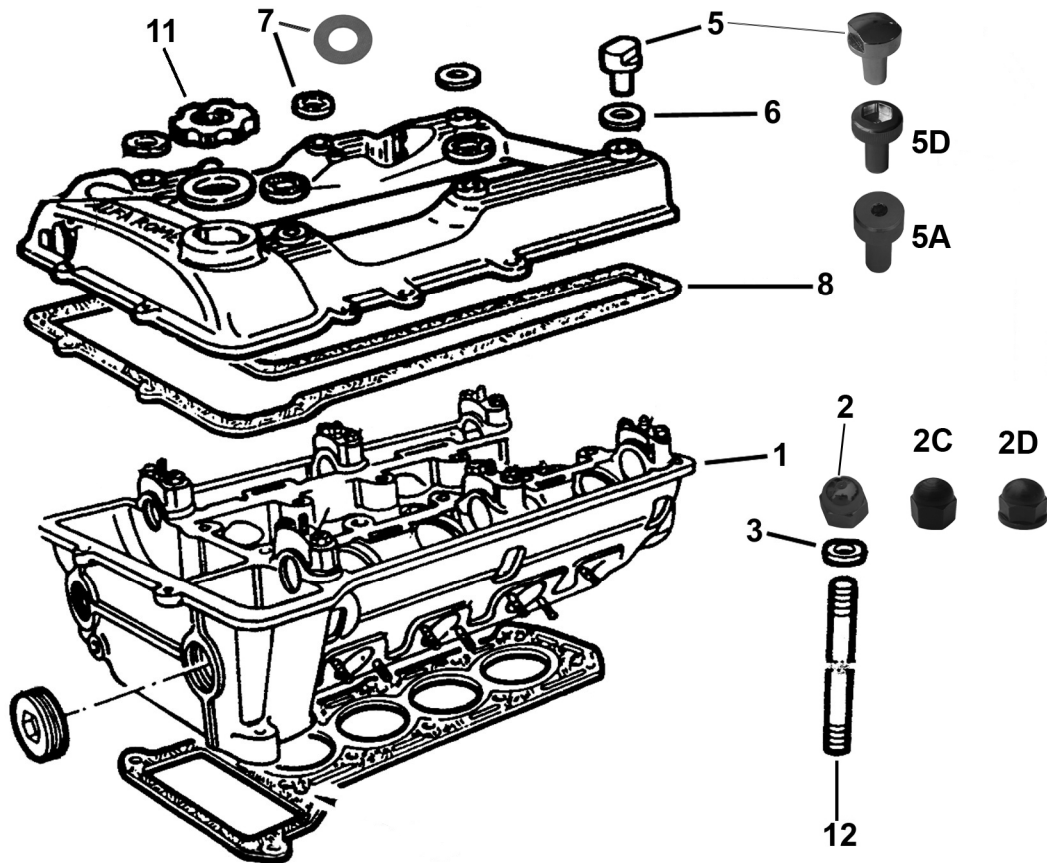
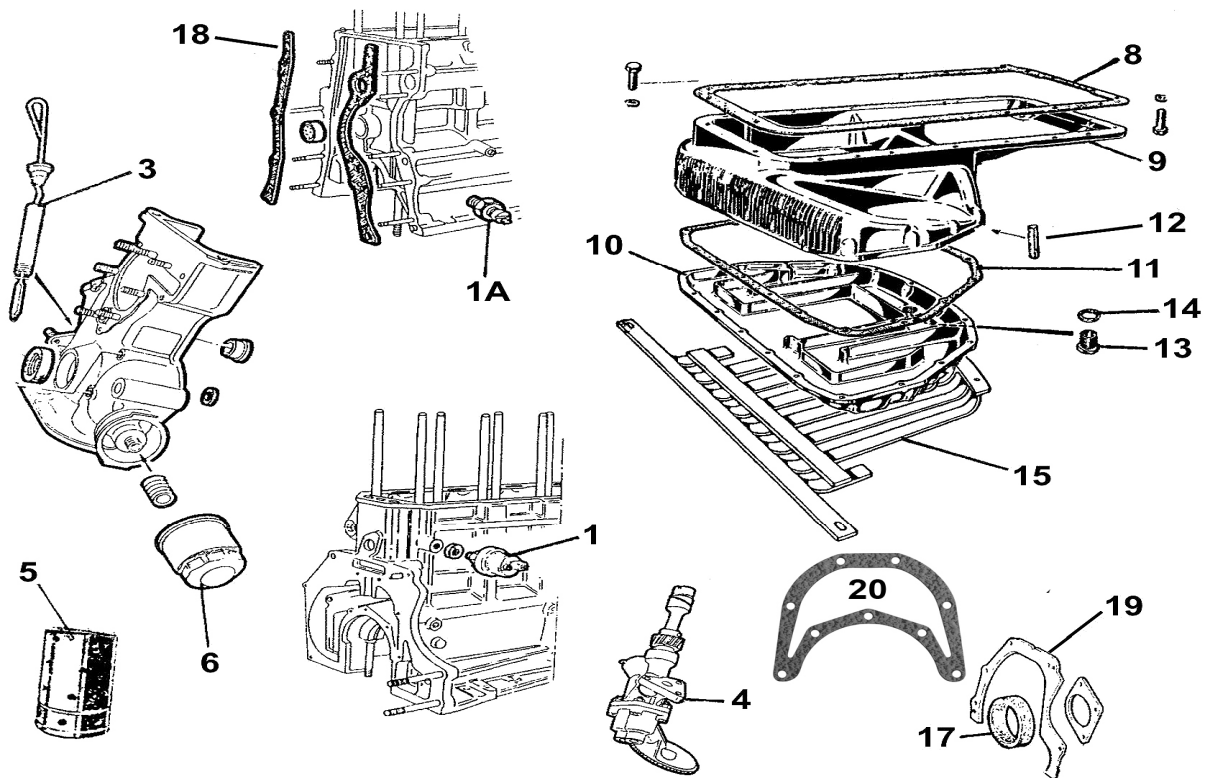
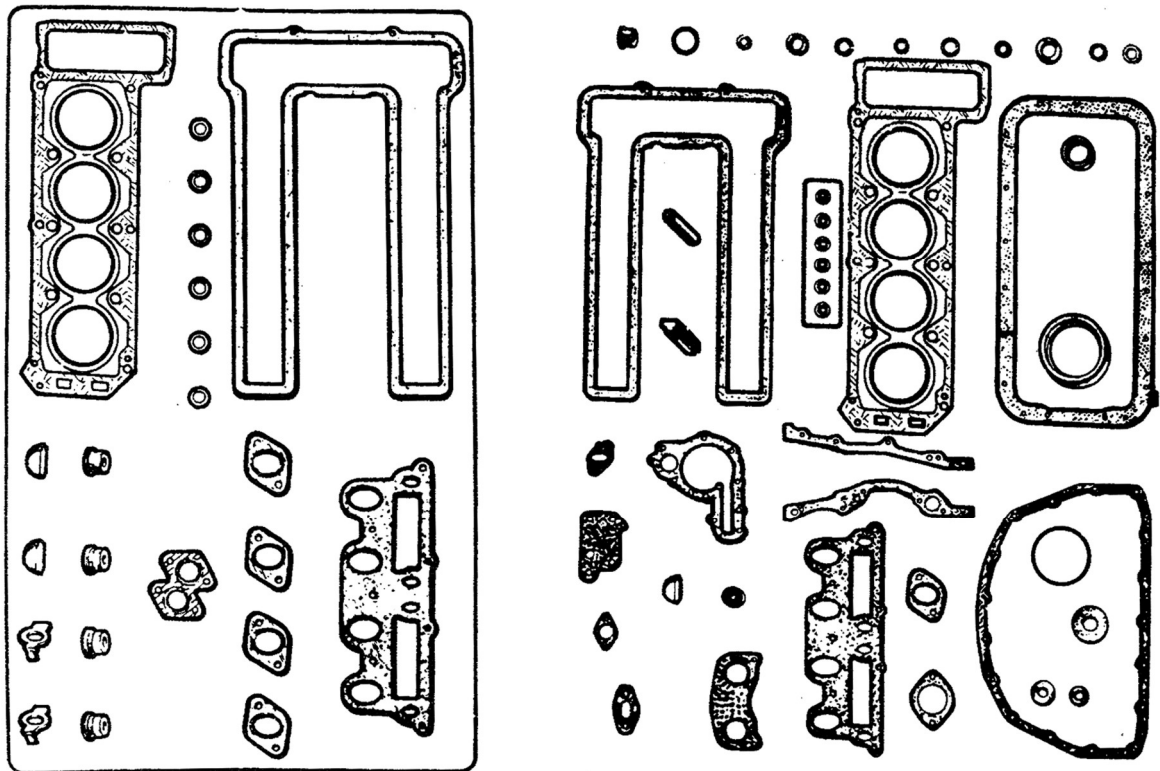


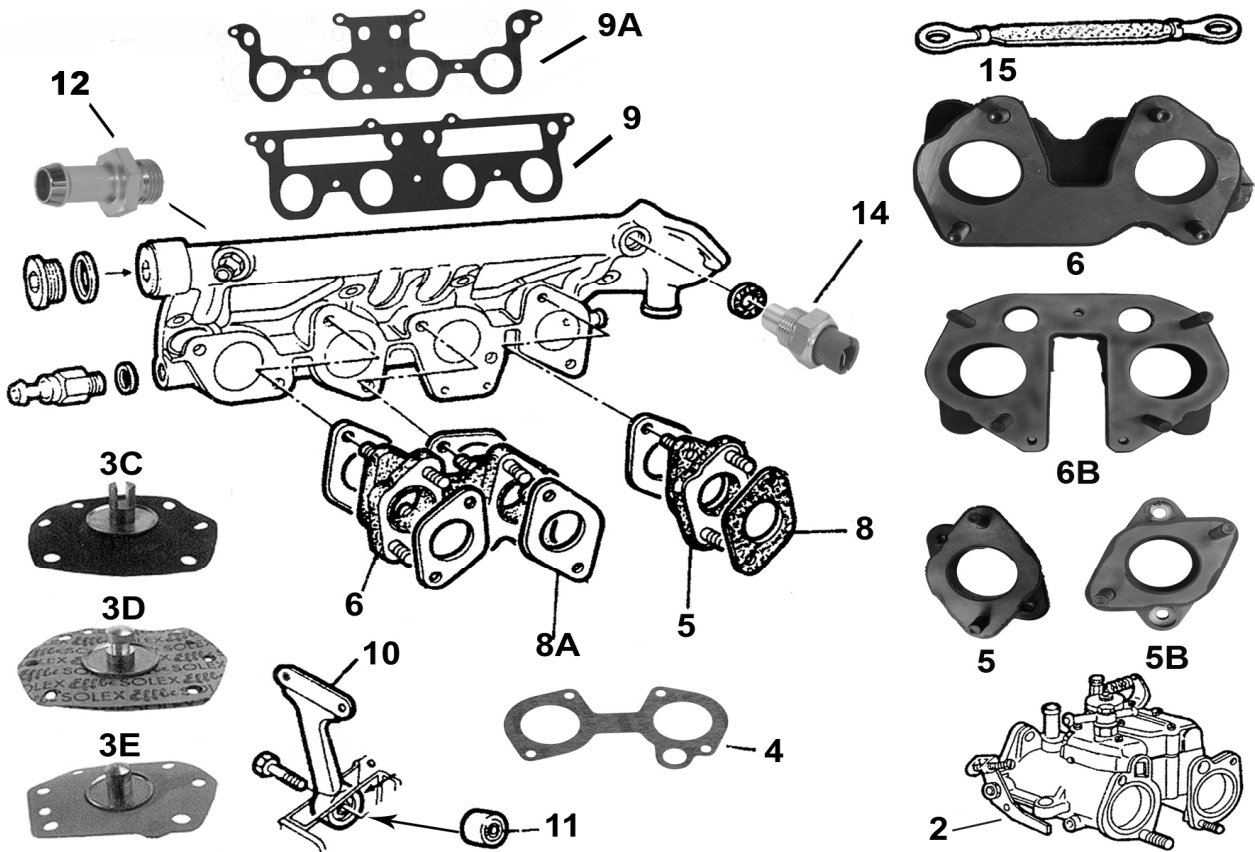
Abb.	Item-nr.	Description	Year	Price €
1E	260-1E	cylinder head 1750 part, complete with camshaft + valves	67-75	2300,--
2	260-2	cap nut chromed for cylinder head, tool size 19	70-94	8,50
2A	260-2A	chromed cap nut for cylinder head, tool size 17, 1300/1600	63-94	8,50
2B	260-2B	non chromed cap nut for cylinder head, tool size 19, 2,0		9,--
2C	260-2C	cap nut for cylinder head, tool size 17, 1300/1600	54-78	8,50
2D	260-2D	cap nut for cylinder head with integrated flat washer, tool size 17, 1300/1600	54-69	9,50
2E	260-2E	cap nut for cylinder head with integrated flat washer, tool size 19, Montreal	70-77	8,50
3	260-3	washer for cap nut	63-94	1,55
5	260-5	valve cover nut chrome-plated 1600-2000	70-94	8,50
5A	260-5A	chromed allen nut for valve cap 1600-2000	70-94	8,--
5D	260-5D	screw nut for valve cap chromed 1300-1600	54-68	23,--
5E	260-5E	black screw nut for valve cap 1300-1600	54-68	22,--
6	260-6	washer (alloy) for screw on valve cover	66-94	1,50
7	260-7	paper washer for allen nut, valve cap	63-94	1,50
8	260-8	valve cap gasket con silicon underlay	63-94	21,--
8A	260-8A	Reinz valve cap gasket, strengthened	63-94	37,80
8B	260-8B	valve cap gasket 1300/1600 without nose		22,--
9	260-9	gasket crankcase connection, venting valve cover		2,50
11	260-11	metal oil filler cap	63-86	9,50
11A	260-11A	chromed metal oil filler cap	63-86	17,90
11B	260-11B	plastic pill filler cap	87-94	48,--
11C	260-11C	gasket for oil filler cap	58-89	4,--
12	260-12	mounting bolt for cylinder head, 1750/2000	70-94	26,--
12A	260-12A	mounting bolt for cylinder head, 1600	68-89	29,--
12B	260-12B	mounting bolt for cylinder head, 1300	63-82	29,--
13	260-13	thread nut, carburettor head, exhaust manifold	63-94	1,85
14A	260-14A	fine thread nut 8 x 1, brass	63-94	1,--
14B	260-14B	fine thread nut 8 x 1, steel, carburettor fixation	63-89	1,--



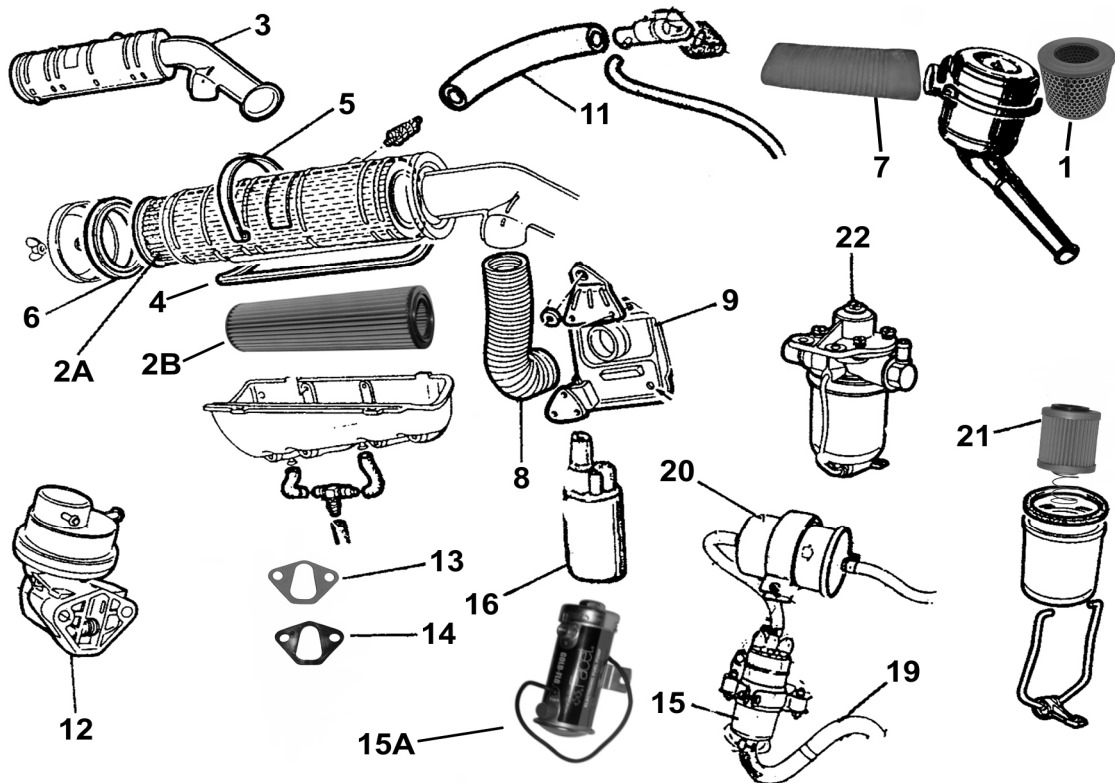
<u>Abb.</u>	<u>Item-nr.</u>	<u>Description</u>	<u>Year</u>	<u>Price</u> €
1	261-1	oil pressure sensor, first series	63-71	49,--
1A	261-1A	oil pressure sensor, second series	68-94	58,--
1B	261-1B	oil pressure switch for control lamp at lower left	63-89	15,80
1C	261-1C	oil pressure sensor 1. series, Idrostop original	63-71	79,--
1D	261-1D	oil pressure sensor 2. series, Veglia original	68-94	79,--
3	261-3	oil dipstick, carburettor models	63-87	36,--
3A	261-3A	oil dipstick, injection models	90-94	22,--
4	261-4	oil pump 2. series	66-94	300,--
4A	261-4A	rubber rings for oil pump	63-94	1,50
4B	261-4B	oil pump original	63-65	495,--
4C	261-4C	paper seal for oil pump	57-94	3,--
5	261-5	oil filter inserts, 1300 / 1750	64-70	12,90
6	261-6	oil filter cartridge with gasket, all models	70-94	9,50
6A	261-6A	oil filter cartridge, Alfa original	70-94	13,50
7	261-7	gasket oil filter flange (1. Serie) 750/101/105		4,50
8	261-8	gasket for upper oil pan	64-94	28,--
8A	261-8A	gasket for upper oil pan Reinz	63-94	35,--
9	261-9	upper part of oil pan	63-94	280,--
10	261-10	lower part of oil pan	67-94	196,--
10A	261-10A	lower part of oil pan, flat construction	63-67	240,--
11	261-11	gasket for lower part of oil pan	64-94	6,50
11A	261-11A	gasket for lower part of oil pan Reinz		21,--
12	261-12	gasket, tee	64-94	4,--
13	261-13	gasket, tee	64-94	11,50
14	261-14	washer for oil-drain plug	64-94	1,60
15	261-15	oil pan protection, zinc plated	64-94	99,--
16	261-16	oil seal, engine, front	64-94	8,--
17	261-17	oil seal, crankshaft, back, 82/105/12 Alfetta, GTV 116, Montreal	64-89	18,--
17A	261-17A	oil seal, crankshaft, back, 84/105/12 Spider 90-94, GTV6, 155,	90-94	23,--
18	261-18	set gaskets for control system housing, RH and LH 1300	63-82	8,--
18A	261-18A	set gaskets for control system housing 1600	66-89	8,--
18B	261-18B	set gaskets for control system housing 1750 / 2000	67-94	8,--
19	261-19	spacer plate, engine / transmission system	63-94	69,--
20	261-20	gasket for bearing cover rear	63-94	3,80
21	261-21	sealing ring on engine block f. ignition distributor	63-94	3,--
22	261-22	rubber ring for oil duct, 101/105		2,--



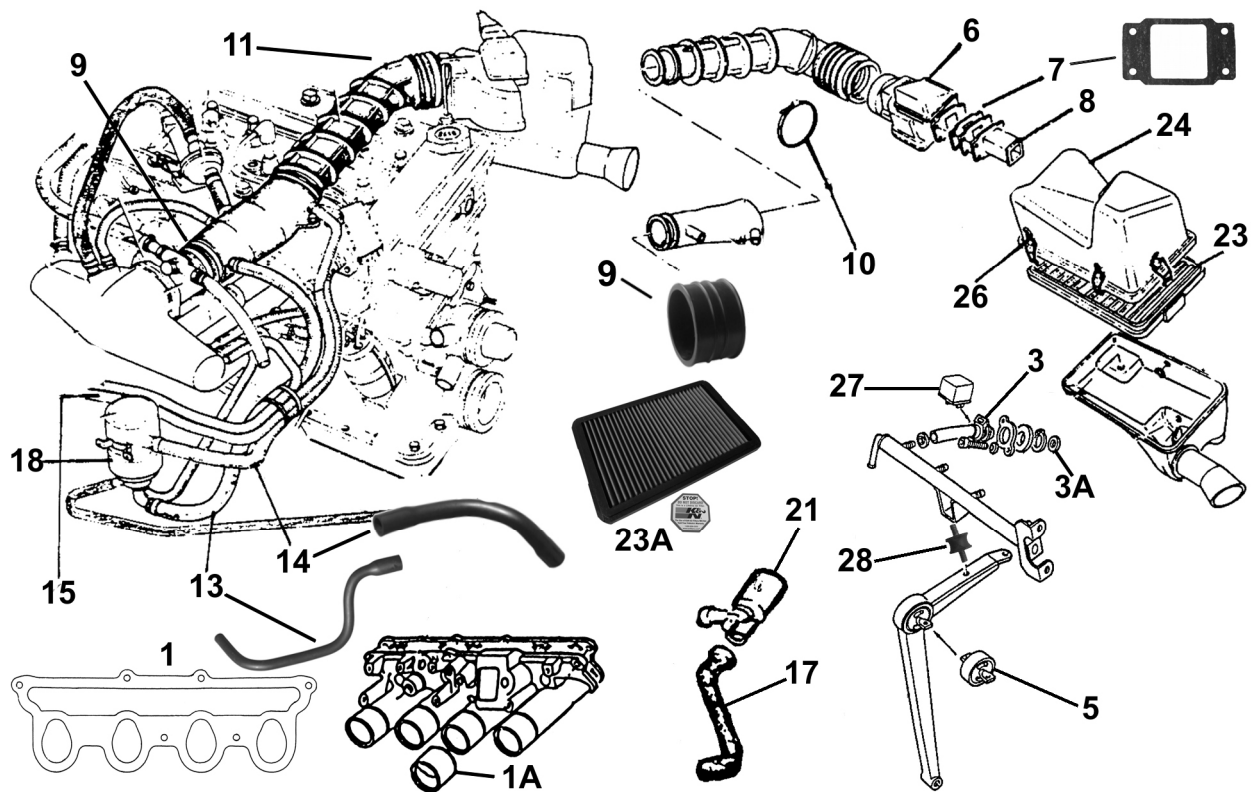
<u>Abb.</u>	<u>Item-nr</u>	<u>Description</u>	<u>Year</u>	<u>Price</u> €
1	262-1	set of engine gaskets 1300, with cylinder-head gasket, no oil seals	63-80	98,--
1A	262-1A	set of engine gaskets 1600, with cylinder-head gasket, no oil seals	63-94	98,--
1B	262-1B	set of engine gaskets 1750, with cylinder-head gasket, no oil seals	67-78	98,--
1C	262-1C	set of engine gaskets 2000, with cylinder-head gasket, no oil seals	70-94	98,--
2D	262-2D	cylinder-head gasket 1300	63-80	54,90
2E	262-2E	cylinder-head gasket 1600	63-94	54,90
2F	262-2F	cylinder-head gasket 1750	67-78	54,90
2G	262-2G	cylinder-head gasket 2000	70-94	54,90
2H	262-2H	copper cylinder-head gasket 2000, 1,8 mm	63-94	69,--
2J	262-2J	copper cylinder-head gasket 1600, 1,8 mm dick	63-94	69,--
2K	262-2K	washer for cylinder-head gasket, Reinz	63-94	0,80
2L	262-2L	copper cylinder-head gasket,1750, 1,8 mm	63-94	69,--
2M	262-2M	copper cylinder-head gasket 1300, 1,8 mm	63-94	69,--
2N	262-2N	cylinder-head gasket 1600 Payen, 1,9 mm	57-78	59,--
2O	262-2O	cylinder-head gasket 2000 Payen, 1,9 mm	60-94	59,--
3	262-3	valve cap gasket, strengthened, silicon overlay	63-94	21,--
4	262-4	Reinz valve cap gasket, strengthened	63-94	37,80
5	262-5	paper washer for allen-nut, valve cap gasket	63-94	1,50
6	262-6	crescent gasket for cylinder head	63-94	2,30
7	262-7	sealing part for upper oil pan	63-94	28,--
7A	262-7A	gasket for upper oil pan Reinz	63-94	6,--
8	262-8	lower sealing part for oil pan	63-94	6,50
8A	262-8A	gasket T-profile, lower part of oil pan	63-94	3,70
8B	2+62-8B	gasket for lower part of oil pan Reinz		21,--
9	262-9	gasket set for water pump	63-94	3,--
10	262-10	gasket for intake manifold (carburettor) 1600/ 2000	63-89	12,--
10A	262-10A	gasket for intake manifold 2.0 injection	90-94	19,--
12	262-12	oil seal for front crankshaft	64-94	8,--
13	262-13	oil seal for rear crankshaft 82 /105 /12 Alfetta, GTV 116, Montreal	63-89	18,--
13A	262-13A	oil seal for rear crankshaft, 84 / 1055 / 12	90-94	23,--
14	262-14	oil seal for front crankshaft, 35/80/10, original quality	63-94	14,50
14A	262-14A	oil seal for rear crankshaft, 82/105/12, original quality	62,89	29,--
14B	262-14B	oil seal for rear crankshaft, 84/105/12, original quality	90-94	33,--



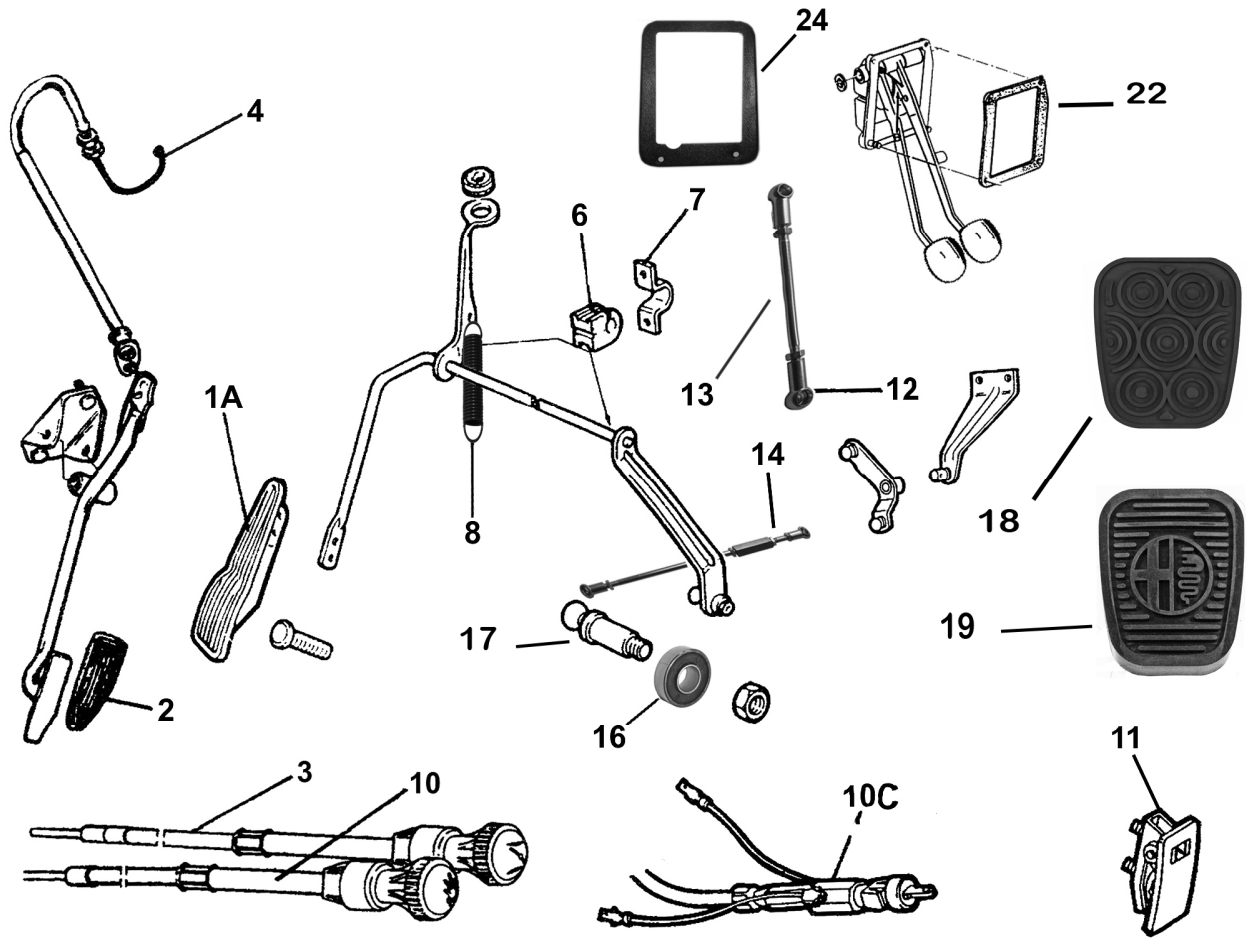
<u>Abb.</u>	<u>Item-nr.</u>	<u>Description</u>	<u>Year</u>	<u>Price</u>
2	263-2	Weber carburettor orig., 40, 1+2, front, 1600	68-94	590,--
2A	263-2A	Weber carburettor orig., 40, 3+4, rear, 1600	68-94	590,--
2B	263-2B	Weber carburettor, 40, 1+2, front, 2000	70-94	590,--
2C	263-2C	Weber carburettor, 40, 3+4, rear, 2000	70-94	590,--
2D	263-2D	Weber carburettor, 45, DCOE 152, front	63-94	590,--
3A	263-3A	set of carburettor gaskets with float gauge needle valve membranes, Weber double W101,	66-94	56,--
3B	263-3B	set of carburettor gaskets with float gauge needle valve and membranes, Del Orto 40 Ø 1300/2000	63-94	59,--
3C	263-3C	set of carburettor gaskets with float gauge needle valve + membranes, Solex double carburettor, 40 ADDHE 32	63-94	49,--
3D	263-3D	set of carburettor gaskets with float gauge needle valve + membranes, Solex double carburettor, 40 ADDHE 20/24/29S142.	63-94	49,--
3E	263-3E	set of carburettor gaskets with float gauge needle valve + membranes, Solex double carburettor, 40 DDH 3/5/7/8/S102	63-94	49,--
3F	263-3F	gasket for Carburettor Solex C32 Paia, Giulia 1300	63-68	36,--
3G	263-3G	carburettor gasket set Weber 45 Ø		48,--
4	263-4	gasket for carburettor apron	63-94	2,30
4A	263-4A	gasket for carburettor apron, 32 or 35 Paia	59-65	11,50
5	263-5	single muff for carburettor 1300 / 1600 / 1750 / 2000 - 40	63-89	23,--
5A	263-5A	single muff for carburettor 45 mm Pirelli	63-94	59,--
5B	263-5B	single muff for carburettor, 40 mm Spider 1600/Alfetta/Alfa 75	90-93	45,--
6	263-6	double muff for carburettor 1300 / 1600 / 1750 / 2000 - 40	63-94	57,90
6A	263-6A	fine thread nut 8 x 1, steel for carburetor muff	63-89	0,90
6B	263-6B	double muff for carburetor, 40 mm Spider 1600/Alfetta/Alfa 75	90-93	89,--
7A	263-7A	set suction muff alloy 40mm	72-94	185,--
7B	263-7B	set suction muff (3 pieces) 40 mm, with gasket	63-89	96,--
8	263-8	muff gasket 40 mm Ø	63-89	1,20
8A	263-8A	muff gasket, 45 mm Ø	63-94	2,--
8B	263-8B	muff gasket 40 mm Ø Spider 1600, Alfetta, Alfa 75, 90	9094	1,20
9	263-9	gasket for intake manifold , carburettor models 1600 / 2000	63-89	12,--
9A	263-9A	gasket for intake manifold, 1300	63-77	16,--
9B	263-9B	Joint collector admission, Spider 1600	90-93	16,50
10	263-10	return valve for intake manifold		49,--
11	263-11	bush for carburettor socket	64-89	10,--
12	263-12	water connection piece for intake manifold		21,--
13	263-13	venting screw f. "water" Intake manifold		8,--
14	263-14	temperature sensor on intake manifold	63-94	25,--
15	263-15	ground strap for carburettor muff, 150 mm	63-89	12,90



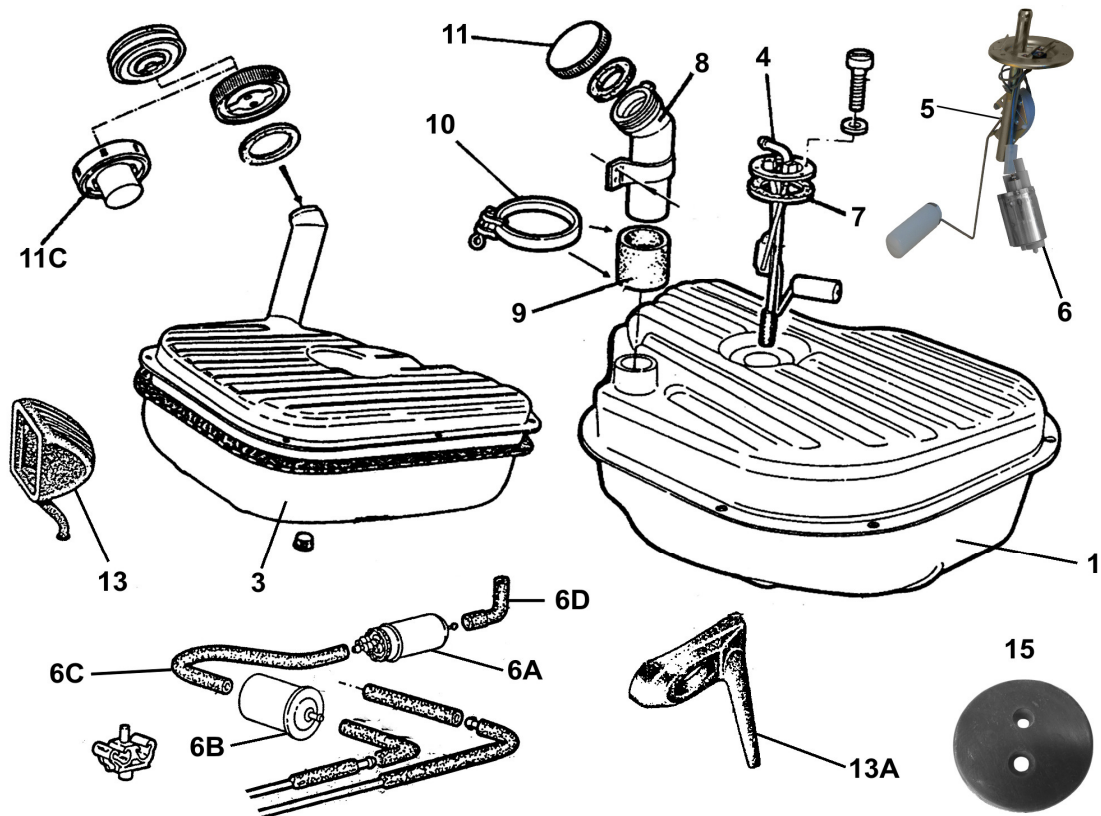
<u>Abb.</u>	<u>Item.nr.</u>	<u>Description</u>	<u>Year</u>	<u>Price</u> €
1	264-1	air filter, Giulia 1300 TI, 1600 TI, Fispa (14,5 cm x 10 cm wide)	64-67	32,--
1A	264-1A	air filter, Giulia mod. carburetor, Fram; 130mm		35,--
1B	264-1B	air filter, Bertone, Spider RH, 21,5x14x10	64-69	45,--
2	264-2	air filter, 35 cm 1600/ 2000		20,50
2A	264-2A	air filter, 40 cm length, 1300 / 1600 / 1750 / 2000	67-89	20,50
2B	264-2B	sportive air filter, K&N, 40 cm length	67-89	119,--
2C	264-2C	air filter 2 pieces USA-Version, Spica mechanical injection	70-82	39,90
3	264-3	air filter housing for filter, carburettor	67-89	279,--
4	264-4	lower gasket between filter box and housing	67-89	8,--
4A	264-4A	lower gasket between filter box + housing 1. series 1300/1750	63-69	10,--
5	264-5	fixation clip for air filter housing	67-89	21,--
7	264-7	connection hose air filter, carburettor	66-67	38,--
7A	264-7A	clamp for hose, Ø 96,5	66-67	21,50
8	264-8	pre-heating hose, air filter to pre-heating metal sheet	67-94	10,50
9	264-9	pre-heating metal sheet	67-89	98,--
10	264-10	Intake box 1600,101,105 until 1968	62-68	350,--
11	264-11	ventilation hose for crankcase	63-94	9,50
12	264-12	petrol pump, carburetor model Alfetta / Giulietta	63-87	35,--
12A	264-12A	lifter in engine block for actuation petrol pump	63-89	18,--
13	264-13	gasket for petrol pump, carburettor model	63-89	2,10
14	264-14	plastic muff for petrol pump, injection model	63-89	4,--
15	264-15	electric petrol pump, injection model 0,27-0,38 bar 90l/h	83-94	145,--
15A	264-15A	electric petrol pump, Facet silvertop 0,3 bar 70l/h	63-94	120,--
16	264-16	feed pump in tank, injection model	83-94	120,--
17	264-17	relay for electric petrol pump	86-94	85,--
18	264-18	fuel pressure regulator	86-94	120,--
19	264-19	petrol line (flexible rubber) 1m	54-94	5,--
19A	264-19A	clamp (Romablok) for 8 mm fuel line	54-94	5,--
19B	264-19B	clamp for petrol hose original Romablok 17-19 mm		5,--
19C	264-19C	petrol line steel rigid, 8mm, 3 m long		32,--
20	264-20	petrol filter, injection model	87-94	20,--
21	264-21	petrol filter, 35mm, Fispa	63-77	7,45
21A	264-21A	petrol filter, 42mm, Technocar	70-89	8,50
22	264-22	petrol filter housing with inspection glass, 42 mm, King	63-77	93,--
23	264-23	complete petrol filter with housing, 42 mm, Technocar	78-89	95,--
24	264-24	petrol filter for Spica		23,--
25	264-25	petrol filter - Prefilter – 6/8 mm		4,50



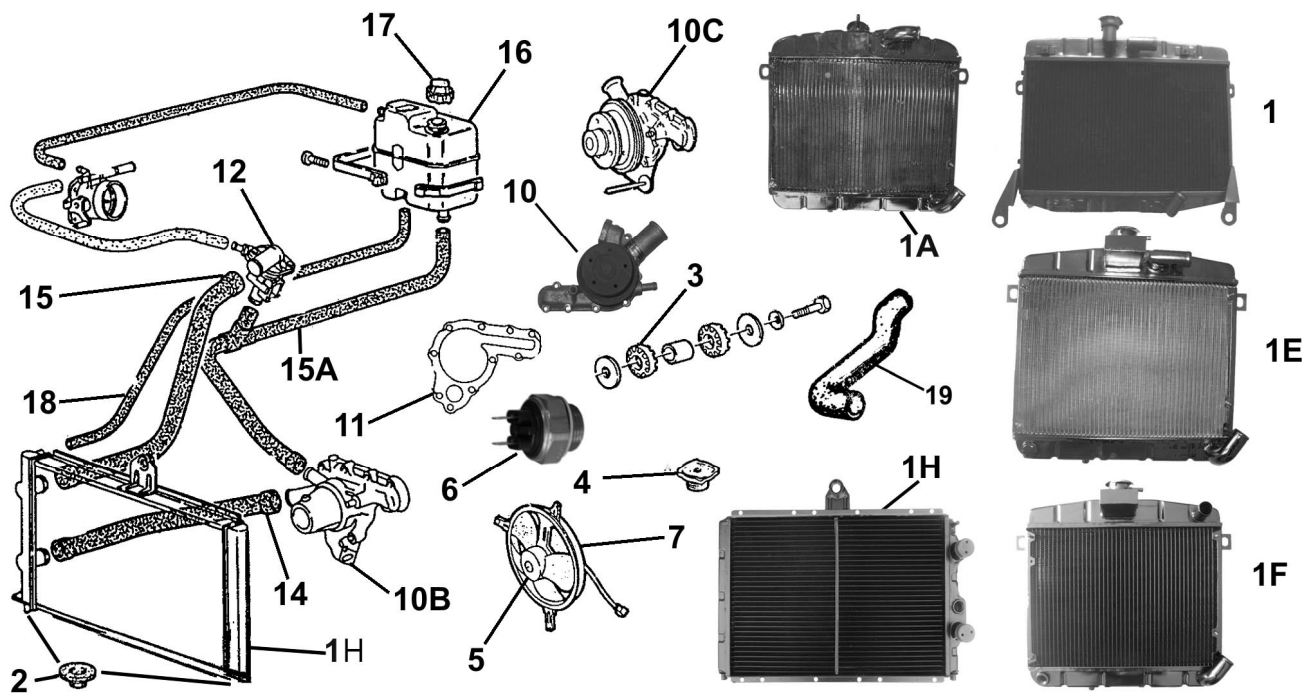
<u>Abb.</u>	<u>Item-nr.</u>	<u>Description</u>	<u>Year</u>	<u>Price</u> €
1	265-1	suction muff gasket for injection system	87-94	19,--
1A	265-1A	tube from intake pipe to injection system, Spider/ 75/ 90 /155	86-94	10,50
2	265-2	injection system Bosch	86-94	1.000,--
3	265-3	fuel injector with gasket	90-94	280,--
3A	265-3A	gasket for fuel injector	86-94	6,15
5	265-5	bush for connecting piece (injection system)	66-94	38,--
6	265-6	air quantity sensor	86-94	510,--
		Pledge for air quantity sensor: 140 Euros, will be refunded if old sensor is sent free to us within 14 days. Caution: refund only for repairable parts.		
7	265-7	side gasket for air quantity sensor	86-94	6,--
8	265-8	connection liner	86-94	10,--
9	265-9	air aspiration hose on intake manifold	86-94	23,--
10	265-10	clamp for hose	86-94	7,80
10A	265-10A	Clamp for hose Bosch L-Jetronic	80-89	9,50
11	265-11	Intake hose Spider 75-88-92	85-93	62,--
13	265-13	air ventilation hose, intake manifold to separator, injection	86-94	35,--
14	265-14	air ventilation hose, valve cap to separator, injection	86-94	28,--
17	265-17	hose for valve timing chain, intake pipe	86-94	35,--
17A	265-17A	tube from thermostat – distributor – injection box upper	87-94	15,--
18	265-18	oil separator	86-94	169,--
21	265-21	valve for idle balancer	86-94	169,-
22	265-22	fuel pressure regulator	86-94	120,--
23	265-23	air filter Spider i.E. / Alfa 75 :2.0+2.5 from 85 / twinspace to 87, Alfetta 2.o (Bosch Motronic) 81 / Alfa 6: 2.5 83 7 Alfa 90	86-94	25,--
23A	265-23A	air filter sport, K&N	63-94	85,--
24	265-24	filter box, complete	87-94	150,--
26	265-26	clip for air filter box, injection	86-94	4,--
27	265-27	relay for electric fuel pump	86-94	85,--
28	265-28	rubber damper, connecting piece for injection system	86-94	25,--



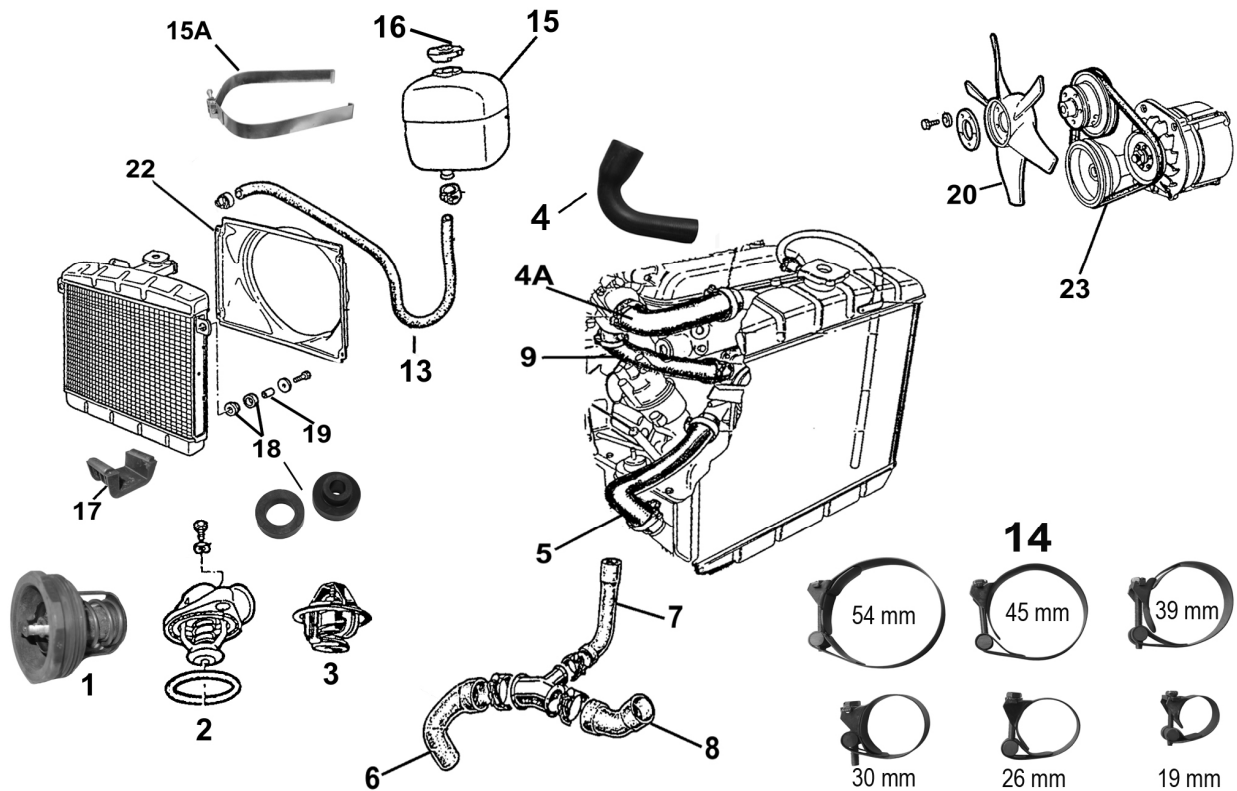
<u>Abb.</u>	<u>Item-nr.</u>	<u>Description</u>	<u>Year</u>	<u>Price</u> €
1	266-1	accelerator pedal with rubber	63-70	41,--
1A	266-1A	accelerator pedal with rubber	70-86	39,--
1B	266-1B	rubber stop on the bottom for accelerator pedal	63-87	2,50
2	266-2	rubber for accelerator pedal only for 87-94	87-94	5,--
3	266-3	manual carburetor control cable with round black button, without symbol	70-86	22,--
3A	266-3A	manual carburetor control cable with round black button, with symbol	70-86	33,--
3B	266-3B	manual carburetor control cable, mod. without console 1300/1600	63-78	14,80
4	266-4	carburetor control cable, Spider, carburetor models	87-94	29,--
4A	266-4A	carburetor control cable, Spider, injection models	87-94	29,--
5	266-5	clip for carburetor control cable	87-94	1,30
6	266-6	rubber bearing bush for carburet throttle controls	63-86	3,50
7	266-7	clamp for rubber bearing bush	63-86	6,30
8	266-8	tension spring for carburet throttle controls	63-68	6,90
10	266-10	choke linkage all models without center console 1300 / 1600	63-74	18,--
10A	266-10A	choke linkage, without symbol, Spider	70-86	22,--
10B	266-10B	choke linkage, with symbol, Spider	70-86	35,90
10C	266-10C	choke linkage, Spider	87-94	35,--
11	266-11	actuation lever for choke linkage	87-94	35,--
12	266-12	swivel head for carburet linkage (metal)	63-89	4,20
13	266-13	short thread rod for carburet throttle controls	63-89	12,50
14	266-14	Long thread rod for carburet throttle controls	63-89	18,--
16	266-16	bush for carburet throttle controls	63-86	4,--
17	266-17	ball pin for gas linkage	66-94	7,50
18	266-18	clutch- or brake pedal rubber	63-94	3,90
19	266-19	set of pedal lining with Alfa emblem	63-94	15,--
20	266-20	bush for clutch	63-94	4,--
21	266-21	clutch cable for mechanic clutch	63-70	19,80
22	266-22	seal for pedal bracket (hanging pedals 66-69)	70-94	25,--
23	266-23	rubber cover for pedals, standing pedals	66-69	85,--
24	266-24	pedal plate Spider, standing pedals	66-69	59,--



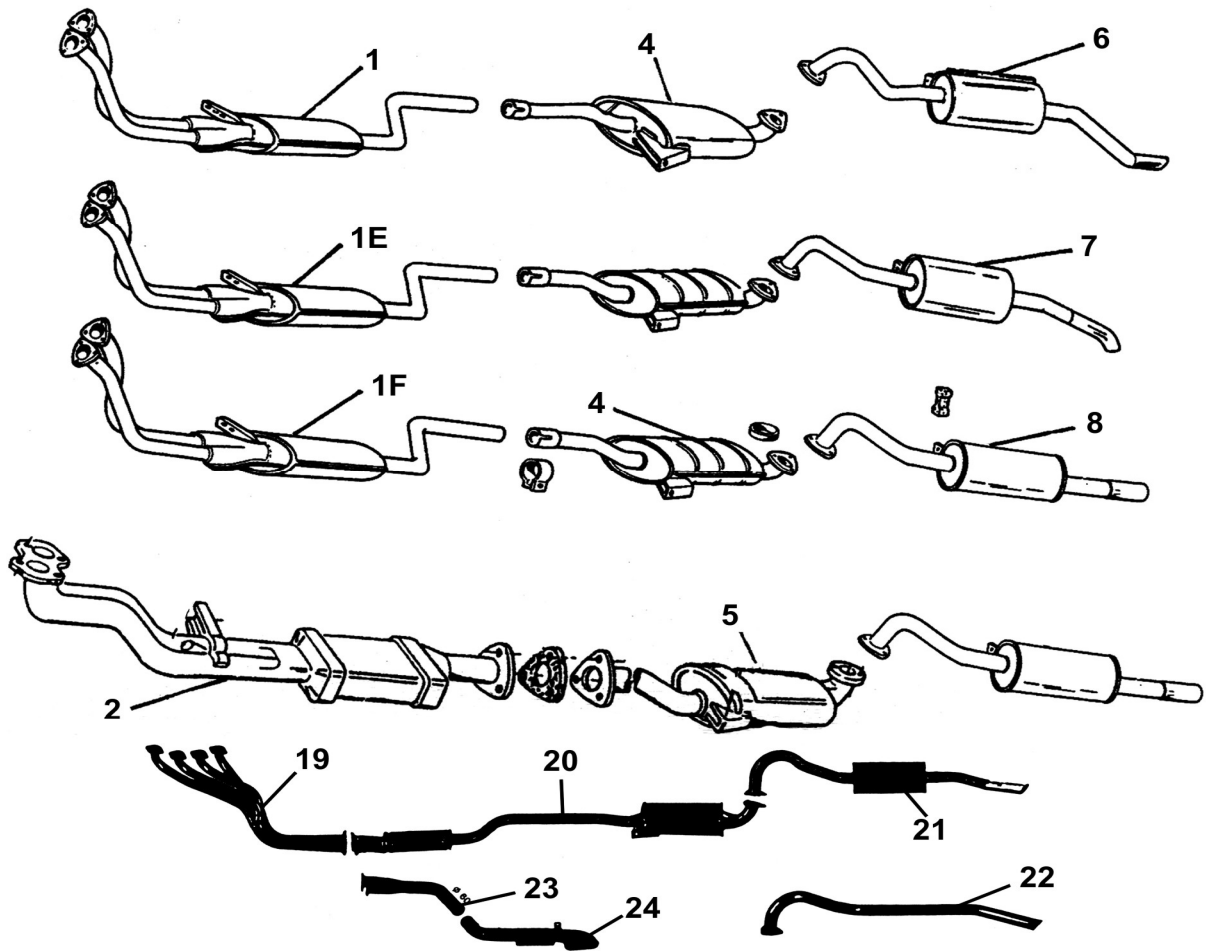
<u>Abb.</u>	<u>Item-nr.</u>	<u>Description</u>	<u>Year</u>	<u>Price</u> €
1	267-1	petrol tank, Spider 2.0 L, carburettor models	70-94	285,--
1A	267-1A	petrol tank, Bertone 2,0	70-77	330,--
1B	267-1B	petrol tank, Giulia, Berlina	63-78	310,--
1C	267-1C	petrol tank, GT 1300/1600/1750	63-77	330,--
1D	267-1D	petrol tank RH	66-69	349,--
1E	267-1E	petrol tank, Spider 1300/1600	70-79	310,--
2	267-2	petrol tank, Spider, injection	87-94	285,--
3	267-3	gasket for boot floor and tank, all models 2,25 m	63-94	8,--
4	267-4	fuel sensor, Jäger, 17 cm aspiration hose	63-80	67,--
4A	267-4A	fuel sensor, Borletti, Veglia, 17 cm aspiration hose	63-80	63,--
4C	267-4C	fuel sensor, Borletti, Veglia, 23 cm aspiration hose	70-94	63,--
5	267-5	fuel sensor, Spider (injection) 9 cm aspiration hose	87-94	65,--
5A	267-5A	hose connection to the tank sensor	87-94	14,--
6	267-6	feed pump (in tank), injection model	87-94	120,--
6A	267-6A	petrol pump, injection model 0,27-0,38 bar 90l/h	87-94	145,--
6B	267-6B	fuel filter, injection	83-94	20,--
6C	267-6C	petrol tube	87-94	8,--
6D	267-6D	petrol tube	87-94	7,--
6E	267-6E	spacer bush for petrol filter fixation	87-94	1,--
7	267-7	gasket for tank sensor	63-94	5,--
8	267-8	connecting hose 45 Ø mm	63-94	13,--
9	267-9	connecting hose, Spider, Ø 58 mm	70-72	15,--
9A	267-9A	connecting hose, Spider, Ø 45 mm	72-94	36,--
10	267-10	clamp for petrol hose	63-94	2,50
11	267-11	fuel tank screw cap, injection model lockable 58 mm	86-94	21,--
11A	267-11A	fuel tank cap, lockable bayonet socket	63-78	18,--
11B	267-11B	fuel tank screw cap, lockable	66-86	16,--
11C	267-11C	fuel cap stainless steel, bayonet style, lockable	63-86	25,--
13	267-13	rubber collar for tank connection Bertone Giulia	63-78	54,--
13A	267-13A	rubber collar for tank connection Spider	66-94	68,--
13B	167-13B	rubber collar for tank connection GT Bertone, 2,0	70-77	54,--
15	267-15	lead through for fuel conduit	66-86	3,60
15A	267-15A	lead through for fuel conduit	87-94	8,--



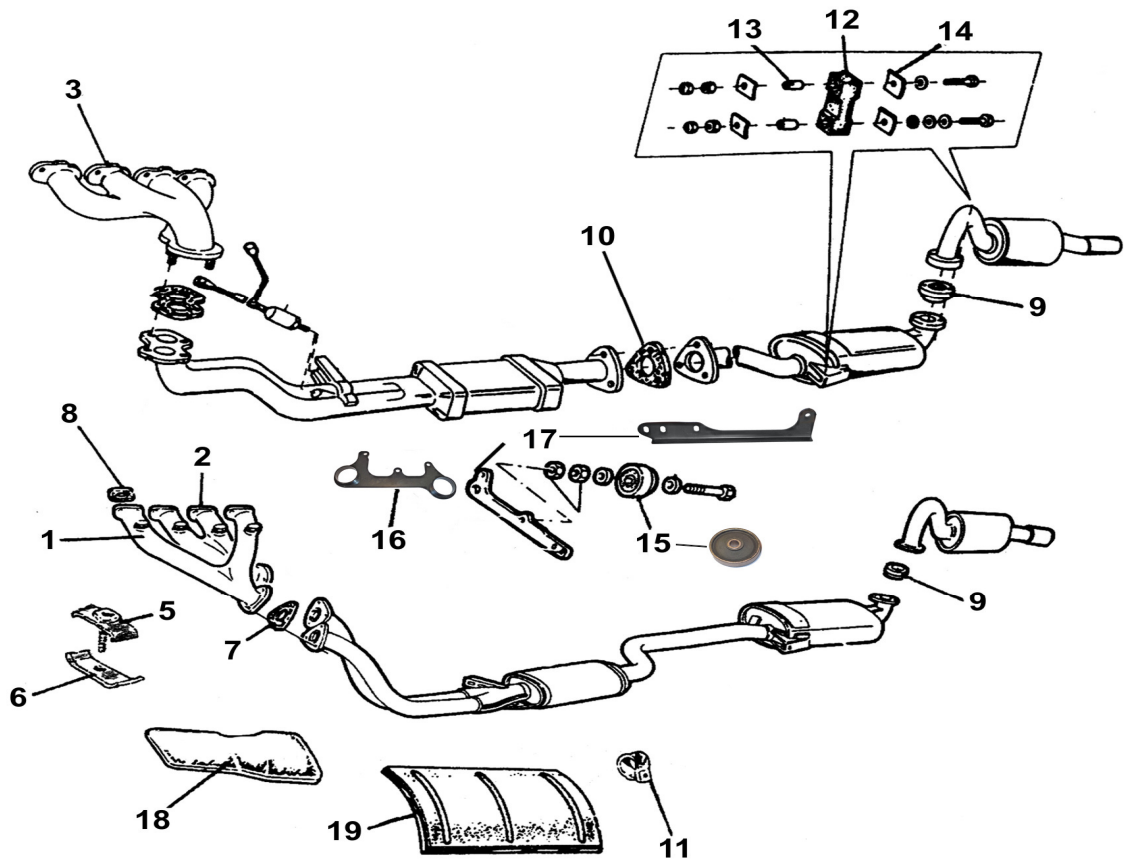
<u>Abb.</u>	<u>Item-nr.</u>	<u>Description</u>	<u>Year</u>	<u>Price</u> €
1	268-1	radiator, new, GT, Giulia, Spider 1300-1600	63-69	429,--
1C	268-1C	radiator, orig. Italy, Giulia, Bertone	68-78	410,--
1E	268-1E	radiator, orig. Italy, Spider	70-89	429,--
1F	268-1F	radiator, orig. Italy, Bosch, Spider injection	87-89	429,--
1H	268-1H	radiator new, Spider i.e.	90-94	429,--
2	268-2	lower radiator rubber	90-94	4,50
3	268-3	upper radiator rubber	90-94	3,--
4	268-4	radiator cap, high, car without expansion tank	63-89	10,--
4A	268-4A	chromed radiator cap, car without expansion tank	63-89	16,--
4B	268-4B	radiator cap expansion tank		12,--
4C	268-4C	chromed radiator cap angular, car with expansion tank		16,--
5	268-5	ventilator motor	90-94	195,--
6	268-6	thermo-switch for electric ventilator	90-94	15,--
7	268-7	mount for ventilator motor	90-94	85,--
10	268-10	water pump 94 mm belt pulley, 2 joints 1300 / 1600		92,--
10A	268-10A	water pump 1750, 110 mm belt pulley, 2 joints		89,--
10B	268-10B	water pump 1600 / 2000 / 3 joints	72-80	78,--
10C	268-10C	water pump 1600 / 2000 / electric rotational-speed sensor	80-89	110,--
10D	268-10D	water pump with electric ventilation, Spider + Alfa 75 (1.6/1.8/1.8 i.E. Turbo / 2.0 twinspark)+ Alfa 90 (1.8 / 2.0 super+ i.E.)	87-94	105,--
10E	268-10E	water pump US Model, with Spica- or air condition - Anlage	66-86	425,--
10F	268-10F	actuation for rotational-speed sensor	63-79	75,--
11	268-11	gasket for water pump	63-94	3,--
12	268-12	thermostat 1600 / 2000 i.E, original Behr	88-94	58,--
14	268-14	lower radiator hose, radiator to water pump 2000 i.E.	90-94	21,--
14A	268-14A	lower radiator hose, to water pump(with air condition) 2.0	87-94	39,--
15	268-15	radiator hose upper side, thermostat, 2,0 i.E.	87-94	21,--
15	268-15A	radiator hose, radiator water pump > thermostat > compensation tank 2,0 i.E.	90-94	58,--
15B	268-15B	radiator hose spider 2000 i.E.	86-89	27,--
16	268-16	radiator balance container 1600 / 2000 i.E.	87-94	79,80
17	268-17	cap for balance container	87-94	10,--
18	268-18	hose, balance container to radiator 2000 i.E.	87-94	8,--
19	268-19	radiator hose, radiator > intake bridge Spider 2,0 i.E., mech. ventilation	86-89	25,--
19A	268-19A	Radiator hose water pump > thermostat	86-88	21,--
20	268-20	radiator, replacement part, Giulia, Bertone	63-94	2,50



<u>Abb.</u>	<u>Item-nr.</u>	<u>Description</u>	<u>Year</u>	<u>Price</u> €
1	269-1	thermostat 1300 / 1600, screw thread	64-70	38,50
2	269-2	thermostat with housing + gasket 1600 / 1750 / 2000	70-87	39,--
2A	269-2A	gasket for thermostat	70-94	4,50
2B	269-2B	venting screw, water circuit	63-94	7,--
2C	269-2C	thermostat without housing + gasket (orig. Behr) carburettor m.	70-94	56,--
3	269-3	thermostat without housing	70-87	22,--
4	269-4	upper hose, radiator to thermostat (screw) 1300/1600	63-70	15,--
4A	269-4A	upper hose, radiator to thermostat 1300 / 1600 / 1750, 2.0	67-89	15,--
4C	269-4C	upper water hose 2.0 i.E., Spica	70-86	25,--
5	269-5	hose, water pump to radiator, bottom 1300/ 1600/ 1750, / 2.0	68-89	13,--
5A	269-5A	hose, water pump to radiator, bottom, Spider/GTV, i. E., Spica		43,--
5B	269-5B	hose, water pump to radiator	88-89	18,--
6	269-6	hose, distributor to radiator, bottom 1750	68-72	13,--
7	269-7	hose, distributor to thermostat 1750	68-72	14,--
8	269-8	hose, distributor 1750	64-72	14,--
8A	269-8A	distribution tube aluminium 1750	68-70	36,--
9	269-9	hose, thermostat to water pump, 1300 / 1600 / 2000	68-89	12,--
13	269-13	hose, balance container to radiator	72-89	7,--
14	269-14	fixation clamp orig. Romablok for radiator hose (54 or 45 mm)	58-83	8,--
14A	269-14A	fixation clamp orig. Romablok for radiator hose (37 or 41 mm)	58-83	7,--
14B	269-14B	fixation clamp orig. Romablok for radiator hose (30 mm)	58-94	5,80
14C	269-14C	fixation clamp orig. Romablok for radiator hose (24-27 mm)	58-94	5,--
15	269-15	radiator balance container	69-89	42,90
15A	269-15A	fixation clamp for expansion tank	66-89	29,--
16	269-16	cap for balance container (radiator)	68-89	9,--
16A	269-16A	cap chromed for balance container	68-89	13,--
17	269-17	rubber for radiator support	63-89	4,50
18	269-18	rubber for radiator mounting sideways (2 pcs.)	63-89	5,--
19	269-19	metal picot for radiator retaining rubber, sideway	63-89	1,50
20	269-20	ventilator wing	63-72	34,--
20A	269-20A	ventilator wing wide	70-89	31,--
22	269-22	plastic frame for ventilator wing	68-89	31,--
22A	269-22A	metal frame for ventilator wing, 1. Series	62-68	59,--
23	269-23	fan belt 9,5 x 8,13	63-77	9,--
23A	269-23A	fan belt 9,5 x 8,25, Spider, Bertone	68-77	9,--
23B	269-23B	fan belt 9,50 x 8,50	70-94	12,--
23C	269-23C	fan belt 9,50 x 7,25	63-77	9,--



<u>Abb.</u>	<u>Item-nr.</u>	<u>Description</u>	<u>Year</u>	<u>Price</u> €
1	270-1	front part of exhaust pipe, Spider, standing pedals 1300 /1600	63-72	118,--
1A	270-1A	front part of exhaust pipe, Bertone 1750 1. series, standing Pedals	68-72	159,--
1B	270-1B	front part of exhaust pipe, Giulia, Bertone, Berlina standing Pedals	63-72	159,--
1C	270-1C	front part of exhaust pipe, Giulia, hanging pedals	70-78	165,--
1D	270-1D	front part of exhaust pipe, Bertone, hanging pedals	70-77	159,--
1E	270-1E	front part of exhaust pipe, Spider, no catalytic converter hanging pedals	70-89	109,--
2	270-2	front part of exhaust pipe with catalytic converter	87-89	720,--
2B	270-2B	front part of exhaust pipe with catalytic converter (Euro2)	90-94	780,--
4	270-4	exhaust center pot Spider without KAT	66-89	85,--
4A	270-4A	exhaust center pot, Giulia, Bertone	63-78	85,--
5	270-5	center exhaust pot with catalytic converter, Spider	86-89	115,--
5A	270-5A	center exhaust pot with catalytic converter, Spider	90-94	108,--
6	270-6	exhaust end pot, Giulia, Bertone and Berlina	64-78	95,--
6A	270-6A	exhaust end pot, Spider	66-69	95,--
7	270-7	exhaust end pot, Spider	70-82	88,--
8	270-8	exhaust end pot, Spider	83-94	115,--
18	270-18	exhaust end pot, Zagato 1300/ 1600	68-75	99,--
19	270-19	GTA manifold (fan-shape), 60 mm without ABE	64-69	390,--
20	270-20	exhaust double pot, GTA	64-69	315,--
21	270-21	end pot GTA	64-69	130,--
22	270-22	sportive exhaust-pipe end GTA	64-69	85,--
23	270-23	exhaust pipe front sideway GTA	64-69	209,--
24	270-24	exhaust pipe rear sideway GTA	64-69	215,--



<u>Abb.</u>	<u>Item.nr.</u>	<u>Description</u>	<u>Year</u>	<u>Price</u> €
1	271-1	exhaust manifold, 1/4 cylinder, Spider, catalytic converter model	89-94	185,--
1A	271-1A	exhaust manifold, 1/4 cylinder, carburettor model	63-89	189,--
2	271-2	exhaust manifold, 2/3 cylinder, Spider, cat. converter model	89-94	154,--
2A	271-2A	exhaust manifold, 2/3 cylinder, carburettor model	63-89	189,--
3	271-3	exhaust manifold, 1-piece, Spider, cat. Converter model	87-89	268,--
5	271-5	upper mounting part for cat. Converter	86-94	8,--
6	271-6	lower mounting part for cat. Converter	86-94	7,--
7	271-7	gasket, exhaust to manifold	63-94	2,50
7A	271-7A	gasket, (exhaust manifold- 1 Piece) US	88-89	10,--
8	271-8	gasket, manifold to engine	63-94	3,--
9	271-9	gasket, center exhaust pot to end pot	63-94	4,--
10	271-10	gasket, cat. converter to center exhaust pot	86-94	3,90
11	271-11	clamp for exhaust pipe	63-94	2,60
12	271-12	rubber for exhaust pot	63-94	4,--
13	271-13	picot for rubber (exhaust pot)	63-94	2,40
14	271-14	retaining plate for rubber (exhaust pot)	63-94	5,20
14A	271-14A	fixation set for exhaust pipe (no cat. converter, 1x11 / 9 / 2x12 / 7)	63-89	16,50
14B	271-14B	fixation set for exhaust pipe (with cat. converter, 1x9 / 10 / 2x12 / 7)	88-94	16,50
15	271-15	bush for gearbox mounting	63-94	7,50
16	271-16	exhaust pipe mount (on gearbox)	66-94	32,--
17	271-17	exhaust pipe mount (on gearbox)	66-94	53,--
18	271-18	cover plate, front exhaust pot	66-94	63,50
18A	271-18A	catalytic cover plate, front exhaust pot	88-94	69,--
18B	271-18B	Heat shield, exhaust front, 1st series	63-69	69,--
19	271-19	cover plate, exhaust end pot	66-94	57,--
21	271-21	fixation nut for exhaust manifold	63-97	1,--
22	271-22	dowel pin (manifold, cylinder head)	63-94	2,20
23	271-23	lambda probe	87-89	80,--
23A	271-23A	lambda probe	90-94	80,--

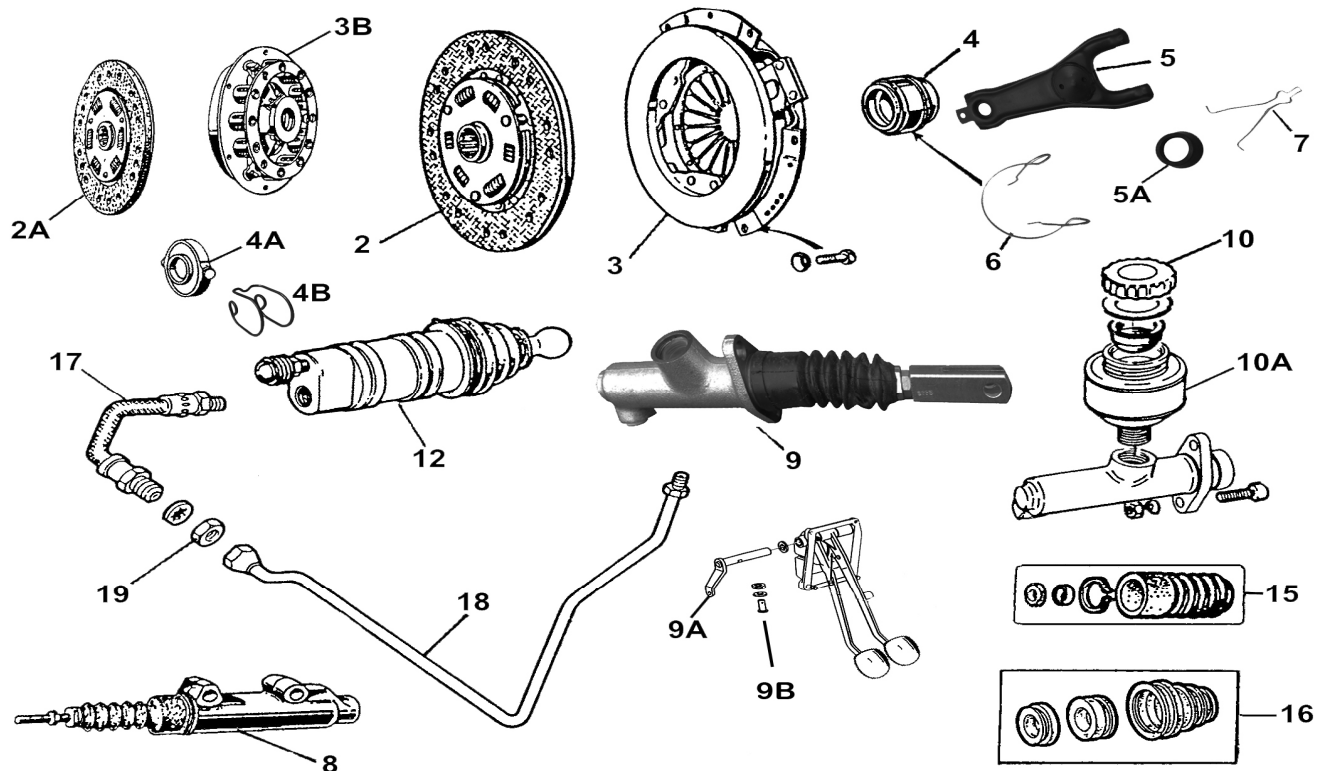
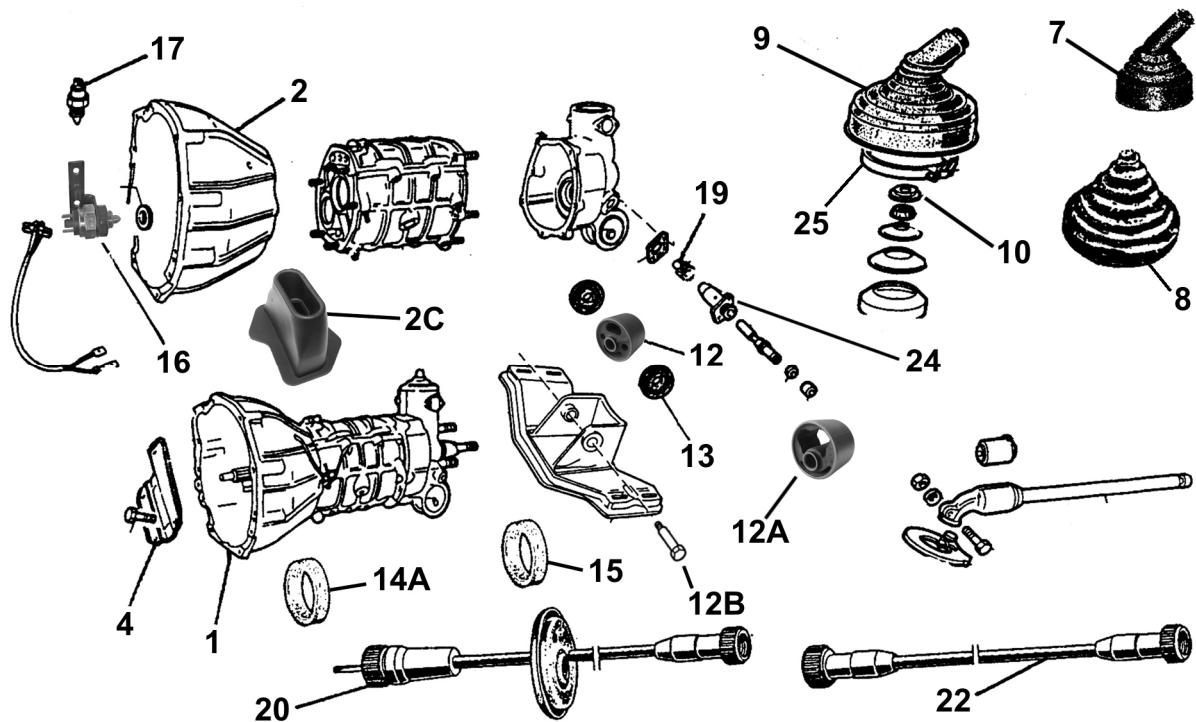
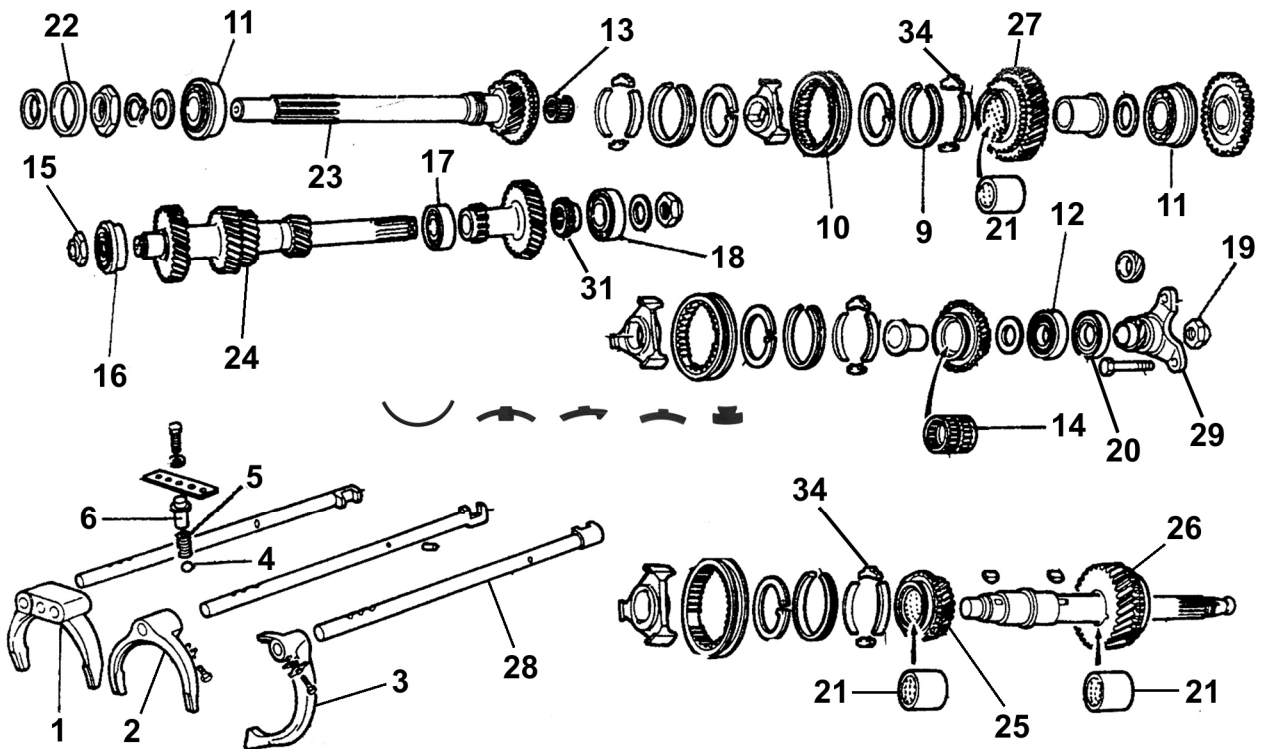


Abb.	Item-nr.	Description	Year	Price €
1	272-1	clutch set, 3-piece, mechanic actuation, Fichtel & Sachs	63-69	639,--
1A	272-1A	clutch set, 3-piece, hydraulic, Fichtel & Sachs	70-94	258,--
1B	272-1B	clutch set, 3-piece, hydraulic, Made in Italy	70-94	239,--
1C	272-1C	clutch set, 3-piece, hydraulic, LUK original	70-94	289,--
1D	272-1D	clutch set, mechanic actuation	63-69	370,--
2	272-2	clutch plate	68-94	53,--
2A	272-2A	clutch plate for mechanic clutch	63-69	90,--
2B	272-2B	clutch plate Fichtel & Sachs	68-94	200,--
2C	272-2C	clutch plate mechanic, Fichtel & Sachs	63-69	169,--
2D	272-2D	Clutch lining with rivets (set 2) for orig. clutch disc	57-69	59,--
3	272-3	coupling automat, Fichtel & Sachs	68-94	168,--
3A	272-3A	coupling automat, (hydraulic)	70-94	138,--
3B	272-3B	coupling automat for mechanic clutch, Fichtel & Sachs	63-69	549,--
3C	272-3C	coupling automat for mechanic clutch, made in Italy	54-69	239,--
4	272-4	disengaging bearing (hydraulic)	70-94	26,--
4A	272-4A	disengaging bearing for mechanic clutch	63-69	55,--
4B	272-4B	set retaining clips for disengaging bearing (mechanic clutch)	63-69	8,--
4C	272-4C	set retaining brackets for disengaging bearing (mechanic clutch)		9,--
4D	272-4D	disengaging bearing for mechanic clutch, Fichtel & Sachs	59-69	65,--
5	272-5	clutch lever	68-94	65,--
5A	272-5A	retaining spring rubber	63-94	3,10
6	272-6	retaining spring for disengaging bearing	63-94	9,10
7	272-7	retaining spring for lever of disengaging bearing	68-94	4,--
8	272-8	clutch transmitter cylinder, standing pedals	63-70	159,--
9	272-9	clutch transmitter cylinder, hanging pedals	70-94	99,--
9A	272-9A	actuation lever for clutch	70-94	85,--
9B	272-9B	fixation bolt f. lever clutch	63-94	6,--
9C	272-9C	bearing set (3) for lever clutch	66-69	17,--
9D	272-9D	actuation lever for clutch	66-69	95,--
10	272-10	cap and gasket for container	70-94	9,--
10A	272-10A	oil container ATE	67-94	49,--
11	272-11	screw for automatic clutch	57-94	4,--
12	272-12	clutch taker cylinder	63-94	64,--
13	272-13	security ring for clutch taker cylinder	68-94	2,10
15	272-15	repair set for clutch giver cylinder, hanging pedals	68-94	14,90
16	272-16	repair set for clutch giver cylinder	68-94	12,--
17	272-17	clutch hose	68-94	15,50
18	272-18	pipe, coupling cylinder to hose, hanging pedals	68-94	on request
19	272-19	nut for coupling hose	68-94	1,60



<u>Abb.</u>	<u>Item-nr.</u>	<u>Description</u>	<u>Year</u>	<u>Price</u> €
2	273-2	transmission bell housing closed	63-82	440,--
2A	273-2A	transmission bell housing closed, for switch back up light with screw thread	70-94	430,--
2B	273-2B	locating pin for engine block, transmission system	63-94	3,90
2C	273-2C	rubber collar f. release lever (mechanic clutch)	63-69	45,--
4	273-4	cover plate for transmission bell housing	64-94	31,--
6	273-6	ground strap, transmission system / car body	64-94	12,--
7	273-7	clutch lever sleeve, small	63-94	12,--
8	273-8	clutch lever sleeve, big	70-94	16,50
9	273-9	clutch lever sleeve, 1750, duplex	69-75	26,--
10	273-10	rubber ring for gearshift lever	64-94	3,10
11	273-11	cover plate for gearbox top	63-94	5,60
12	273-12	bush for transmission system suspension	63-69	35,--
12A	273-12A	bush for transmission system suspension	70-94	22,--
12B	273-12B	fixation bolt for lower part of suspension	63-94	13,--
12C	273-12C	fastening nut for 273-2B, self-locking	63-94	1,60
13	273-13	rubber cover plate, sideways for transmission mount	64-94	4,10
14	273-14	front oil seal, transmission system, mechanic clutch	64-68	9,--
14A	273-14A	front oil seal, transmission system, hydraulic clutch	68-94	6,--
15	273-15	back oil seal, transmission system, all models	64-94	8,70
15A	273-15A	back oil seal, transmission system, original quality, all models	64-94	14,--
16	273-16	switch for reverse lighting	63-80	39,--
17	273-17	switch for reverse lighting, with thread	70-94	20,--
18	273-18	pinion, tacho actuation (21 teeth) 9/41 1300-1750	64-94	69,--
19	273-19	pinion, tacho actuation (13 teeth) 10/41 2.0	70-94	69,--
19A	273-19A	o-seal for speedometer drive, 8x16x7	66-94	8,80
19B	273-19B	gasket for speedometer drive		2,50
19C	273-19C	Spacer ring for speedo drive		6,50
20	273-20	tacho shaft, Giulia, Bertone 1300, 1600, 1750	63-78	22,--
21A	273-21A	tacho shaft, Spider, Bertone, GT, GTV, Alfetta, 2000 - 2 m	66-86	22,--
21B	273-21B	tacho shaft, electronic tacho	87-89	29,--
21C	273-21C	tacho shaft, electronic tacho	90-94	25,--
21D	273-21D	e.-transmitter for tacho shaft (conversion kit)	90-94	295,--
21E	273-21E	e.-transmitter for tacho shaft (conversion kit)	87-89	285,--
22	273-22	rotational-speed sensor shaft 1410 / 1509 / 1925	63-82	22,--
25	273-25	fixation clamp for gear sleeve, little	63-94	11,--
25A	273-25A	fixation clamp for gear sleeve, big	63-94	11,--
26	273-26	oil drain bold, gear	63-94	13,50
27	273-27	oil filler screw, gear	63-94	8,--



<u>Abb.</u>	<u>Item-nr.</u>	<u>Description</u>	<u>Year</u>	<u>Price</u> €
1	274-1	shift-fork, 1st and 2nd gear	63-94	290,--
2	274-2	shift-fork, 3rd and 4th gear	63-94	275,--
3	274-3	shift-fork 5th and reverse gear	63-94	95,--
4	274-4	shift-ball	63-94	2,30
5	274-5	spring for shift-ball	63-94	4,--
6	274-6	shift-finger	63-94	15,--
9	274-9	synchronising disk	63-94	49,--
10	274-10	shift collar	63-94	108,--
10A	274-10A	shift collar original Alfa		140,--
11	274-11	bearing for primary shaft, front and middle, 1300 / 1600 / 1750	63-89	89,--
11A	274-11A	bearing for primary shaft, front and middle, 2000	72-94	95,--
12	274-12	bearing for primary shaft, back	73-94	47,--
13	274-13	needle bearing for primary shaft	63-94	14,40
14	274-14	needle bearing, 5th gear	63-94	15,--
15	274-15	locknut, for front secondary shaft	63-94	15,--
16	274-16	inner front bearing for secondary shaft, 25 mm, 1300 / 1600	63-88	64,--
16A	274-16A	inner front bearing for secondary shaft, 20 mm, 1750 / 2000	70-94	85,--
17	274-17	middle bearing for secondary shaft	63-94	47,--
17A	274-17A	Gear wheel 5st gear	63-94	285,--
17B	274-17B	Gear wheel 5th gear + reverse gear /33 teeth		415,--
18	274-18	back bearing for secondary shaft	63-94	52,--
19	274-19	locknut for gearbox shaft	63-94	15,--
21	274-21	cupreous bush for gearwheel	63-94	40,--
22	274-22	locknut for gearbox input shaft	68-94	16,--
23	274-23	primary shaft, front	63-94	315,--
24	274-24	secondary shaft	63-94	390,--
25	274-25	gearwheel 1nd gear	63-94	289,--
26	274-26	gearwheel 2nd gear	63-94	235,--
27	274-27	gearwheel 3rd gear	63-94	275,--
28	274-28	shift-rod	63-94	145,--
29	274-29	O-ring f. shift rod (open bell)1300/1600/1750	63-73	2,80
30	274-30	pinion for reverse gear	63-94	195,--
31	274-31	pinion for reserve gear, auxiliary shaft	63-94	145,--
32	274-32	upper locking stone 1 gear	63-94	8,25
33	274-33	sideway locking stone 2/ 3 /4 /5 gear	63-94	15,--
34	274-34	lower locking stone 1/ 2/ 3/ 4/ 5	63-94	12,--
35	274-35	safety plate for secondary shaft	63-94	5,--
36	274-36	cogwheel 5 gear + reverse gear (33 sprocket)	63-94	450,--
37	274-37	gearbox synchro limiting strip 1. gear		19,--
38	274-38	gearbox synchro limiting strip 2. -5. gear		19,--

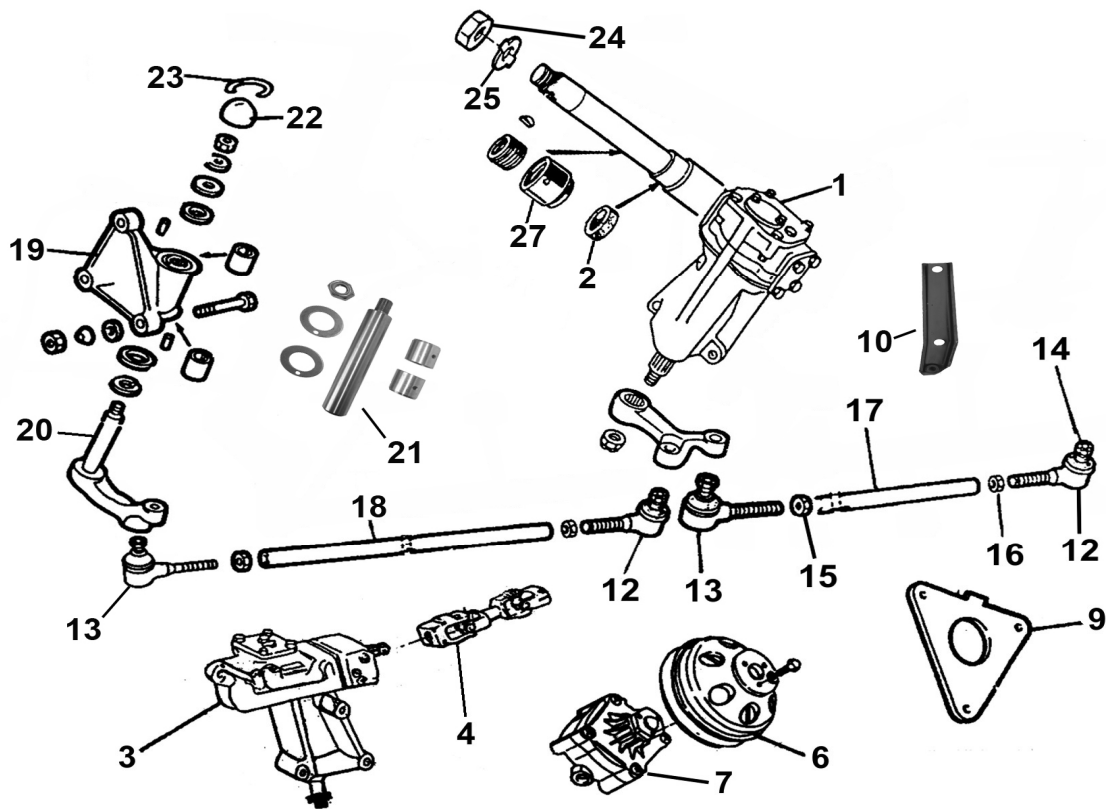
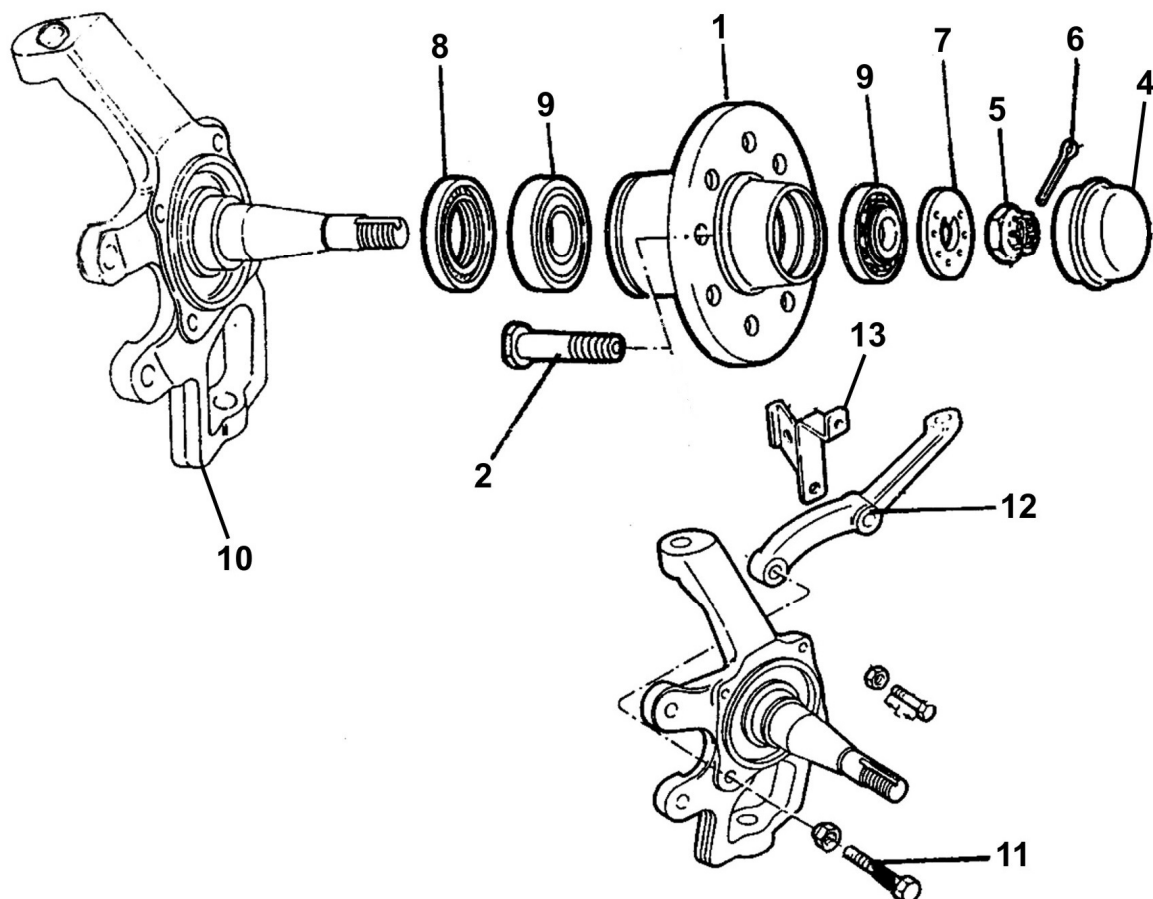
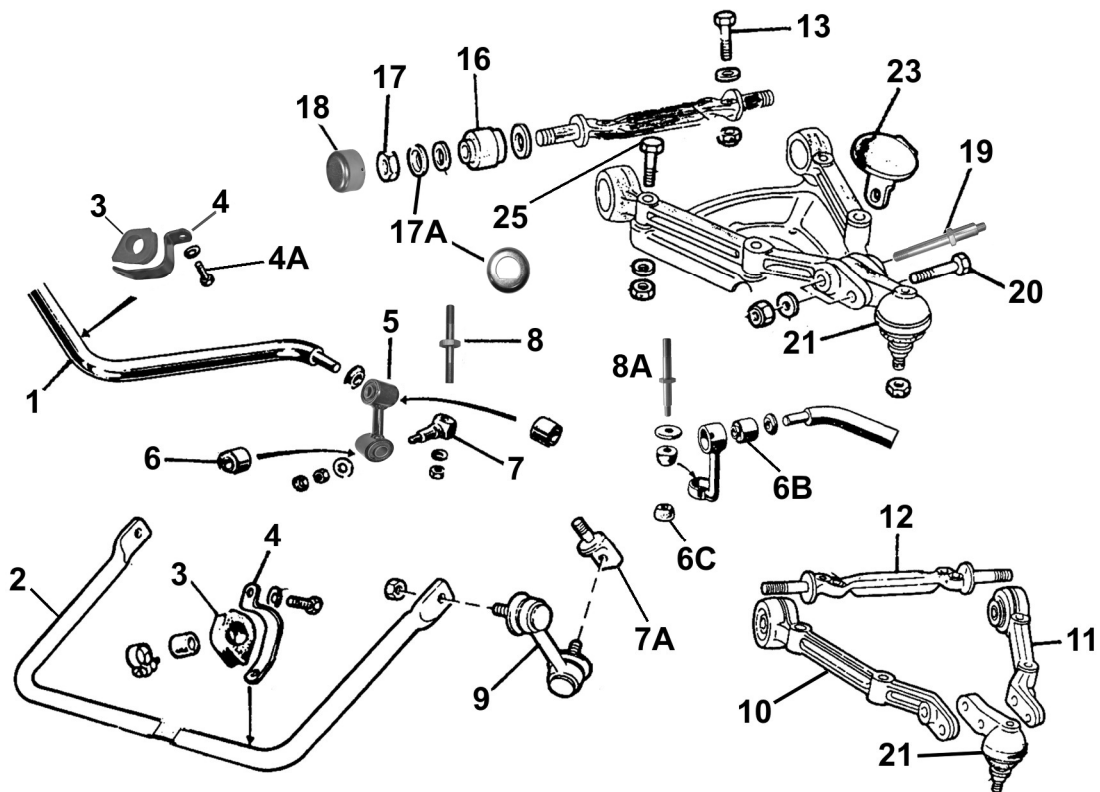


Abb.	Item-nr.	Description	Year	Price €
1	275-1	steering gear, replacement part Spider (ZF)	63-74	950,--
1B	275-1B	steering gear, replacement part (ZF) Spider, Bertone, Giulia	75-89	950,--
1C	275-1C	steering gear NEW (tube 62 cm long) 79-89	79-89	1600,--
2	275-2	oil seal (ZF) for steering gear	64-89	18,50
2A	275-2A	oil seal (Bormann) for steering gear (28 x 40 x 7)	64-89	20,--
2B	275-2B	Set gaskets for Burman		19,50
3	275-3	steering gear (ZF) for power steering	90-94	1650,--
3A	275-3A	oil pipe, servo pump to steering gear complete	90-94	180,--
3B	275-3B	oil pipe for power steering	90-94	39,--
4	275-4	oil expansion tank f. power steering	90-94	125,--
6	275-6	belt pulley for power steering	90-94	135,--
8	275-8	v-belt for power steering	90-94	25,--
9	275-9	distance block aluminium between steering gear + body	90-94	65,--
10	275-10	left steering stopper	64-94	65,--
10A	275-10A	right steering stopper	64-94	65,--
12	275-12	inner complete tie rod end, left-handed thread	64-94	17,80
12A	275-12A	complete tie rod end, left-handed thread, original Lemförder	64-94	39,50
12B	275-12B	outer complete tie rod end, left-handed thread	64-94	19,--
13	275-13	inner complete tie rod end, right-handed thread	64-94	17,80
13A	275-13A	complete tie rod end, right-handed thread, original Lemförder	64-94	39,50
13B	275-13B	outer complete tie rod end, right-handed thread	64-94	19,--
13C	275-13C	Set tie rod end complete (6 pieces)	63-94	95,--
14	275-14	nut for tie rod end	64-94	2,--
15	275-15	nut for tie rod, left-handed thread	64-94	2,70
16	275-16	nut for tie rod, right-handed thread	94-94	2,--
17	275-17	outer tie rod	64-94	22,--
18	275-18	tie rod center	64-94	36,--
19	275-19	housing for bell crank	63-94	96,50
21	275-21	repair set for bell crank with bold	64-94	39,--
22	275-22	cap + bracket for bell crank	64-94	21,50
24	275-24	fixation nut for steering wheel	64-94	15,--
25	275-25	locking plate for steering wheel	63-94	4,70
26	275-26	safety wedge for steering wheel mounting	63-87	9,--
27	275-27	bearing for steering column	64-89	42,60

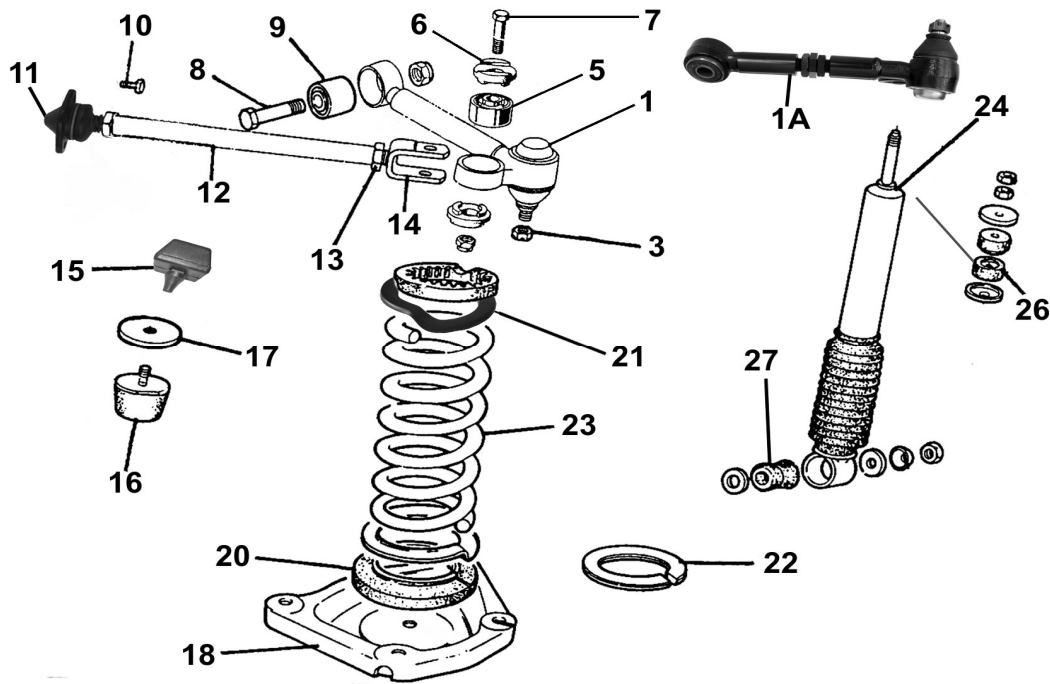


<u>Abb.</u>	<u>Item-nr.</u>	<u>Description</u>	<u>Year</u>	<u>Price</u> €
1	276-1	wheel hub	64-94	200,--
2	276-2	wheel bolt, left-handed thread, 56 mm	64-94	5,80
2A	276-2A	wheel bolt, right-handed bolt, 56 mm	64-94	5,80
2B	276-2B	wheel bolt, left-handed thread, 66 mm, Montreal		12,50
2C	276-2C	wheel bolt, right-handed thread, 66 mm, Montreal		12,50
4	276-4	grease cap	63-94	5,90
5	276-5	nut for wheel hub, right hand thread, splint safety device	63-94	9,80
5A	276-5A	nut for wheel hub, left hand thread, splint safety device	63-94	9,80
5B	276-5B	nut for wheel hub, right hand thread, self insurance	63-94	9,80
6	276-6	split-pin for nut	64-94	0,50
7	276-7	washer disc	64-94	6,--
8	276-8	oil seal for wheel hub	64-94	9,--
9	276-9	wheel bearing set plus oil seal, one side	64-94	46,--
10	276-10	left axle leg 1300 / 1600	63-86	290,--
10A	276-10A	right axle leg 1300 / 1600	63-86	290,--
10B	276-10B	left axle leg 1600 >86 / 1750 / 2000	70-94	290,--
10C	276-10C	right axle leg 1600 >86 / 1750 / 2000	70-94	290,--
11	276-11	fixation screw for axle leg	63-94	4,30
11A	276-11A	nut for fixation screw	63-94	2,--
11B	276-11B	small fixation screw for axle leg	63-94	3,--
11C	276-11C	small nut for fixation screw	63-94	1,50
12	276-12	right steering arm	64-94	129,--
12A	276-12A	left steering arm	64-94	129,--
13	276-13	mount for brake pipe, LH	63-94	15,--
13A	276-13A	mount for brake pipe, RH	63-94	15,--

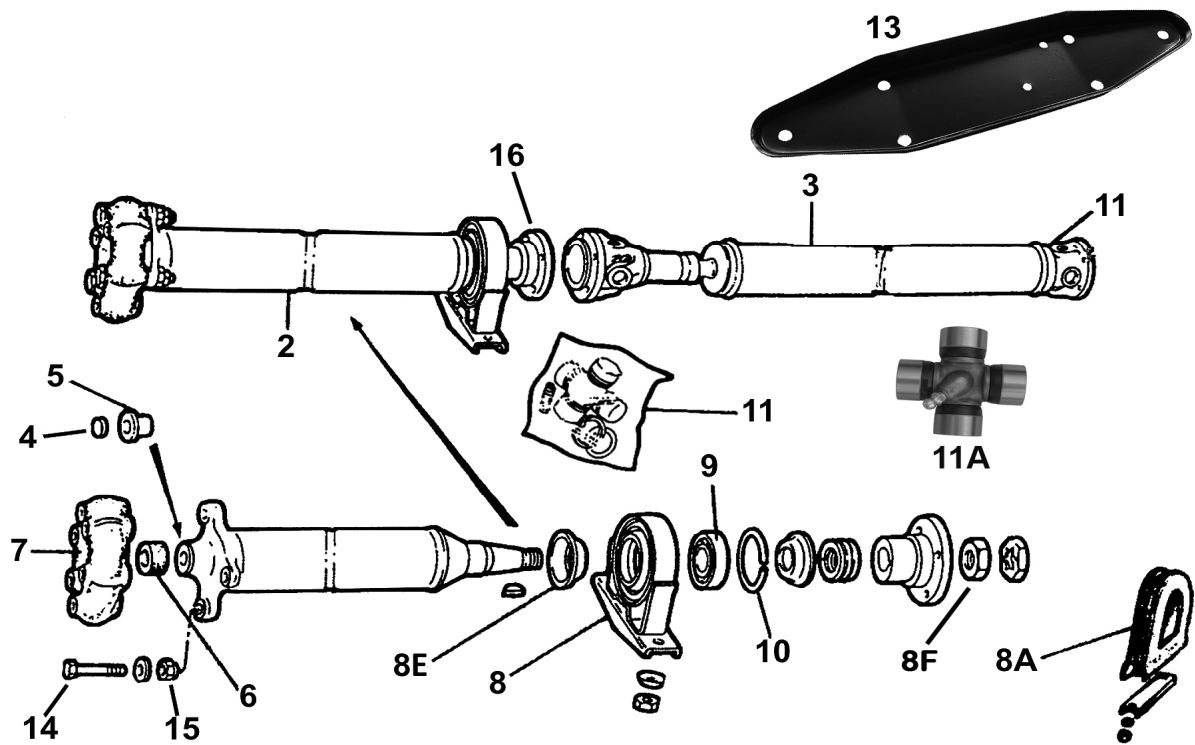
Used parts on request



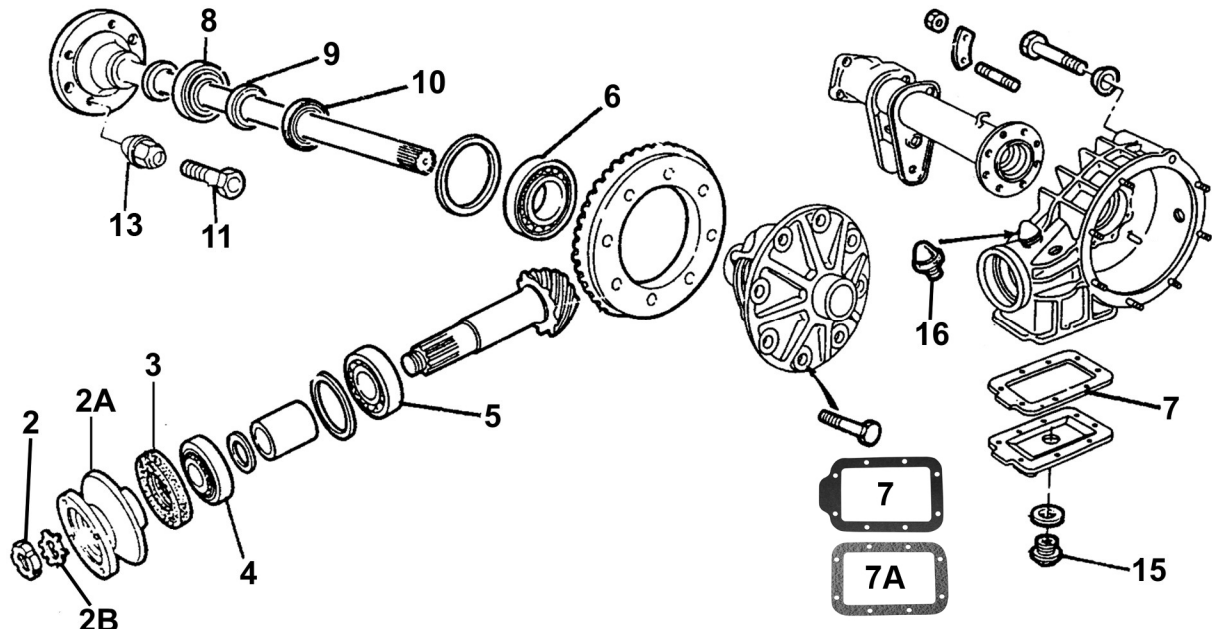
<u>Abb.</u>	<u>Item-nr.</u>	<u>Description</u>	<u>Year</u>	<u>Price</u> €
1	277-1	Anti-roll bar	67-86	297,--
2	277-2	Anti-roll bar	87-94	270,--
3	277-3	Rubber for Anti-roll bar	64-94	6,--
3A	277-3A	Rubber for Anti-roll bar , super flex, 24 mm	63-94	7,50
4	277-4	Mounting bracket for anti-roll bar rubber	64-94	8,15
4A	277-4A	screw for Rubber for Anti-roll bar	64-94	2,10
5	277-5	anti-roll bar drop link with vulcanised bush	68-86	32,--
6	277-6	bush for anti-rollbar arm drop link, diameter 30 mm	68-78	9,--
6A	277-6A	bush for anti-rollbar arm drop link 33 mm, 105/115/116/75	78-86	12,--
6B	277-6B	bush for anti-rollbar arm drop link 34mm	64-89	10,--
6C	277-6C	lower plastic bush for drop link anti-rollbar	63-68	5,--
7	277-7	Spring pan to drop link bolt	68-86	21,--
7A	277-7A	Spring pan to drop link bolt	86-94	29,--
7B	277-7B	nut for Spring pan to drop link bolt	86-94	2,--
8	277-8	bolt for spring plate to drop link	70-94	15,--
8A	277-8A	bolt for spring plate to drop link 1, series	54-69	17,--
9	277-9	left anti-roll bar drop link	86-94	39,--
9A	277-9A	left anti-roll bar drop link	86-94	39,--
10	277-10	front part for lower swinging arm	64-94	145,--
11	277-11	back part for lower swinging arm	64-94	145,--
12	277-12	inner part for lower swinging arm	64-94	160,--
13	277-13	fixation screw for swinging arm	64-94	3,10
13A	277-13A	nut for fixation screw swinging arm	63-94	2,--
16	277-16	complete bush for lower swinging arm	66-94	39,50
17	277-17	nut for bush	66-94	4,--
17A	277-17A	lock plate	64-94	4,50
18	277-18	cover cap for bush	66-94	5,90
19	277-19	screw for seating of shock-absorber	64-94	21,--
19A	277-19A	nut for fixation screw shock-absorber	63-94	2,--
19B	277-19B	small nut for screw support radius rod arm	63-94	1,50
20	277-20	screw bottom ball joint radius rod arm	64-94	3,10
20A	277-20A	nut for bottom ball joint radius rod arm	64-94	2,--
21	277-21	bottom ball joint radius rod arm	64-94	32,--
23	277-23	stopper cap, bearing arm, LH/RH	64-94	29,--
24	277-24	nut for bolt, spring plate	63-94	2,--
25	277-25	screw for spring plate	64-94	3,--



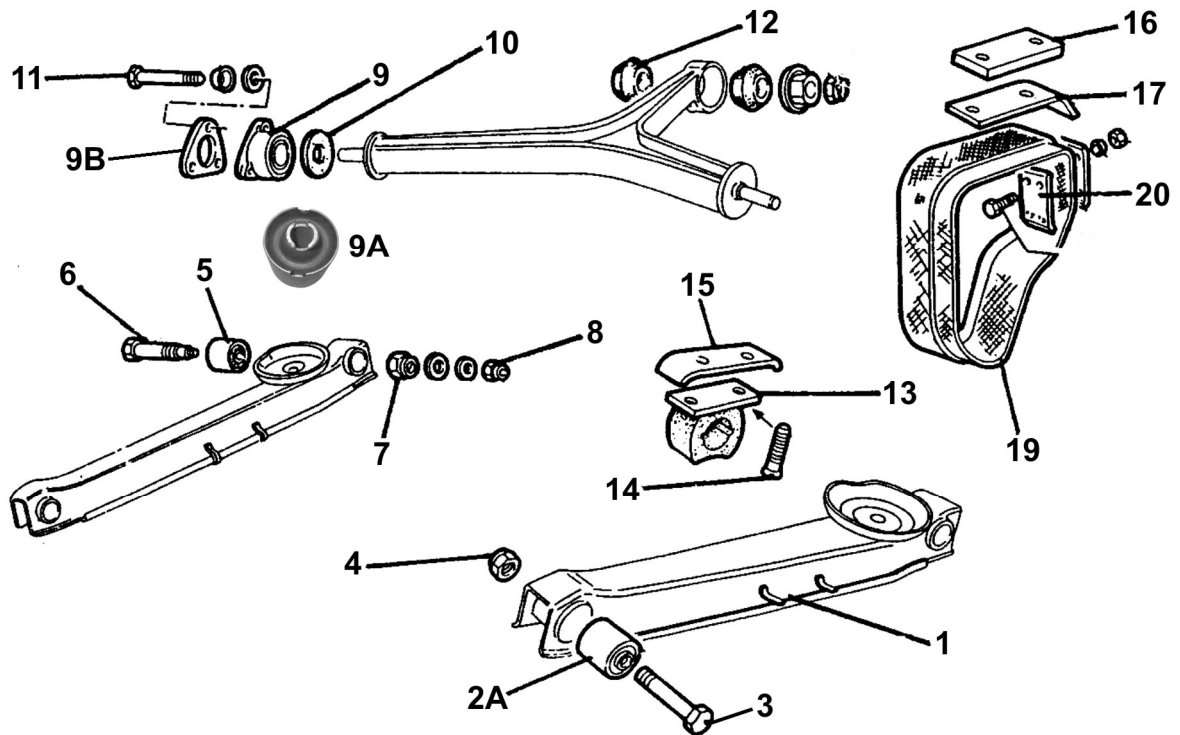
<u>Abb.</u>	<u>Item-nr.</u>	<u>Description</u>	<u>Year</u>	<u>Price €</u>
1	278-1	Upper control arm, Left	64-94	95,--
1A	278-1A	Upper control arm, Left, adjustable	64-94	148,--
2	278-2	Upper control arm, Right	64-94	95,--
2A	278-2A	Upper control arm, Right, adjustable	64-94	148,--
3	278-3	nut for upper control arm	64-94	1,55
4	278-4	split-pin for nut	64-94	0,50
5	278-5	outer bush for upper control arm, 20 mm high	64-74	10,--
5A	278-5A	outer bush for upper control arm, 23 mm high	74-94	9,50
6	278-6	plastic covering for upper control arm bush	64-94	3,50
7	278-7	bolt for outer control arm bush	64-94	3,60
8	278-8	bolt for inner control arm bush	64-94	9,50
8A	278-8A	great nut for bolt	64-94	3,--
9	278-9	Inner bush for control arm	64-94	16,--
10	278-10	screw for pull stiffener link at car body	64-94	2,90
11	278-11	pull stiffener link	64-94	32,--
12	278-12	pull stiffener liner	64-94	27,--
13	278-13	nut for pull stiffener	64-94	3,60
14	278-14	Fork pull stiffener	64-94	41,--
15	278-15	upper stopper gum	64-94	8,--
16	278-16	lower stopper gum with thread	64-94	15,--
16A	278-16A	lower stopper gum 1. series	64-69	22,--
17	278-17	alloy-disk for stopper gum	64-94	4,30
18	278-18	left spring plate	64-94	40,--
18A	278-18A	right spring plate	64-94	40,--
18B	278-18B	screw for spring plate, seating of radius rod	64-94	15,--
19	278-19	left spring plate (race / punched)	64-94	115,--
19A	278-19A	right spring plate (race / punched)	63-94	113,--
20	278-20	upper/lower rubber ring for spring	64-94	8,50
21	278-21	upper/lower metal sheet ring for spring	64-94	11,50
22	278-22	lower alloy spacer ring, 5mm	64-94	26,--
22A	278-22A	Spacer ring for high compensation, 1cm	64-94	26,--
23	278-23	front spring	64-94	83,50
24	278-24	complete shock absorber, standard	64-94	62,--
24A	278-24A	shock absorber Bilstein gas pressure (strong)	63-94	120,--
24B	278-24B	front shock absorber, Alfa / Spica	64-94	95,--
24C	278-24C	front shock absorber, Koni, red	64-94	95,--
24D	278-24D	front shock absorber, Koni, yellow, adjustable	63-94	98,--
26	278-26	Set upper shock absorber rubber in front	64-94	7,--
27	278-27	lower shock absorber rubber	66-94	6,--
27A	278-27A	kit shock absorber rubber, lower, super flex 4 peace's	63-94	35,--



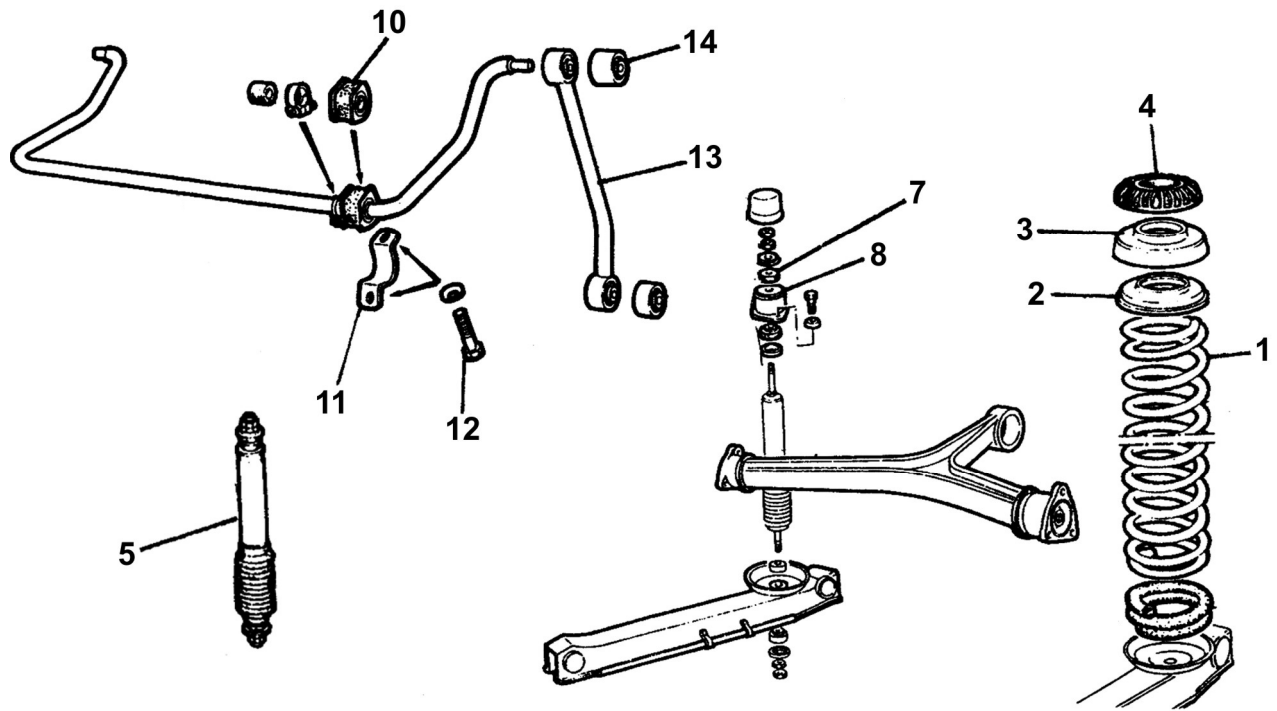
<u>Abb.</u>	<u>Item nr</u>	<u>Description</u>	<u>Year</u>	<u>Price</u> €
1	279-1	back part of cardan shaft, new Round tail Spider	66-69	335,--
2A	279-2A	front part of cardan shaft, with prop shaft+center bearing, replacement part	68-94	219,--
3	279-3	back part of cardan shaft, new, Spider	70-94	358,--
3C	279-3C	back part of cardan shaft, new, Giulia, Berlina	63-78	358,--
3D	279-3D	back part of cardan shaft, new, Bertone	63-77	295,--
3E	279-3E	pledge f. used p., will be at exempt from charges		100,--
4	279-4	pressure piece, transmission system, front cardan shaft	64-94	4,90
5	279-5	bearing sleeve, transmission system, front cardan shaft	64-94	39,--
6	279-6	stopper gum, transmission system, cardan shaft	64-94	6,50
7	279-7	prop shaft	64-94	47,--
7A	279-7A	prop shaft strengthened (70 shore)	64-94	64,--
7B	279-7B	retainer aluminium for hardy disc		189,--
8	279-8	rubber bearing block for cardan shaft	68-94	42,--
8A	279-8A	rubber bearing for cardan shaft 1300 / 1600	63-68	21,50
8B	279-8B	screw nut for rubber bearing	63-94	4,90
8C	279-8C	rubber bearing for cardan shaft, reinforced 1300/1600/2000	70-94	65,--
8D	279-8D	cardan centre bearing block	62-68	85,--
8E	279-8E	cover for central bearing block	63-94	15,--
8F	279-8F	nut for cardan centre bearing block		7,--
9	279-9	bearing for cardan shaft	67-94	16,--
9A	279-9A	bearing for cardan shaft, original quality	67-94	25,--
10	279-10	clamp ring	67-94	2,70
11	279-11	universal-joint shaft without grease nipple	66-94	33,50
11A	279-11A	universal-joint shaft	64-66	42,50
11B	279-11B	grease nipple (straight) for universal joint		6,--
11C	279-11C	universal-joint shaft with grease nipple, made in Italy	67-94	43,--
12	279-12	repair set for cardan shaft: prop shaft, rubber bearing, 2 universal-joint shafts	67-94	132,--
13	279-13	cardan shaft mount at center car body	67-94	69,--
14	279-14	screw, cardan shaft to transmission system	64-94	3,50
15	279-15	nut for screw 279-14	64-94	3,--
16	279-16	screw for cardan shaft centre or rear, 9 mm	67-94	4,--
16A	279-16A	screw for cardan shaft centre or rear, 8 mm	54-67	4,--
17	279-17	stop screw nut for drive shaft centre or rear, 9 mm	67-94	3,--
17A	279-17A	stop screw nut for drive shaft centre or rear, 8 mm	54-67	3,--
18	279-18	Spring for dust cap, centre bearing, cardan shaft	54,67	8,--



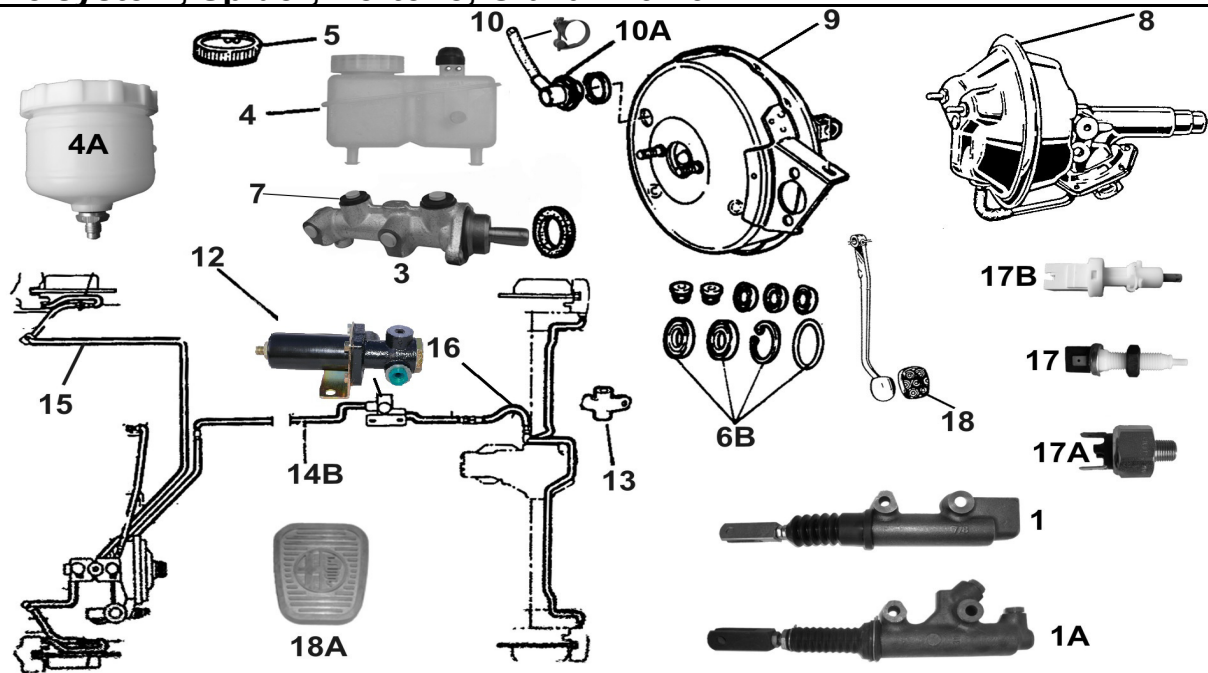
<u>Abb.</u>	<u>Item-nr</u>	<u>Description</u>	<u>Year</u>	<u>Price</u> €
1	280-1	disc bevel wheel 10/43, 2,0 Spider	72-94	790,--
2	280-2	front fixation nut 1300 /1600 / 1750	63-94	25,--
2A	280-2A	front fixation nut 2000	69-94	13,--
2B	280-2B	safety plate 1300/1600	68-94	4,50
2C	280-2C	muff for differential gear	63-94	110,--
3	280-3	front oil seal, 1300 / 1600 40X72X16	63-87	12,--
3A	280-3A	front oil seal, 2000	72-94	12,--
3B	280-3B	oil seal differential 1750 72x40x10	68-75	12,--
4	280-4	front differential gear bearing 1300 / 1600 / 1750	63-87	60,--
4A	280-4A	front differential gear bearing 2000	70-94	75,--
5	280-5	back differential gear bearing 1300 / 1600 / 1750	63-87	95,--
5A	280-5A	back differential gear bearing 2000	70-94	80,--
6	280-6	side differential gear bearing 1300 / 1600 / 1750	63-87	109,--
6A	280-6A	side differential gear bearing 2000	70-94	51,--
7	280-7	gasket for lower part of differential gear 1750 / 2000	68-94	6,--
7A	280-7A	gasket for lower part of differential gear 1300 / 1600	63-87	6,--
8	280-8	set back wheel bearing rear RH or LH 1,3/1,6/1,75 w. shrink collar + oil seal	63-72	65,--
8A	280-8A	set back wheel bearing rear RH or LH 1,3 – 2,0 w. shrink collar + oil seal	72-94	65,--
8B	280-8B	back wheel bearing	63-94	39,90
9	280-9	shrink collar for axle shaft	70-94	14,--
9A	280-9A	lock washer for castle nut, rear wheel bearing	54-72	6,--
9B	280-9B	castle nut rear wheel bearing	54-72	17,--
10	280-10	oil seal for axle shaft 52/30/10; 1300/1600/1750	63-72	10,50
10A	280-10A	oil seal for axle shaft 52/34/10; 1300 / 1600 /2000	73-94	10,--
11	280-11	wheel bolt, left-handed thread	63-82	7,90
11A	280-11A	wheel bolt, right-handed thread	63-94	7,90
11B	280-11B	wheel bolt, left-handed thread, 55 mm, Montreal		12,50
11C	280-11C	wheel bolt, right-handed thread, 55 mm, Montreal		12,50
14	280-14	oil filler plug	64-94	8,--
15	280-15	oil-drain plug	64-94	13,50
15A	280-15A	gasket ring for oil drain dug	63-94	1,60
16	280-16	stopper gum with shoulder bolt	63-94	16,--
17	280-17	cogwheel differential gear 1300 / 1600 / 1750	63-94	85,--
18	280-18	centre bolt for cogwheel	63-94	55,--
19	280-19	lower oil pan, differential 2000	70-94	99,--
20	280-20	locking plate double for nut Differential cover	54-94	6,--
21	280-21	locking plate double for nut axle tube	54-94	6,--
22	280-22	locking washer 2.0 mm for differential	70-94	85,--
23	280-23	friction disc 2.0mm internal gearing f. limited slip differential, molybdenum coated	70-94	90,--



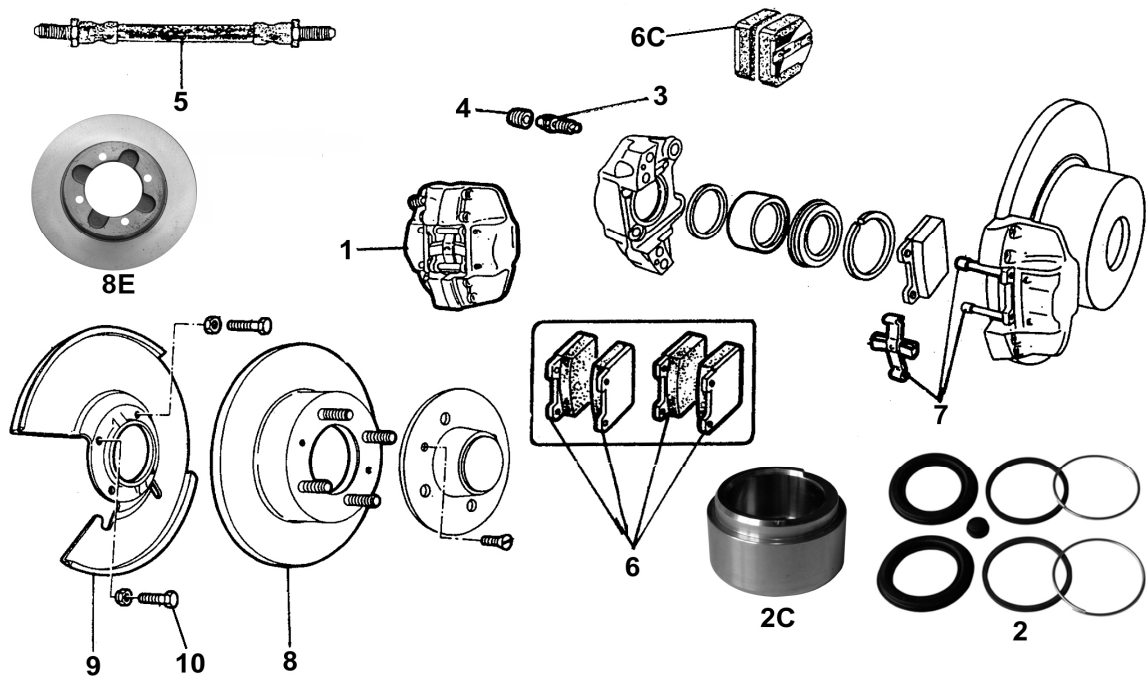
<u>Abb.</u>	<u>Item- nr.</u>	<u>Description</u>	<u>Year</u>	<u>Price</u> €
1	281-1	guiding stiffener for rear axle without bush	63-94	115,--
2	281-2	front bush for guiding stiffener 36 mm	63-68	25,--
2A	281-2A	strengthened front bush for guiding stiffener, 50 mm	69-94	25,--
3	281-3	screw for thrust arm in front	63-94	5,50
4	281-4	nut for thrust arm in front	63-94	2,--
5	281-5	strengthened back bush for guiding stiffener	63-94	25,--
5A	281-5A	set strengthened bush f. guiding stiffener (4 p)	63-94	90,--
6	281-6	screw for thrust arm rear	63-94	20,--
7	281-7	big nut for thrust arm rear	63-94	3,--
8	281-8	small nut for thrust arm rear	63-94	1,30
9	281-9	outer part for reaction triangle	63-94	55,--
9A	281-9A	bush for reaction triangle	63-94	22,--
9B	281-9B	spacer disc for reaction triangle 3,5 mm	63-94	7,--
10	281-10	rubber disc at reaction triangle	63-94	4,50
11	281-11	screw for reaction triangle	63-94	4,50
12	281-12	rubber bush for reaction triangle	63-94	4,00
12A	281-12A	strengthened rubber bush for reaction triangle	63-94	7,40
13	281-13	stopper gum, rear axle	63-94	14,--
13A	281-13A	stopper gum, rear axle GTA	65-75	39,--
14	281-14	screw for stopper gum	63-94	2,--
15	281-15	safety metal sheet for stopper gum	63-94	11,--
16	281-16	spacer block	63-94	41,--
17	281-17	metal sheet for spacer block	63-80	9,--
18	281-18	kit catch band, 45 mm broad, Giulia	64-72	32,--
18A	281-18A	kit catch band, 45 mm broad, original material	64-72	49,--
19	281-19	catch band, 31 mm, inside, Giulia super, Spider, Bertone	67-94	12,--
19A	281-19A	catch band, 31 mm, outside, Giulia super, Spider, Bertone	67-94	12,--
19B	281-19B	set (2) catch band (1 side), 31 mm broad, original material	67-94	44,--
20	281-20	mounting set for catch band, 31 mm	66-94	10,--



<u>Abb.</u>	<u>Item-nr.</u>	<u>Description</u>	<u>Year</u>	<u>Price</u> €
1	282-1	spring, rear axle, Giulia	64-78	82,--
1B	282-1B	strengthened spring, Spider, Bertone	64-87	66,--
1C	282-1C	spring, Spider	87-94	82,--
2	282-2	metal sheet ring on top of spring	64-94	15,20
3	282-3	spacer disc, 11 mm	64-94	63,--
3A	282-3A	spacer disc, 16 mm	64-94	63,--
3B	282-3B	spacer disc, 21 mm	64-94	63,--
4	282-4	stopper gum for spring	64-94	8,--
5B	282-5B	standard shock absorber, oil pressure	64-94	49,--
5D	282-5D	red shock absorber, adjustable, Koni	66-94	107,90
5E	282-5E	yellow shock absorber, Koni	64-94	98,--
5F	282-5F	shock absorber, gas pressure, Bilstein	64-94	120,--
5G	282-5G	shock absorber, Spax, gas pressure	64-94	117,--
5H	282-5H	rubber for shock absorber, Bilstein	63-94	10,--
7	282-7	set (2) rubber for shock absorber	64-94	6,50
8	282-8	fixation sheet metal, jacket for shock absorber	64-94	8,--
8A	282-8A	rubber cap for upper shock absorber fixation	64-94	21,50
10	282-10	rear anti-roll bar rubber	64-94	6,--
11	282-11	mounting bracket for rear anti-roll bar	64-94	8,--
12	282-12	fixation screw for rear anti-roll bar	64-94	2,10
13	282-13	rear anti-roll bar side arm with bush	64-94	69,--
14	282-14	Bush for rear anti-roll bar side arm	64-94	10,--



<u>Abb</u>	<u>Item-nr.</u>	<u>Description</u>	<u>Year</u>	<u>Price</u> €
1	283-1	main brake cylinder ATE 1300-1600, standing pedals, no booster	63-69	160,--
1A	283-1A	main brake cylinder ATE 22 mm 1300/1750 standing pedals	67-70	160,--
1B	283-1B	main brake cylinder ATE, 1750, dual-circuit	67-69	451,--
1C	283-1C	Fastening pin for main brake cylinder, standing pedals	63-69	8,--
2	283-2	main brake cylinder Bendix 1300 / 1600 / 1750 standing pedals	63-69	160,--
3	283-3	main brake cylinder 1300/1600/1750/2000, hanging pedals	70-94	78,--
3A	283-3A	main brake cylinder original ATE, 105/115	70-94	205,--
4	283-4	brake fluid tank	70-94	82,--
4A	283-4A	brake fluid tank, round, standing pedals	63-70	58,--
4B	283-4B	brake fluid tank, standing pedals, hydraulic	66-69	69,--
4C	283-4C	brake fluid tank, hanging pedals, (3 cap)	69-85	129,--
4D	283-4D	rubber application for brake fluid tank round	63-70	19,50
5	283-5	cap for brake fluid tank	70-94	8,--
5A	283-5A	metal cap for lid		13,--
6	283-6	repair set for main brake cylinder, 1300/1600, standing pedals, Dunlop, no booster	63-69	32,--
6A	283-6A	repair set for main brake cylinder, 1300/1600, standing pedals, ATE, no booster	63-69	32,--
6B	283-6B	repair set for main brake cylinder ATE 20 mm 1300-2,0, hanging pedals	70-94	28,--
6C	283-6C	repair set for main brake cylinder ATE 22 mm 1300-2,0, hanging pedals	70-94	32,--
7	283-7	rubber stopper for main brake cylinder	70-94	6,--
8	283-8	brake booster 1300/1600, standing pedals	67-69	369,--
8A	283-8A	brake booster, 1750, standing pedals	68-69	445,--
8B	283-8B	brake booster, replacement part, standing pedals 1300 / 1600	66-69	250,--
8C	283-8C	Repair set for brake booster, Bonaldi 1300/1600	63-69	110,--
8D	283-8D	pledge f. used p.1,3/1,6, will be at exempt from charges reconsignment, (14 day's) repaid	63-69	120,--
8E	283-8E	Repair set for brake booster, Lockheed 1750	63-69	150,--
9	283-9	brake booster hanging pedals	71-94	295,--
9A	283-9A	brake booster, replacement part, 1300/1600/1750/2000	71-94	249,--
9B	283-9B	pledge for replacement parts, will be paid back when the used, revisable part returns	70-94	80,--
10	283-10	depression hose for brake booster	68-94	16,50
10A	283-10A	return valve for brake force regulator		44,--
10B	283-10B	fixation clamp original Romablok (17-19 mm)	58-94	5,--
11	283-11	brake force regulator 1. Series	63-70	230,--
12	283-12	brake force regulator - return valve, rear axle	70-94	230,--
12A	283-12A	brake force regulator Bonaldi, Spider, GT, Giulia, Alfetta	<84	127,--
13	283-13	brake force distributor, rear axle	70-94	27,--
14B	283-14B	set of air brake system pipes, Spider, Bertone	70-94	79,--
14C	283-14C	set of air brake system pipes, Giulia	70-78	79,--
15	283-15	brake line at front brake calliper, 1300/1600		8,50
15A	283-15A	brake line at front brake calliper, 1750/2000		8,50
17	283-17	switch for brake light, hanging pedals	70-89	18,--
17A	283-17A	switch for brake light, standing pedals	63-69	18,--
17B	283-17B	switch for brake light, hanging pedals	90-94	18,--



<u>Abb.</u>	<u>Item-nr.</u>	<u>Description</u>	<u>Year</u>	<u>Price</u> €
1B	284-1B	front brake calliper, LH 1750/2000	67-94	169,--
1C	284-1C	front brake calliper, RH 1750/	67-94	169,--
1D	284-1D	front left brake callipers, replacement parts 1300/16600	67-86	149,--
1E	284-1E	front right brake callipers, replacement parts 1300 / 1600	67-86	149,--
1G	284-1G	front left brake callipers, replacement parts 1750 / 2000	70-94	149,--
1H	284-1H	front right brake callipers, replacement parts, 1750 /2000	70-94	149,--
1J	284-1J	left front brake calliper 1300/1600	67-94	169,--
1K	284-1K	right front brake calliper 1300/1600	67-94	169,--
1L	284-1L	pledge f. used part, will be exempt from charges reconsignment, (14day´s) repaid	67-94	70,--
2	284-2	repair sit for 2 front brake callipers, 47 mm	67-94	29,--
2A	284-2A	steel circlip for front brake calliper, ATE	67-94	2,50
2B	284-2B	brake cylinder in front, Dunlop	63-66	81,--
2C	284-2C	brake piston 48 mm	67-94	17,--
2D	284-2D	repair sit for 2 front brake callipers, Dunlop	63-67	55,--
2E	294-2E	brake piston of front (Dunlop)	63-67	98,--
3	284-3	venting nipple for brake calliper 1300/1600	63-87	7,--
3A	284-3A	venting nipple for brake calliper in front 1750/2000	68-94	7,--
4	284-4	dust protection cap for venting nipple	63-94	2,--
5	284-5	front brake-hose	66-94	18,--
5A	284-5A	nut for brake-hose	64-94	1,50
5B	284-5B	bracket for brake hose front left	from 68	15,--
5C	284-5C	bracket for brake hose front right	from 68	15,--
6	284-6	set of front chock blocks 1300/1600	67-94	24,--
6A	284-6A	set of front chock blocks 1300 / 1600, Fedoro		34,50
6B	284-6B	set of front chock blocks 1750/2000/Montreal	68-94	24,--
6C	284-6C	set of front chock blocks, Dunlop brake system	63-66	110,--
6D	284-6D	set of front sport chock blocks, Dunlop (friction 0,55)	63-69	119,--
6E	284-6E	set of front chock blocks 17500 / 2000 / Montreal, Fedoro	68-94	42,--
7	284-7	fixation set for front chock blocks 1300 /1600	67-86	8,--
7A	284-7A	fixation set for chock blocks 1750 / 2000	70-94	8,50
8	284-8	front brake disc 267 mm Ø, 1300/1600	69-87	59,--
8B	284-8B	front brake disc 272 mm Ø, 1750/2000	68-93	64,90
8E	284-8E	front brake disc, Dunlop brake system	63-67	185,--
8F	284-8F	front brake disc, ATE, 1. series, 1300/1600	66-68	160,--
9	284-9	protective plate for front brake disc, LH, 1300/1600	68-86	46,50
9A	284-9A	protective plate for front brake disc, RH, 1300/1600	68-86	46,50
9B	284-9B	protective plate for front brake disc, LH, 1750/2000	68-94	45,--
9C	284-9C	protective plate for front brake disc, RH, 1750/2000	68-94	45,--
10	284-10	fixation screw for brake calliper in front	67-94	4,50

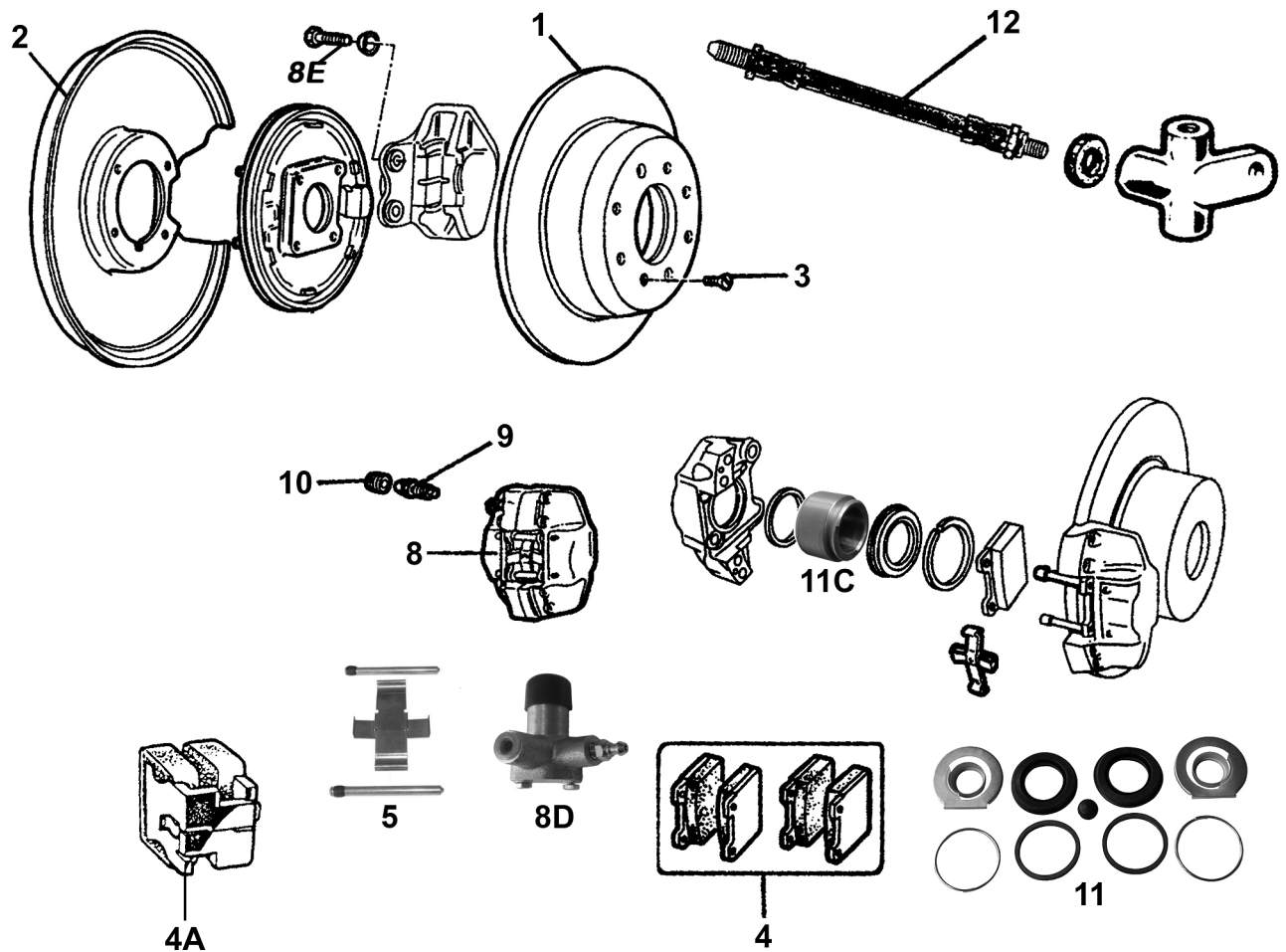
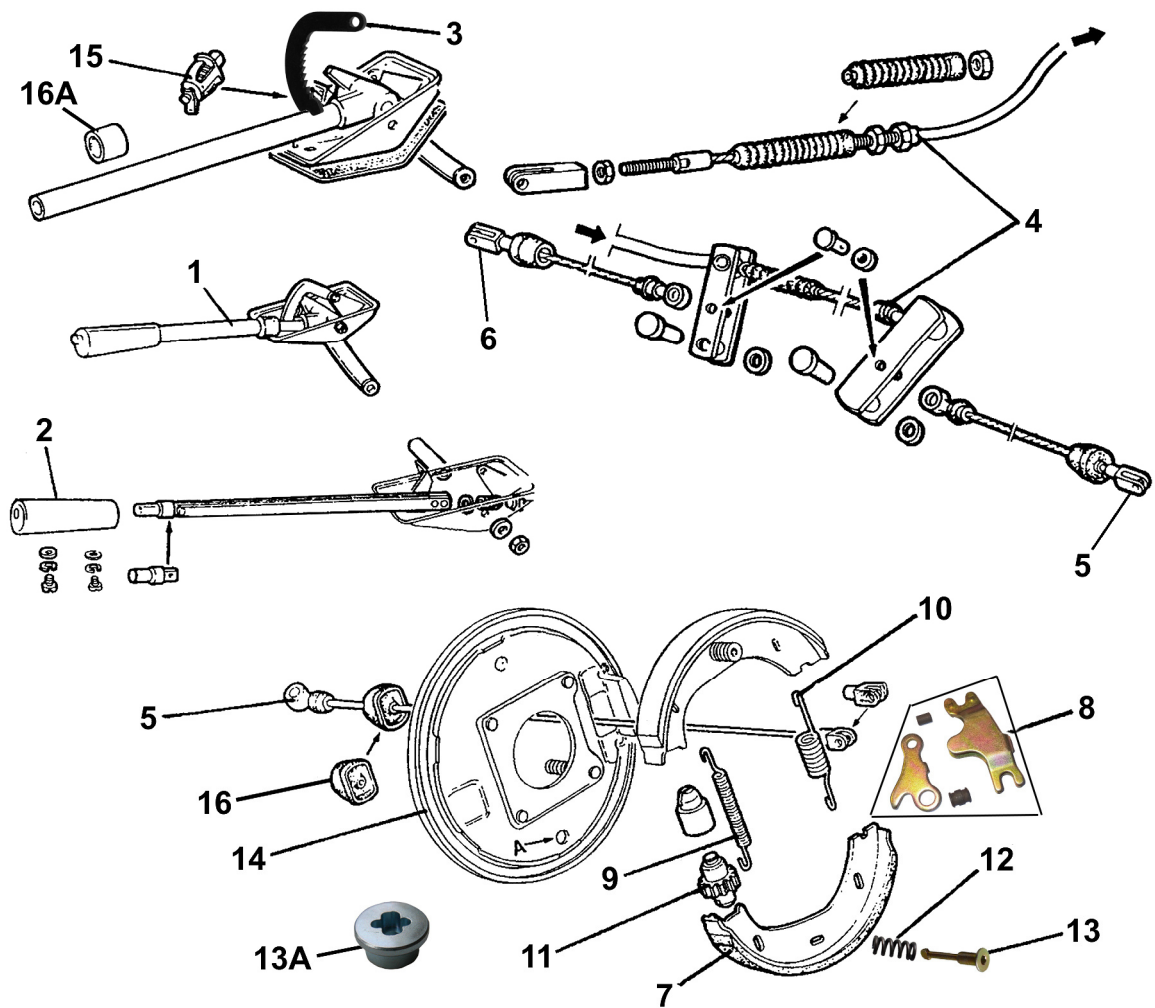


Abb.	Item-nr.	Description	Year	Price €
1	285-1	brake disc, rear, Dunlop	66-68	189,--
1A	285-1A	rear brake disc	69-94	57,--
1B	285-1B	set brake calliper, sport, punched	63-94	231,--
2	285-2	protective plate for rear brake disc	67-94	40,--
3	285-3	fixation screw for brake disc	67-94	2,30
4	285-4	set of chock blocks (4 units)	67-94	21,--
4A	285-4A	set of rear brake pads, 4 units, Dunlop	63-66	135,--
4B	285-4B	set of rear brake pads, Ferodo 1300 /1600 /1750 /2000	67-94	39,--
5	285-5	fixation set for chock blocks, rear	67-94	8,--
8	285-8	set of brake callipers, rear, replacement parts (piston 38 mm)	67-94	285,--
8A	285-8A	brake calliper, rear , left, rp.	67-94	155,--
8B	285-8B	brake calliper rear, right, rp.	67-94	155,--
8C	285-8C	pledge f. used p., will be at exempt from charges reconsignment, (14 day's) repaid	66-94	70,--
8E	285-8E	fixation screw for brake calliper	69-94	4,50
8D	285-8D	wheel brake cylinder (rear/ Dunlop)	63-66	85,--
9	285-9	venting nipple for brake calliper	67-94	7,--
10	285-10	dust protection cap for venting nipple	67-94	2,--
11	285-11	repair set for 2 brake callipers, rear 38 mm, incl. steel spring washers	67-94	39,--
11A	285-11A	repair set for 2 brake callipers, rear 30 mm	66-69	52,--
11B	285-11B	Steel spring for back brake calliper		2,50
11C	285-11C	brake piston 38 mm	67-94	17,--
12	285-12	brake-hose, rear	67-94	17,--
12A	285-12A	nut for brake-hose	63-94	1,50
16	285-16	fixation plate for brake rear, left or right	67-94	160,--



<u>Abb.</u>	<u>Item-nr.</u>	<u>Description</u>	<u>Year</u>	<u>Price</u> €
1	286-1	handbrake lever	66-94	135,--
2	286-2	black plastic handle for handbrake	83-94	38,--
2A	286-2A	beige plastic handle for handbrake	83-94	50,--
2C	286-2C	burl wood handle for handbrake	64-94	56,--
2D	286-2D	handbrake lever plastic black	66-82	29,--
3	286-3	gear segment (stainless steel) for handbrake lever	64-94	18,90
3A	286-3A	complement to handbrake cable	63-94	9,50
4	286-4	handbrake cable (Spider ATE)	68-94	58,--
4A	286-4A	handbrake cable, Giulia	70-78	53,--
4B	286-4B	handbrake cable, GT, Bertone	64-77	53,--
5	286-5	handbrake cable, LH side with rubber sealing	64-94	9,--
5A	286-5A	rear left handbrake cable (Dunlop)	63-67	79,--
6	286-6	handbrake cable, RH side with rubber sealing	64-94	9,--
6A	2866A	rear right handbrake cable (Dunlop)	63-67	79,--
7	286-7	set of handbrake shoes (4 units)	64-94	34,--
8	286-8	splayed lock (one set, per side)	67-94	19,--
9	286-9	fixation spring for front brake shoes	67-94	5,--
10	286-10	fixation spring for brake shoe, rear	67-94	4,50
11	286-11	gear segment for brake shoe	64-94	48,--
12	286-12	spring for brake shoe center	64-94	3,--
13	286-13	pin for brake shoe	64-94	5,90
13A	286-13A	counter piece for pin	63-94	8,--
14	286-14	rear brake armature plate	64-94	179,--
15	286-15	switch for handbrake lighting	64-94	10,--
16	286-16	sleeve for brake cable	63-94	6,50
16A	286-16A	rubber for handbrake lever	63-94	6,50



<u>Abb.</u>	<u>Item-nr.</u>	<u>Description</u>	<u>Year</u>	<u>Price</u> €
1	287-1	silver steel wheel rim, for big hubcap, 5,5 x 14	63-89	130,--
2	287-2	alloy wheel rim 5,5 x 14, ET 38 campagnolo style, millerighe replica	63-94	215,--
3	287-3	alloy wheel rim (Cromodora) 6 x 14 « , ET 24, Spider GT	64-89	265,--
3A	287-3A	alloy wheel rim (Cromodora) 6 x 14 " , ET 30 Giulia	63-78	265,--
4	287-4	set alloy wheel rim, 6,5x14, BE 27 mm, GTA	63-77	1050,--
4A	287-4A	alloy wheel rim, GTA replica 6 x 14, ET 30 mm	63-94	220,--
4B	287-4B	alloy wheel rim, GTA replica 7 x 14, BE 23 mm	63-94	249,--
4C	287-4C	alloy wheel rim, GTA replica 7 x 15, BE 29 mm	63-94	275,--
4D	287-4D	alloy wheel rim, GTA replica 6 x 15, BE 30 mm	63-94	269,--
5	287-5	alloy wheel rim 5,5 x 15 TZ, ET 36 mm	62-71	230,--
5A	287-5A	alloy wheel rim 5 x 15 TZ/TI, ET 36 mm	62-71	215,--
5B	287-5B	alloy wheel rim 5,5 x 15 TZ/TI, ET 36 mm, with brackets	62-71	250,--
9	287-9	hubcap, chrome with embossed emblem	63-67	89,--
10	287-10	hubcap with small script circle	63-67	75,--
11	287-11	hubcap with big script circle	66-70	45,--
12	287-12	hubcap with embossed emblem	70-82	55,--
13	287-13	hubcap with attached emblem	70-82	60,--
14	287-14	hubcap blind for steel wheel rim with alfa emblem, orig.	90-94	49,--
15	287-15	hubcap-emblem for alloy wheel rim, 48 Ø, silver - black	63-82	6,50
16	287-16	hubcap-emblem for alloy wheel rim, 48 Ø, black - silver	63-82	6,50
17	287-17	hubcap-emblem for original alloy wheels	90-94	14,80
18	287-18	fixation ring for hubcap-emblem (287-17)	78-94	4,60
19	287-19	set of chromed valve caps with Alfa-emblem (metal)	63-94	18,--
20	287-20	wheel nut, chromed cap nut, left-handed thread	63-70	10,--
20A	287-20A	wheel nut open, right-hand thread, chromed	63-70	10,--
21	287-21	wheel nut, of brass, left-handed thread	56-72	8,25
21A	287-21A	wheel nut, open, right-hand thread, of brass	56-72	8,25
22	287-22	wheel nut, collar cap nut, right-handed thread chromed, steel rim	63-86	7,50
22A	287-22A	wheel nut, collar cap nut, left-handed thread, chromed steel rim	63-86	7,50
23	287-23	chromed wheel nut (for alloy wheel rim) right-hand thread	63-94	4,50
24	287-24	chromed wheel nut for alloy rim, left hand thread	63-70	7,50
25	287-25	chromed wheel nut for alloy rim	87-94	8,50



<u>Abb</u>	<u>Item-nr.</u>	<u>Description</u>	<u>Year</u>	<u>Price</u> €
1	288-1	longish exterior mirror with embossed Alfa emblem	66-94	41,--
1A	288-1A	repair kit (glass + gasket) for exterior mirror oblong	66-94	14,90
2	288-2	round exterior mirror foot 25 mm wide, with embossed Alfa emblem	66-94	34,--
2A	288-2A	round exterior mirror, foot 25 mm wide, no Alfa emblem	66-94	49,--
2B	288-2B	round exterior mirror, with embossed Alfa emblem, foot 22 mm wide	66-94	37,--
2C	288-2C	round exterior mirror, without emblem, foot 22 mm wide	66-94	45,--
2D	288-2D	round exterior mirror w. embossed Alfa emblem, Marini (KBA no) foot 25 mm wide	70-94	49,--
2E	288-2E	round exterior mirror with embossed Alfa emblem, Marini (KBA no.) foot 22 mm wide	63-94	49,--
3	288-3	mirror to clip Bertone, Giulia	63-69	50,--
4	288-4	black left exterior mirror	87-89	on request
4A	288-4A	black right exterior mirror	87-89	on request
5	288-5	left exterior mirror	90-94	195,--
5A	288-5A	right exterior mirror	90-94	195,--
6	288-6	mirror underlay	87-89	13,--
7	288-7	mirror underlay	90-94	8,--
8	288-8	installation kit for chrome foot 25 mm wide (2 screws, 1 gasket)	66-94	5,--
8A	288-8A	gasket for chrome foot 22 mm wide		3,--
10A	288-10A	repair kit (2 glasses) for interior mirror	83-94	26,--
12	288-12	radiator grill, Spider - round rear end	66-69	395,--
13	288-13	Radiator grill, Spider	70-82	130,--
16	288-16	Radiator grill, Spider	83-89	148,--
17	288-17	exterior mirror, chrome, Giulietta Sprint, Spider	56-65	50,--
18	288-18	chrome ring, metal for additional instruments	63-86	25,--
20	288-20	heater blind, plastic, Spider, Giulia, GT without centre console 1,3/1,6	66-78	59,--
21	288-21	chrome blind heater actuation part, Spider, Bertone, Giulia, with centre cons. 1,3/1,6	70-86	36,--



<u>Abb.</u>	<u>Item-nr.</u>	<u>Description</u>	<u>Year</u>	<u>Price</u> €
1	289-1	Giulia 1300 writing		25,--
2	289-2	Giulia 1300 ti writing		38,--
3	289-3	Giulia 1600 writing		40,--
4	289-4	Giulia ti writing		35,--
5	289-5	Giulia super ti writing		36,--
6	289-6	Giulia super writing		35,--
7	289-7	Nuova 1300, writing, Giulia		35,--
9	289-9	Alfa Romeo sign, metal		20,--
10	289-10	Alfa Romeo sign, metal		20,--
11	289-11	Alfa Corse sign, metal		20,--
12	289-12	Centro Stile Alfa Romeo sign, metal		20,--
13	289-13	Clover leaf green, metal		31,--
14	289-14	Racing Team sign, metal		31,--
15	289-15	Alfa Corse sign, metal		31,--
16	289-16	Bertone writing		30,--
17	289-17	Bertone emblem enamelled		45,--
17A	289-17A	Bertone emblem		29,--
18	289-18	Bertone emblem gold colour, enamelled		38,--
19	289-19	Set Bertone sign, Montreal		160,--
20	289-20	Alfa Corse sign, metal		25,--
21	289-21	Clover leaf		20,--
22	289-22	Radio blind, Giulia	67-78	75,--
23	289-23	Giulia writing		29,--
24	289-24	Bertone sign, metal with gasket		60,--

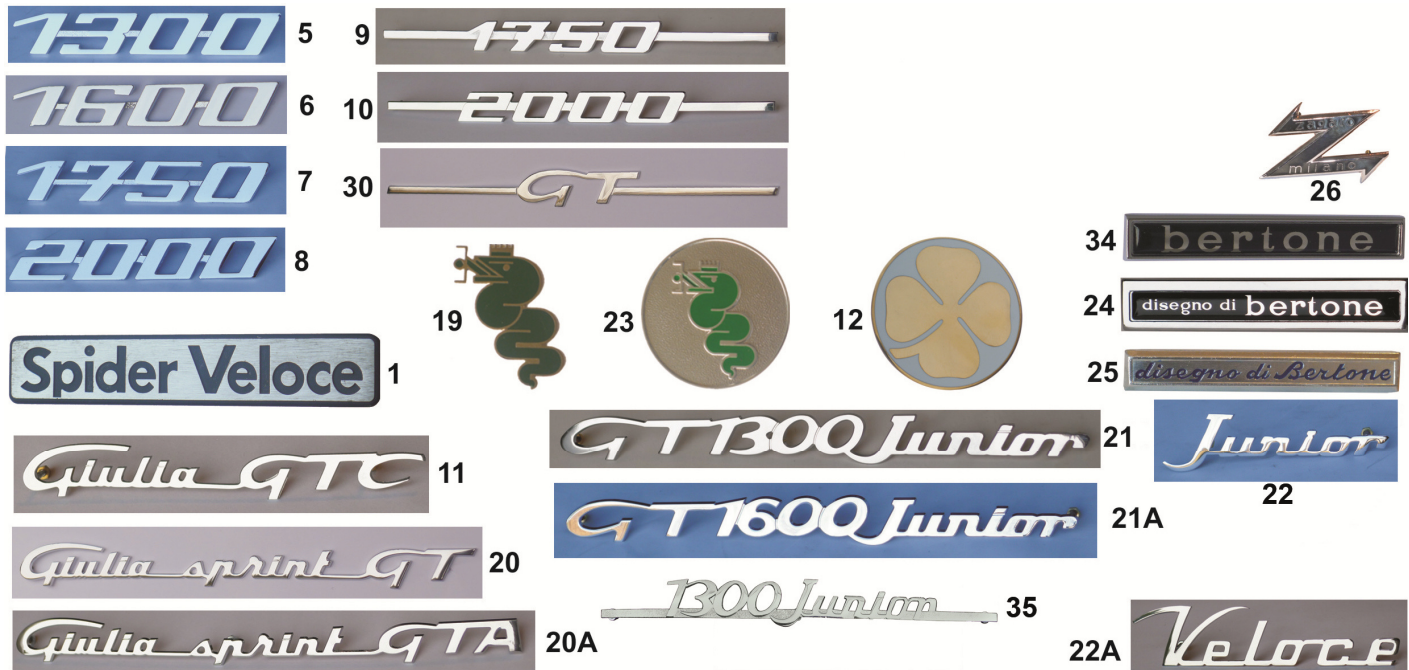


Abb.	Item-nr.	Description	Year	Price €
1	290-1	Alfa Spider Veloce	83-89	40,--
2	290-2	Alfa Spider 2,0	83-89	40,--
3	290-3	Alfa Spider 1,6	83-89	40,--
5	290-5	chrome writing 1300, Spider	70-82	44,--
6	290-6	chrome writing 1600, Spider	70-82	48,--
7	290-7	chrome writing 1750, Spider / Bertone	70-82	44,--
8	290-8	chrome writing 2000, Spider	70-82	43,--
9	290-9	chrome writing for rear flap, 1750 Spider, Bertone	68-73	75,--
10	290-10	chrome writing for dashboard, 2000 Bertone	70-78	75,--
11	290-11	Giulia GTC writing	66-73	75,--
12	290-12	clover leaf enamelled coloured white-gold with chrome frame on c-pillar, 1750		85,--
12A	290-12A	clover leaf enamelled coloured white-gold with chrome frame on c-pillar, 1750		85,--
19	290-19	set snakes silver-green, enamelled, left, C- pillar	63-77	78,--
20	290-20	Giulia sprint GT, writing	63-94	90,--
20A	290-20A	Giulia sprint GTA writing	63-69	90,--
21	290-21	GT 1300 Junior, writing	63-94	90,--
21A	290-21A	GT 1600 Junior writing	63-94	90,--
22	290-22	Junior writing	63-94	43,--
22A	290-22A	Veloce writing	63-69	73,--
23	290-23	set green snakes, left and right, GT	70-77	92,--
24	290-24	disegno di Bertone	69-77	38,--
25	290-25	disegno di Bertone, metal	63-69	42,--
26	290-26	Zagato Milano sign, sideway	63-94	39,--
27	290-27	Zagato sign, rear, chromed	63-75	42,--
29	290-29	fixation spout or nut for emblem or writing	63-94	1,--
30	290-30	GT sign	63-94	72,--
34	290-34	sign Bertone	70-80	38,--
35	290-35	1300 Junior, chromed writing	63-69	99,--



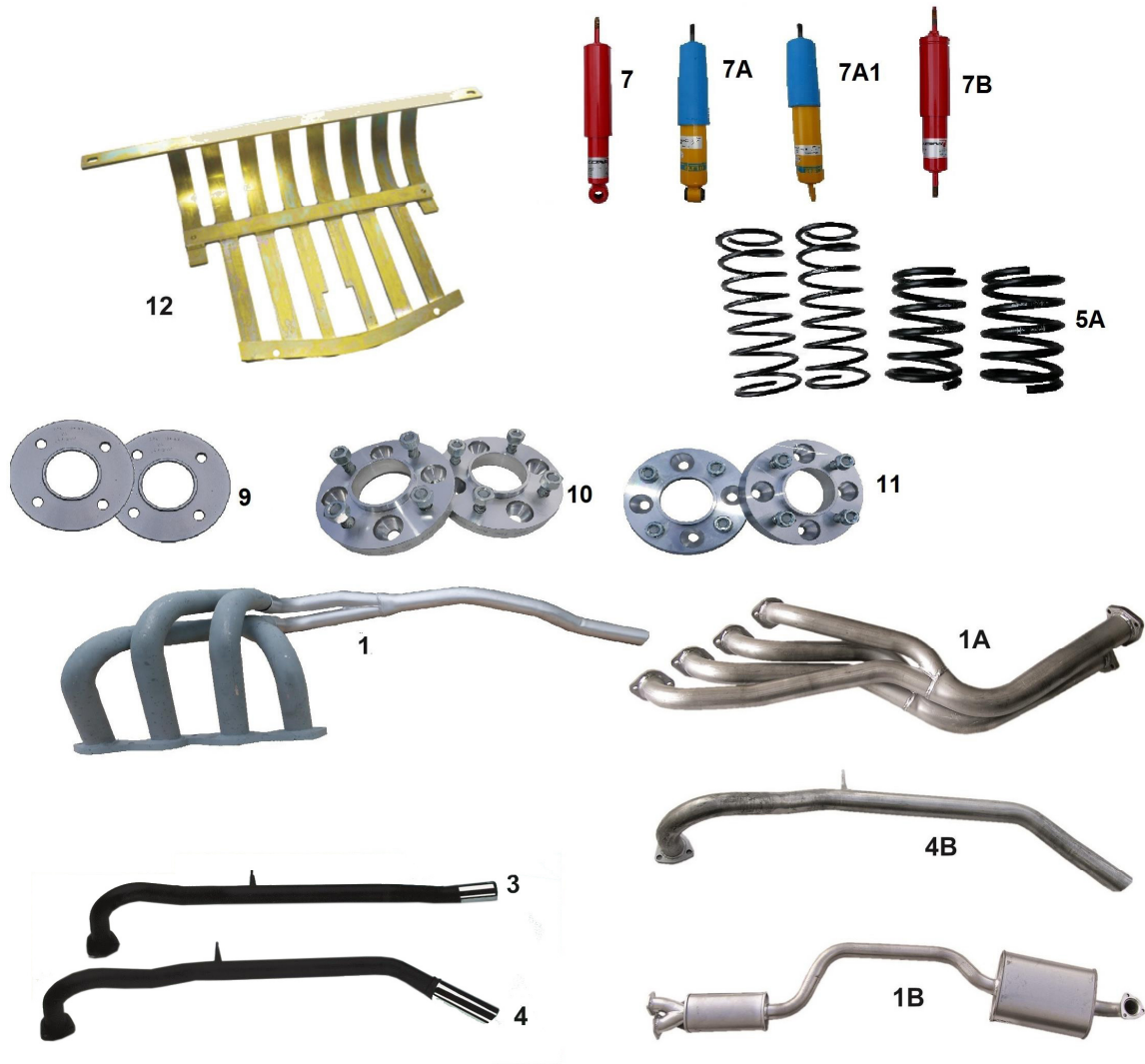
Abb.	Item-nr.	Description	Year	Price €
1	291-1	Alfa Romeo writing, metal chromed, one part (to be plugged),	70-82	86,--
1A	291-1A	Alfa Romeo writing, metal chromed, adhesive	70-89	35,--
2	291-2	Alfa Romeo writing, chromed, one-part, 24 cm long	90-94	18,--
2A	291-2A	writing Spider, for gluing, plastic	90-94	20,--
2B	291-2B	sign 2.0 Spider, plastic	90-94	10,--
2C	291-2C	writing veloce, plastic (self-adhesive)	90-94	25,--
3	291-3	Alfa Romeo writing, chromed, two-parts	66-69	83,--
4	291-4	Alfa Romeo Milano - Emblem, enamelled, to screw on	63-94	38,--
4A	291-4A	plastic Alfa Romeo Milano emblem	63-94	26,--
5	291-5	plastic Alfa Romeo emblem	70-82	26,50
6	291-6	Alfa Romeo emblem 75 mm, plastic	ab 83	22,--
7	291-7	enamelled Pininfarina emblem	66-72	29,--
7A	291-7A	enamelled Pininfarina emblem, 4,2 x 1,8 cm	63-94	18,--
7B	291-7B	Pininfarina emblem 2-parts, Giulietta Spider, Lancia, Ferrari		44,--
8	291-8	Pininfarina emblem sideway for sticking, plastic	70-86	25,--
9	291-9	longish Pininfarina emblem, convex, plastic	86-94	25,--
10	291-10	Pininfarina emblem for dashboard, plastic	66-82	97,--
11	291-11	Pininfarina emblem for dashboard, plastic	71-82	100,--
12	291-12	disegno di Pininfarina, sideways, at mudguard Alfa, Fiat, Ferrari	63-94	60,--
12A	291-12A	Pininfarina writing (Alfa , Fiat, Ferrari)	63-94	75,--
13	291-13	Pininfarina writing	95 >	30,--
14	291-14	rubber underlay for Pininfarina emblem	63-94	3,70
15	291-15	fixation spout or nut for emblem or writing	70-94	3,--
16	291-16	complete set with 7 different pins	63-94	49,--
16A	291-16A	Alfa pin (specify type!)	63-94	10,--
17	291-17	Pininfarina pin	63-94	10,--
18	291-18	pin set, evolution of the Alfa emblem from 1910; pin set	63-94	45,--



Abb.	Item-nr.	Description	Year	Price €
1	292-1	Key fob Alfa Romeo snake (green, yellow or red)	63-94	10,--
2	292-2	Key fob Alfa 147	63-94	10,--
2A	292-2A	Key fob Alfa radiator grill, 147	63-94	10,--
3	292-3	Key fob Alfa heart, red	63-94	10,--
4	292-4	Key fob Alfa heart, blue	63-94	10,--
5	292-5	Key fob Alfa 156, blue	63-94	10,--
6	292-6	Key fob Alfa 156, red	63-94	10,--
7	292-7	Key fob Alfa Romeo 156	63-94	10,--
8	292-8	Key fob shamrock	63-94	10,--
9	292-9	Key fob leather brown with laurel wreath- Alfa Romeo	63-94	15,--
10	292-10	Key fob Alfa Romeo with Italian flag	63-94	15,--
11	292-11	Key fob external metal, internal wood w. Alfa Romeo Emblem	63-94	12,--
13	292-13	Key fob luxury with Alfa Emblem silver-coloured	63-94	16,--
14	292-14	Key fob luxury with Alfa-Emblem, Metal	63-94	16,--
15	292-15	Key fob luxury with Pininfarina-Emblem Metal	63-94	16,--
16	292-16	Key fob luxury round, with Alfa Romeo Emblem	63-94	16,--
17	292-17	Key fob with Pininfarina Emblem	63-94	12,--
18	292-18	Key fob black leather with Alfa-Emblem Milano	63-94	12,--
19	292-19	Key fob Alfa Romeo, Metal	63-94	16,--
20	292-20	Key fob, leather red, with Alfa Romeo Emblem	63-94	15,--
21	292-21	Key fob, leather beige, with Alfa Romeo Emblem	63-94	15,--
22	292-22	Key fob, (wheel with Alfa Romeo Emblem	63-94	12,--
23	292-23	Key fob with Alfa Emblem / black strip	63-94	10,--
24	292-24	Key fob with Alfa Emblem / strip Italian colours	63-94	10,--
25	292-25	Key fob with Alfa Emblem / red strip	63-94	10,--
26	292-26	Key fob with Alfa emblem, round, wood optics	63-94	12,--
27	292-27	Key fob, Alfa Corse	63-94	10,--



Abb.	Item-nr.	Description	Year	Price €
1	293-1	type plate, sheet metal, made in Italy	63-94	11,--
2	293-2	plain type plate for chassis number, sheet metal	63-94	14,60
3	293-3	plain type plate for chassis number, sheet metal	ab 90	12,50
4	293-4	type plate, sheet metal, round rear end 1300 / 1600 / 1750	66-69	14,60
5	293-5	label for bonnet, oil species - viscosity // 105	66-94	10,--
5A	293-5A	sticker for bonnet, oil species - viscosity // 115		10,--
5B	293-5B	label for bonnet, oil species - viscosity series 4		10,--
6	293-6	sticker Fispa for housing air cleaner, dual carburettor 128 mm	69-94	8,45
6A	293-6A	label for Fispa air cleaner 2000+2600 // 105 /115		6,50
7	293-7	label original lacquer number = red 501	63-94	4,90
7A	293-7A	label original lacquer number = red 514	63-94	4,90
7B	293-7B	label original lacquer number = rot 130	63-94	4,90
7C	293-7C	sticker with number of original varnish, different colours on request	63-94	7,70
7D	293-7D	label mille miglia 7,3 x 4,7 cm	63-94	10,--
7E	293-7E	label mille miglia 9,2 x 5,8 cm	63-94	9,50
7F	293-7F	label mille miglia 3 x 6,3 cm	63-94	8,--
8	293-8	sticker with Alfa Romeo emblem, 20 mm	63-94	2,50
8A	293-8A	sticker with Alfa Romeo emblem, 46 mm	63-94	3,50
8B	293-8B	sticker with Alfa Romeo emblem, 74 mm	63-94	5,70
8C	293-8C	stitch-on sticker with Alfa emblem, 90 mm	63-94	7,--
8D	293-8D	sticker with Alfa Romeo emblem, 46 mm, black/silver		6,--
9	293-9	enamelled metal Alfa Romeo emblem, 40 mm, slightly domed	63-94	14,50
9A	293-9A	Alfa Romeo emblem gold for ash-tray 32 mm	67-79	15,--
9B	293-9B	Alfa Romeo emblem silver for ash-tray	67-79	15,--
9C	293-9C	Alfa Romeo emblem gold for ash-tray Giulia		14,--
10	293-10	adhesive Italian flag 6x1 cm	63-94	4,--
11	293-11	metal Pininfarina emblem, enamelled, 20 mm	63-94	10,--
12	293-12	Pininfarina emblem, 40 mm, metal for horn button	63-94	15,--
12A	293-12A	Pininfarina sticker, 52 mm	63-94	4,10
13	293-13	shamrock sticker, on white triangle ca. 14,5 cm	63-94	15,--
13A	293-13A	shamrock sticker, red, green, white or yellow, 10,8x10,8 cm	63-94	5,20
13B	293-13B	shamrock alloy (to be plugged), C- pillar	63-94	15,--
14	293-14	Alfa Romeo snake, sticker green, 5,7 cm	63-94	5,--
14A	293-14A	Alfa Romeo snake, sticker, red, black, yellow or green, 11,8 cm	63-94	9,50
15	293-15	adhesive label: Type 115.38		9,50
15A	293-15A	adhesive label: Type 115.35, Alfa 1600	74-81	9,50
16	293-16	adhesive label: Original spares	63-94	6,--
17	293-17	"Magnetti Marelli" adhesive label white, 10x5,2 cm		5,--
18	293-18	"Attention" adhesive label		8,--
19	293-19	label for radiator cap		4,90



<u>Abb.</u>	<u>Item-nr.</u>	<u>Description</u>	<u>Year</u>	<u>Price</u> €
1A	294-1A	manifold (fan-shape), 60 mm without ABE, Spider GT, GTA, Giulia	63-89	390,--
1B	294-1B	exhaust double pot, GTA	64-69	315,--
1C	294-1C	black fan manifold 63-89 Spider, GT, Giulia	63-89	499,--
1D	294-1D	sportive exhaust pot end, GTA	64-69	130,--
3	294-3	sportive exhaust-pipe end, Spider	83-94	79,--
4	294-4	sportive exhaust-pipe end, GT Bertone, Giulia	63-77	79,--
4A	294-4A	sportive exhaust-pipe end, Spider	66-82	79,--
4B	294-4B	sportive exhaust-pipe end, GTA 1300 / 1600, 60	64-69	85,--
4C	294-4C	end piece, stainless steel, with mounting parts	63-94	25,--
5A	294-5A	vehicle height-adjustment set Eibach, 40mm Spider Bertone	66-87	259,--
5B	294-5B	vehicle height-adjustment set, 40 mm, Eibach, Giulia, Spider	87-94	259,--
6	294-6	sportive shock absorber, (4 units) Koni red Spider, Gt, Giulia	63-94	360,--
7	294-7	red front shock absorber, adjustable, Koni red	66-94	95,--
7A	294-7A	shock absorber, gas pressure, Bilstein front	63-94	120,--
7A1	294-7A1	shock absorber, gas pressure, Bilstein rear	63-94	120,--
7B	294-7B	red rear shock absorber, adjustable, Koni red	66-94	107,90
8	294-8	set (2 units) of tread with broadening, 5 mm per wheel	63-94	55,--
9	294-9	set (2 units) of tread with broadening, 10 mm per wheel	63-94	79,--
10	294-10	set (2 units) of tread with broadening, 30 mm per wheel	63-94	175,--
11	294-11	set (2 units) of tread with broadening, 20 mm per wheel	63-94	175,--
12	294-12	oil pan protection zinc plate	63-94	99,--
13	294-13	anti-roll bar in front Eibach (27 mm)		269,--



<u>Abb.</u>	<u>item-nr.</u>	<u>Description</u>	<u>Year</u>	<u>Price</u> €
1	295-1	dash board GFK, GTA	64-69	589,--
2	295-2	engine bonnet plastics, Bertone 2. series	70-77	890,--
2A	295-2A	engine bonnet plastics, Bertone 1.series	64-69	920,--
2B	295-2B	rear flap plastics, Bertone without emblem seating	64-77	495,--
3	295-3	set (4 units) of tread width broadening	67-77	695,--
3A	295-3A	set (4 units) of tread width broadening GTA (Gruppo 2	63-77	695,--
4	295-4	windscreen GT with 50% lighter, green wedge	64-77	465,--
5	295-5	Alfa Romeo writing for front or rear window, all models	64-77	25,--
5A	295-5A	Alfa Romeo writing for front or rear window , all models	64-77	25,--
6	295-6	set of sportive camshaft Colombo-Bariani 1300-2,0/ 11,4 hub/300°	63-89	595,--
6A	295-6A	set of sportive camshaft Colombo-Bariani 1300-2,0/ 10,9 hub/280°	63-89	550,--
6B	295-6B	set of sportive camshaft Colombo-Bariani 1300-2,0/ 12 hub/292°	63-89	550,--
7	295-7	set pistons and cylinder sleeves, Alfetta motronic	63-89	650,--
8	295-8	set of sportive air filter chromed K&N 40 / 45 Ø	63-89	245,--
9	295-9	set of sportive-sprint-filter 40 / 45 Ø opening	63-89	220,--
10	295-10	Set of sportive brake disc, punched in front 1300/1600, 267 mm	67-86	231,--
11	295-11	Set of sportive brake disc, punched in front 1600/2000, 272 mm	67-94	231,--
12	295-12	Set of sportive brake disc, punched, rear	67-94	231,--
13	295-13	upper bearing arm left, adjustable	63-94	148,--
13A	295-13A	upper bearing arm right, adjustable	63-94	139,--
14	295-14	cylinder-head gasket 1300, Spesso Racing	63-94	149,--
14A	295-14A	cylinder-head gasket 1600, Spesso Racing	63-94	149,--
14B	295-14B	cylinder-head gasket 2000, Spesso Racing	63-94	149,--
15	295-15	set of front chock blocks 1300/1600 Ferodo Racing DS 2500		95,--
16	295-16	set of front chock blocks 1750/2000 Ferodo Racing DS 2500		85,--

Terms of business

Normally our parts that are listed in our spare part list, are in stock. Other Parts are available on demand. As far as it is not marked as replica it is a new original Pininfarina-, Fiat- or Alfa Part.
Parts that are marked as used parts are under caveat emptor.

Prices

All prices are inclusive 19 % VAT plus forwarding charges. Additional charge for bulk goods: 24,00 EUR Additional charge for package-insurance with a package value over 500,00 EUR: 4,20 EUR. Shipment by DPD: 23,30 – 33,70 EUR. Shipment to foreign countries (Great Britain, Netherlands, Italy, Portugal , Spain only with credit card payment by Master or VisaCard): Price according to weight, country and term. Shipment with payment by Master or VisaCard is cheaper and faster, otherwise C.O.D. Relevant are the current prices on the day of order.

Delivery

Orders placed by telephone are at buyer's request, risk and expense. With the placing of orders our terms of business are irrevocably accepted. Part-delivery is allowed. Outstanding Orders will be delivered in addition if possible. If you pick up your goods, please duly agree upon a date with us!!!

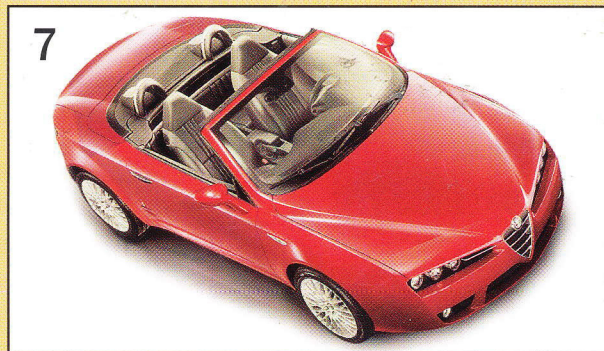
Reclamations

Reclamations, which have not been made in written form in a period of 14 days after receipt of the consignment, can not be considered. Conditions for returns: The product must be sent carriage free with the copy of the invoice and a written comment about the reclamation reason.

If the reclamation is accepted to be justifiable, we reserve the right to deliver an alternative of our choice or remedy deficiencies quickest possible. If this is not done in an adequate period of time, the buyer has the right to return the product. Receivables of Indemnity, employee's wages, transport or consequential costs will be strictly declined. If correctly delivered parts are returned, we charge 15 % of the product value. On accounting for a new order we charge 7 % of the value of the returned product.

Place of fulfilment

Place of fulfilment for delivery and payments is Lehrte. Place of jurisdiction for both parties concerning all disputes arising is Lehrte.



1. Giulietta 1952 - 1964
2. Duetto 1952 - 1970
3. Coda Tronca 1970 - 1982
4. Spider 1983 - 1989

5. Spider 1990 - 1994
6. Spider 1995 - 2004
7. Spider ab 2006

Del Priore

Zum Roden 5
D - 31275 Aligse / Lehrte
Tel. 0049 - 5132 - 82 50 60
Email: Info@del-priore.com
www.Del-Priore.com