

Del Priore

Spare parts Alfa Romeo
GT Bertone, GTA, Giulia
English



Del Priore
Zum Roden 5
D - 31275 Lehrte/Aligse

Tel.: +49 (0)5132/825060
Fax: +49 (0)5132/825070
info@del-priore.com

www.del-priore.com



The current prices can be found
in our onlineshop



valid from 01. January.22

Index of contents

car body

GT, Bertone

category

page

lighting 5-6
sheet metal: in front , doors 7-8
sheet metal: sillboard, bottom 9
sheet metal: rear 10
hoods and attaching parts 11
chrome: bumpers, radiator grill 12
panes, gaskets and attaching parts 13
doors and attaching parts 14-15
interior 16-19

Giulia, Berlina

lighting 20-21
sheet metal: in front 22-23
sheet metal: doors and rear 24
hoods and attaching parts 25
chrome: bumpers, radiator grill 26
panes, gaskets and attaching parts 27
interior 28-30

mechanic

accessories

wooden parts

electrical parts

category

page

car protection 1
gear shift knobs, steering wheels 2-3
ignition, generator, starter 31-33
heating 34
wiper system 35-36
switches 37

engine parts

pistons, connection rod, cylinder head, valves 38-42
oil system, engine gasket kits, oil seals 43-44
carburetor, air filter, fuel filter 45-47
fuel tank 48
radiator and hoses 49-50
exhaust pots and installation material 51-52
clutch, gear box 53-55

fuel system

cooling system

exhaust system

axles

front axle, rear axle, cardan shaft 56-63

brake system

hydraulic system, brake front and rear 64-67

miscellaneous

rims, hub caps, mirrors, chrome parts, emblems,
tuning parts 68-76

Your client number

you find our terms and conditions on our website www.del-priore.com



<u>Abb.</u>	<u>Item-nr.</u>	<u>Description</u>	<u>Year</u>	<u>Price</u> €
4	23-4	red car cover, including handle bag, Spider, Bertone	63-94	60,--
4A	23-4A	red car cover, including handle bag, Giulia	63-78	60,--
4B	23-4B	blue car cover including handle bag	63-94	60,--
5	23-5	car cover, weatherproof	66-94	129,--
6	23-6	car cover Spider, GTV	since 94	60,--
7	23-7	wind deflector, standard net, stow able with TÜV	66-94	157,--
7B	23-7B	wind deflector, standard net, stow able	95-04	199,--
9	23-9	original Alfa jump suit		72,--
10	23-10	baseball cap with Alfa emblem		12,--
11	23-11	Alfa Romeo emblem to stitch on car protection cover, Ø 29cm	colored	27,--
12	23-12	black polo shirt with Alfa emblem (100 % cotton)	M / L / XL	25,--
12A	23-12A	red polo shirt with Alfa emblem (100 % cotton)	M / L / XL	25,--



<u>Abb.</u>	<u>item-nr.</u>	<u>Description</u>	<u>Year</u>	<u>Price</u> €
1	24-1	gear shift lever, wood with enamelled Alfa emblem	63-94	58,--
1A	24-1A	gear shift lever, mahogany, no emblem	63-94	45,--
1B	24-1B	gear shift lever, burl wood, with Pininfarina emblem, enamel.	63-94	65,--
1C	24-1C	gear shift lever, plastic black, orig. Alfa	63-94	37,--
1D	24-1D	gear shift lever, plastic black, orig. Alfa with shift-pattern	63-49	49,--
1E	24-1E	gear shift lever, long, mahogany	70-94	48,--
1F	24-1F	gear shift lever, long, burl wood/ leather	70-94	65,--
2	24-2	gear shift lever plastic black for automatic gearbox	87-94	55,--
3	24-3	gear shift lever, mahogany with Nardi emblem	63-94	55,--
4	24-4	gear shift lever, mahogany with enamelled Alfa emblem	63-94	55,--
4A	24-4A	gear shift lever, mahogany with Pininfarina emblem	63-94	55,--
5	24-5	gear shift lever, black, Spider	87-94	118,--
6	24-6	handbrake lever, burl wood	63-94	65,--
7	24-7	handbrake lever plastic black	83-94	38,--
7A	24-7A	handbrake lever plastic black	63-83	29,--
8	24-8	handbrake lever plastic beige	87-94	50,--
9	24-9	wooden blind for lower door covering clack, LH	77-94	60,--
10	24-10	wooden blind for lower door covering clack, RH	77-94	60,--
13	24-13	set of burl wood for controls and instruments, 4-piece	87-94	216,--
13A	24-13A	set (4 pieces) for dashboard, of reddish burl wood	87-94	216,--



Abb.	item-nr.	Description	Year	Price €
1	25-1	steering wheel, with hub, black, original Alfa	87-89	295,--
2	25-2	wooden steering wheel, Nardi classico, Ø 36	63-94	409,--
2A1	25-2A1	wooden steering wheel, Nardi classico, Ø 39	63-94	419,--
2A	25-2A	wooden steering wheel, Nardi classico similar 36,5 Ø	63-94	195,--
2C	25-2C	wooden steering wheel, Nardi classico, Ø 36 / 39 without TÜV	63-94	460,--
3	25-3	wooden steering wheel, Hellebore Style without horn button	66-72	369,--
3A	25-3A	wooden steering wheel, orig. Alfa without horn button, deep version, Spider. Bertone	72-86	369,--
3B	25-3B	fixation rivet for steering wheel/ hub	67-86	4,50
4	25-4	wooden steering wheel with hub and horn button, GTA	67-72	550,--
7	25-7	wooden steering wheel with chrome spokes, Ø 36 cm	63-94	195,--
8	25-8	hub for Nardi steering wheel with TÜV	90-94	140,--
8A	25-8A	hub without TÜV Spider	90-94	109,--
8B	25-8B	hub, 85 mm Ø horn button	63-73	65,--
8C	25-8C	hub, 53 or 57 mm Ø horn button (deep version)	70-86	65,--
8D	25-8D	hub with contact ring Spider without TÜV	86-89	65,--
10	25-10	spacer, 1 cm high, more space for knees for wooden steering wheel	63-94	25,--
11	25-11	horn button with Alfa-Romeo emblem, enamelled metal	63-94	35,--
11A	25-11A	horn button with Alfa emblem, enamel. metal, for Nardi classico	63-94	55,--
13	25-13	horn button with Nardi emblem	63-94	98,--
14	25-14	hub cover with alfa emblem Ø 40	70-86	77,--
14A	25-14A	enamelled Alfa emblem 40 mm Ø for horn button	66-86	16,50
14B	25-14B	horn button, wood with Alfa-Romeo emblem, for pos.25-3	67-73	85,--
14C	25-14C	Alfa Romeo emblem gold coloured 40 mm Ø, for horn button	66-86	13,50
14D	25-14D	Alfa Romeo emblem silver coloured 40 mm Ø, for horn button	66-86	13,50
14E	25-14E	Hub cover	66-72	79,--
15	25-15	set of 3 synthetic inlays f. steering wheel spokes, 53 mm f. pos. 3 Hellebore	70-86	14,--
15A	25-15A	set of 3 synthetic inlays f. steering wheel spokes, 57 mm f. pos. 3A	70-86	16,--
16	25-16	external chrome cover ring for steering wheel center, Pos. 4,5,6,7		30,--



4



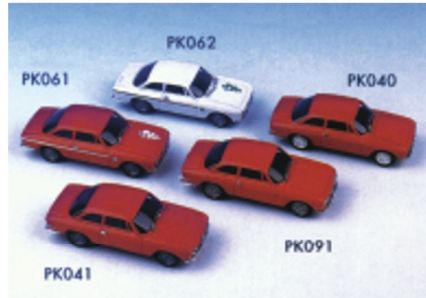
1

2



PK174

PK179



PK061

PK062

PK040

PK041

PK091



3



PK 172A

PK 172C

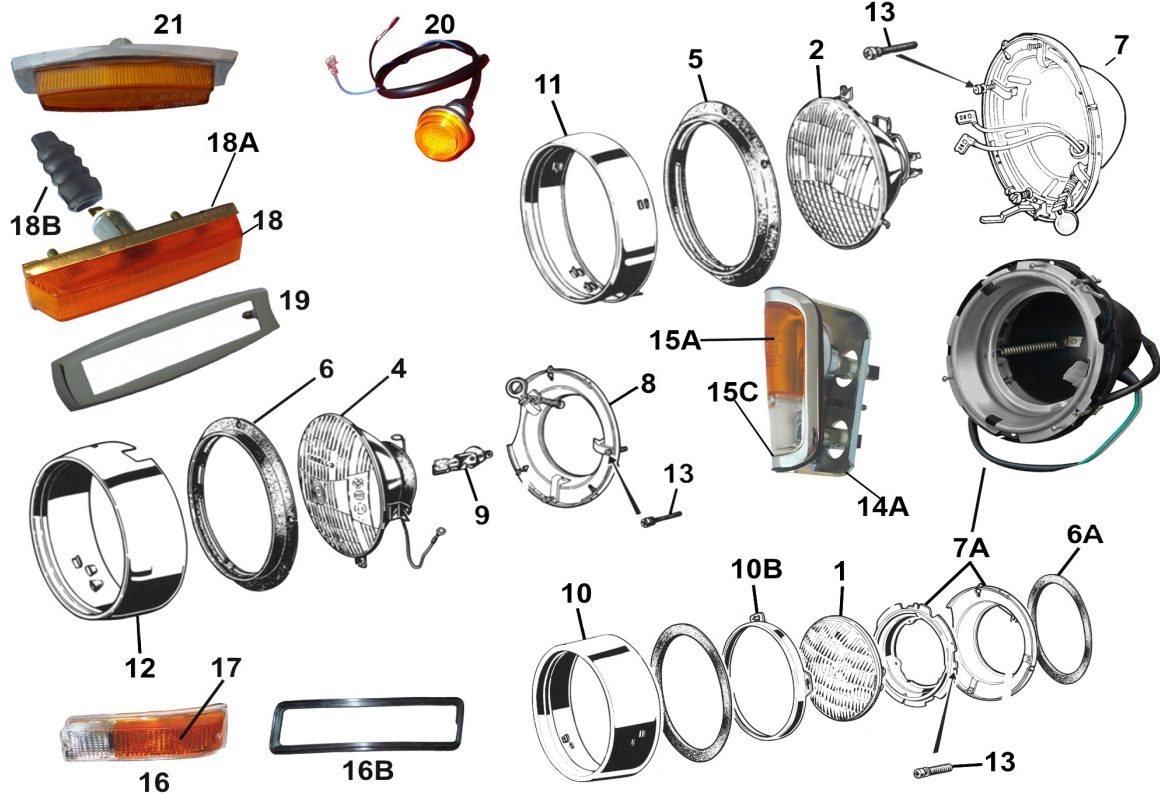


PK215

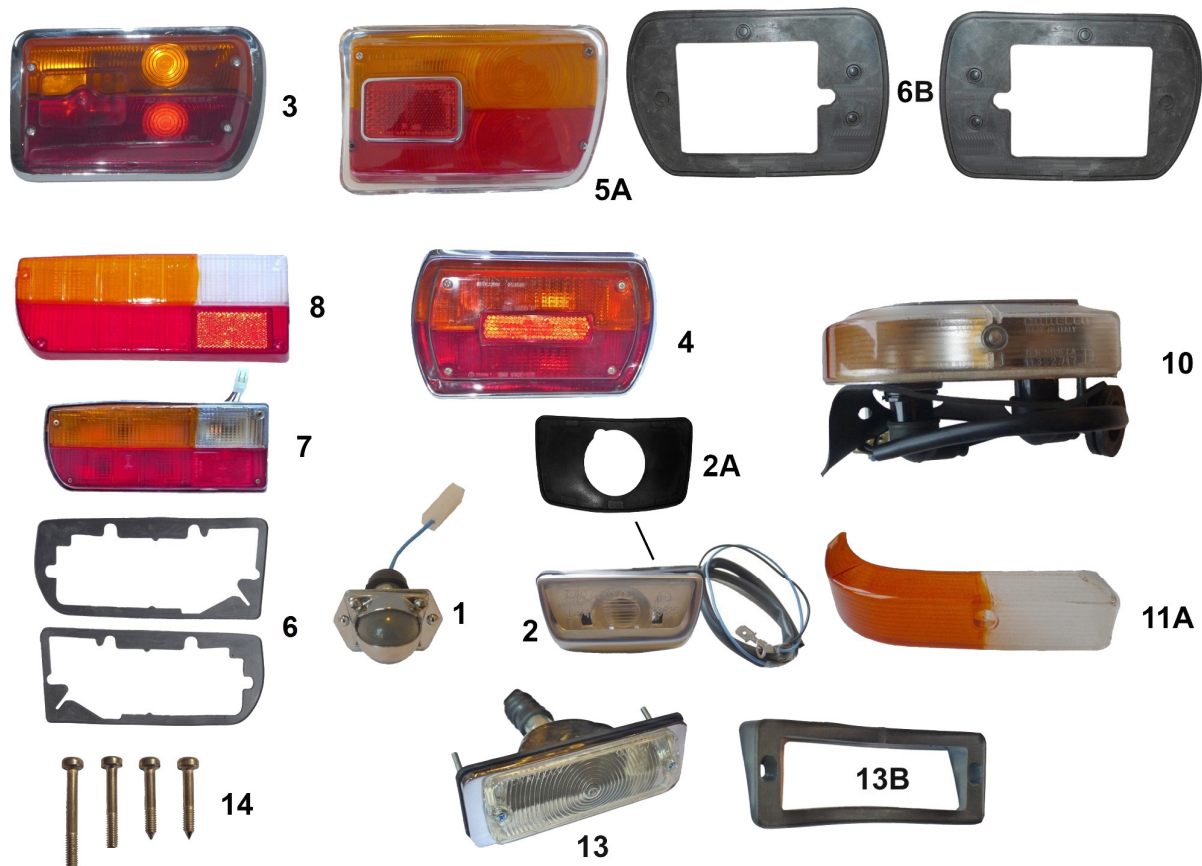
PK212

PK211

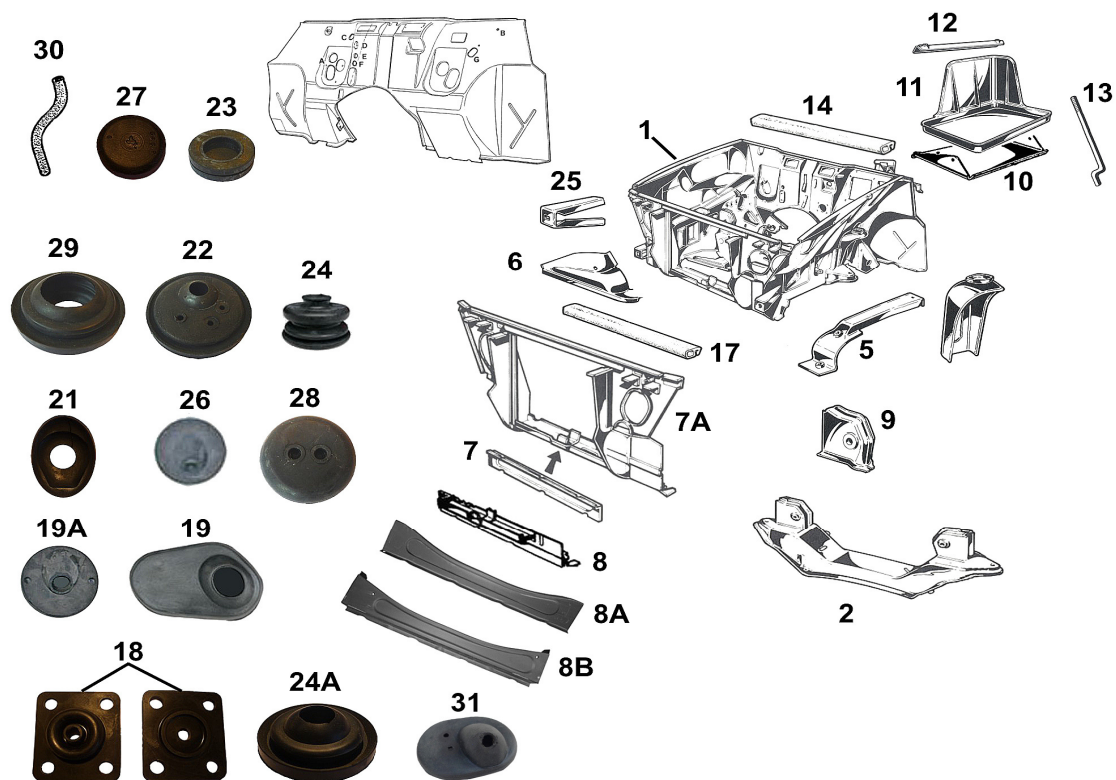
<u>Abb.</u>	<u>item-nr.</u>	<u>Description</u>	<u>Year</u>	<u>Price</u> €
1	26-1	model car, round rear end, red Spider 1:43		29,--
2	26-2	model car, Fastback Spider 1:43		35,--
3	26-3	model car 1:18, red	90-94	95,--
3A	26-3A	model car 1:18, black	90-94	85,--
3B	26-3B	model car 1:18, white	90-94	115,--
4	26-4	model car, Spider 1:43		29,--
5	26-5	model car Giulia, GT, GTA, indicate number		23,--



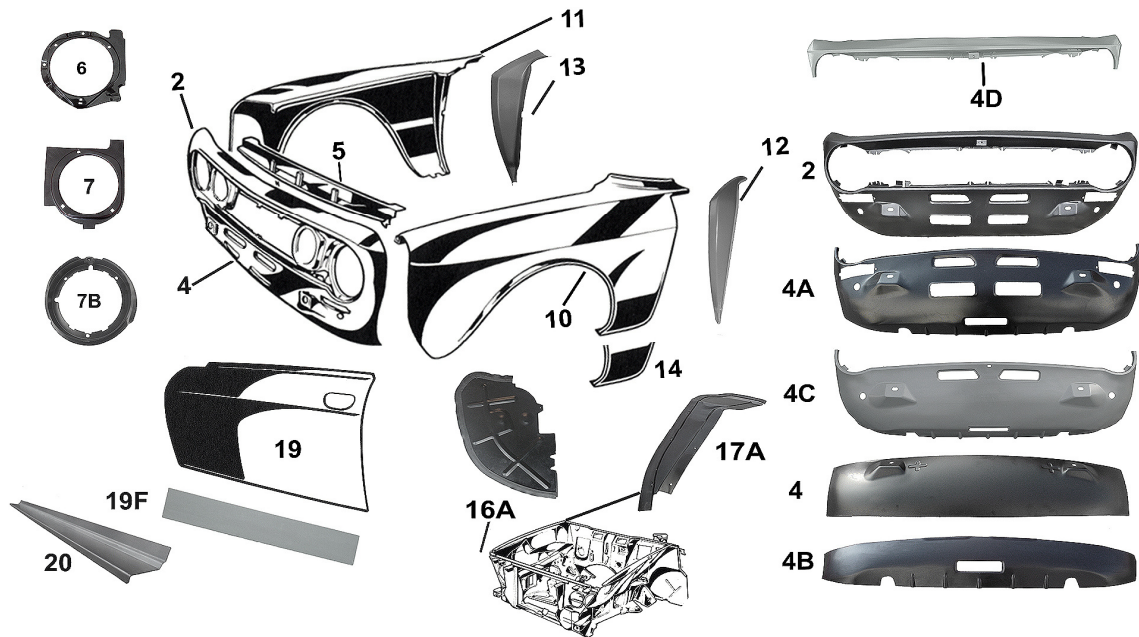
<u>picture</u>	<u>order nr.</u>	<u>Description</u>	<u>year of</u>	<u>price</u>
1	32-1	Bilux headlamp (Carello replica), ring mounting 11300/1600	63-74	49,--
2	32-2	headlight outside H4, 7" 1750 / 2000 LH or RH	65-77	49,90
2A	32-2A	Bilux outdoor spotlight with adjuster 1300 / 1600 /1750	63-74	89,--
3	32-3	Pull ring for headlamp, Giulia, GT	66-78	6,--
3A	32-3A	Plastic seat for headlamp + adjusting screws	66-78	5,50
3B	32-3B	Plastic seat short for headlamp + adjusting screws	66-78	4,--
3C	32-3C	Spring for headlight ring 101/105	54-78	3,--
4	32-4	headlight inside H1, 5 3/4" LH or RH 1750 / 2000	69-77	43,20
5	32-5	gasket rubber for headlight outside 1750/2000	69-77	16,--
6	32-6	gasket rubber for headlight inside 1750/2000	69-77	15,--
6A	32-6A	gasket rubber to body shell for headlight pot	63-74	13,--
7	32-7	headlight pot with wire for headlight outside 1750/2000	66-77	80,--
7A	32-7A	Headlight pot, external 1300 /1600	63-66	80,--
8	32-8	Headlight pot for inside headlight	69-77	55,--
9	32-9	H4 bulb	63-77	5,--
10	32-10	headlight ring (step nose) 1300/1600	63-74	108,--
10B	32-10B	holding ring for headlight	63-72	23,--
11	32-11	headlight outside with controller opening 1750/2000	68-77	100,--
12	32-12	headlight ring inside 1750/ 2000	68-77	95,--
13	32-13	adjusting screw for headlight	63-77	4,10
13A	32-13A	adjusting screw for headlight interior		4,--
14	32-14	set indicator in front white/yellow	63-69	295,--
14A	32-14A	set indicator in front white	63-69	295,--
15	32-15	indicator cap in front left white/yellow (step nose)	63-69	29,--
15A	32-15A	indicator cap in front right white/yellow (step nose)	63-69	29,--
15B	32-15B	set of indicator cap in front, white (step nose)	63-69	55,--
15C	32-15C	gasket white between glass and housing	63-69	10,--
15D	32-15D	gasket for turn signal housing to car body	63-69	11,--
16	32-16	indicator in front left 1300/1600/2000	70-77	100,--
16A	32-16A	indicator in front right 1300/1600/2000	70-77	100,--
16B	32-16B	gasket set for indicator glasses 1300/ 1600/ 2000/ GT	70-77	22,--
17	32-17	indicator glass left 1300/1600/2000, white/yellow	70-77	40,--
17A	32-17A	indicator glass right 2000, white/yellow	70-77	40,--
17B	32-17B	set of screws for turn signal cap, front 1300/1600/2000	70-77	3,70
17C	32-17C	set of indicator cap in front, white 1300/1600/2,0	70-77	80,--
18	32-18	indicator sideways, 1600 Sprint	63-69	27,--
18A	32-18A	gasket for indicator, 1600 Sprint	63-69	6,--
18B	32-18B	gasket for indicator, 1600 Sprint	63-69	9,--
19	32-19	frame for indicator sideways, 1600 Sprint	63-69	33,--
20	32-20	indicator sideways round w. chrome-frame, GT Montreal	69-77	29,--
21	32-21	indicator sideways, GT 2. Series	65-69	50,--



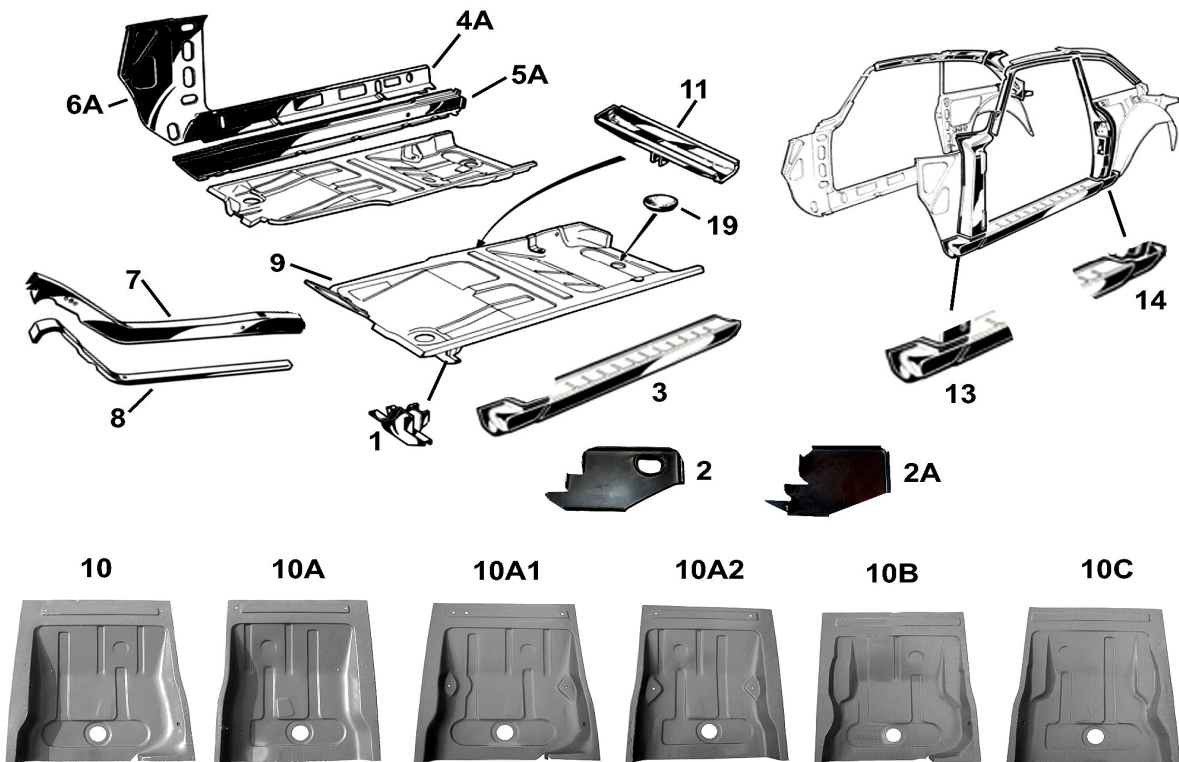
<u>picture</u>	<u>order nr.</u>	<u>description</u>	year of manufacture	price €
1	33-1	license number lighting (GTA) 1300/1600/1750/ 1. series	63-69	85,--
1A	33-1A	bracket for license number lighting	63-69	68,--
2	33-2	license number lighting, Carello	70-77	38,--
2A	33-2A	joint f. license number lighting	70-77	6,--
3	33-3	kit rear light, (step front) / 1. series, metal housing	63-67	690,--
3B	33-3B	kit rear light glass	63-67	260,--
4	33-4	kit rear light, 1. series, 1750 metal housing	67-69	690,--
4B	33-4B	set rear light cap, 1750, 1. series	67-69	199,--
5	33-5	kit rear light 1300/1600/1750	67-73	399,--
5A	33-5A	rear light right 1300/1600/1750	67-73	210,--
5B	33-5B	rear light left 1300/1600/1750	67-73	210,--
5D	33-5D	rear light cap, left, 2. series 1300-1750	67-73	90,--
5E	33-5E	rear light cap, right, 2. series 1300 (1750 since 70)	67-73	90,--
6	33-6	gasket set for rear lights 1300/1600/1750/2000	72-77	30,--
6A	33-6A	set of rear light rubber 1300/1600/1750	67-73	30,--
6B	33-6B	set of rear light rubber 1750, 1. series	67-69	35,--
6C	33-6C	left rear light housing 1300/1600/1750 2. Series		115,--
6D	33-6D	right rear light housing 1300/1600/1750 2. Series		115,--
7	33-7	kit rear light left 2000, Altissimo	70-77	600,--
8	33-8	rear light cap left 2000	70-77	137,--
8A	33-8A	rear light cap right 2000	70-77	137,--
9	33-9	bulb for rear light	63-77	1,--
10	33-10	set indicator in front on bumper 1750 / 1. Series	67-69	400,--
11	33-11	indicator cap in front left for pos. 33-10	67-69	42,--
11A	33-11A	indicator cap in front right for 33-10a	67-69	42,--
13	33-13	back up light	64-69	90,--
13A	33-13A	back up light cap, Carello	64-69	30,--
13B	33-13B	base gasket for 33-13	64-69	19,50
14	33-14	screw set for rear lights cap	67-73	7,--
15	33-15	spacer piece for back up light, GT, Bertone	64-69	19,--
16	33-16	reflector 1300 / 1600 / 1750	67-73	30,--



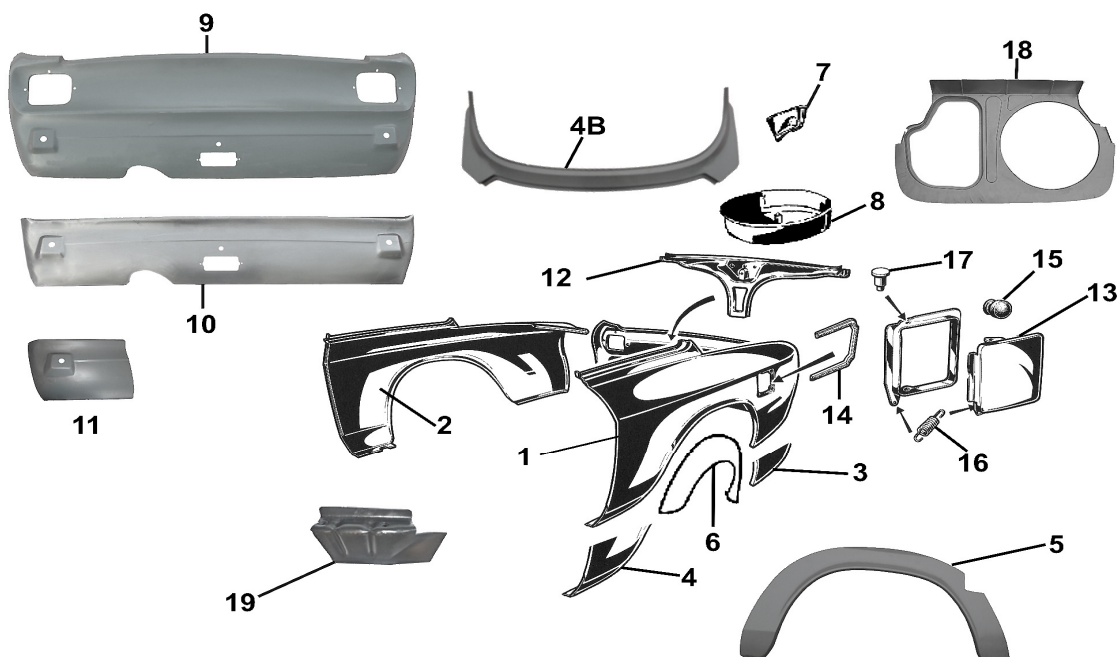
<u>picture</u>	<u>order nr.</u>	<u>description</u>	<u>year of manufacture</u>	<u>price €</u>
1	34-1	wind deflector	63-77	219,--
2	34-2	engine mount	63-77	750,--
5	34-5	connection plate for engine side panel, left	63-77	32,--
5A	34-5A	connection plate for engine side panel, right	63-77	32,--
6	34-6	extension, in front, left	63-77	49,--
6A	34-6A	extension, in front, right	63-77	49,--
7	34-7	lower traverse, rear, upper part radiator box	70-77	51,--
7A	34-7A	air radiator box	70-77	265,--
8	34-8	lower traverse, radiator box	70-77	39,50
8A	34-8A	lower cross member radiator rear	63-69	54,--
8B	34-8B	lower cross member radiator rear, u profile	63-69	84,--
9	34-9	seating of upper transverse control arm	63-77	73,--
10	34-10	retaining plate for battery	70-77	39,--
10A	34-10A	retaining plate for battery 1. Series	66-69	158,--
11	34-11	plastic tray for battery	63-77	35,90
12	34-12	fastening angle for battery	63-77	16,50
13	34-13	fastening rod for battery	63-77	9,--
13A	34-13A	wing nut for fixation angle for battery	66-94	1,30
14	34-14	gasket cowl	63-77	14,90
14A	34-14A	gasket between body and air grill for wiper cover	63-77	14,--
14B	34-14B	gasket cowl, Montreal	70-77	35,--
17	34-17	gasket on radiator box, atop	63-77	10,30
18	34-18	lead-through rubber accelerator pedal	63-77	6,90
19	34-19	lead-through rubber for steering rod, cowl, standing pedals	63-70	45,--
19A	34-19A	lead-through rubber for steering rod	70-77	45,--
21	34-21	lead-trough rubber for wiring harness	63-77	6,--
22	34-22	lead-trough f. heating hose, speed indicator shaft, carburetor control cable	69-77	15,--
23	34-23	lead-through rubber for brake pipe	63-77	3,--
24	34-24	lead-through rubber for heating tube	63-69	15,--
24A	34-24A	lead through rubber for heating tube	70-94	6,--
25	34-25	bumper seating RH or LH	63-77	30,--
26	34-26	lead-through rubber for tachometer shaft 1300/1750	63-69	14,--
27	34-27	square plug	63-78	1,20
28	34-28	grommet rubber for cable rear bumper	63-77	13,--
29	34-29	grommet rubber for wash water hose	69-77	6,--
29A	34-29A	grommet rubber for wash water hose	63-68	6,--
30	34-30	wash water hose for wiper box	63-77	24,--
31	34-31	Lead through rubber for tachometer shaft/ accelerator cable/ choke linkage	63-69	16,--



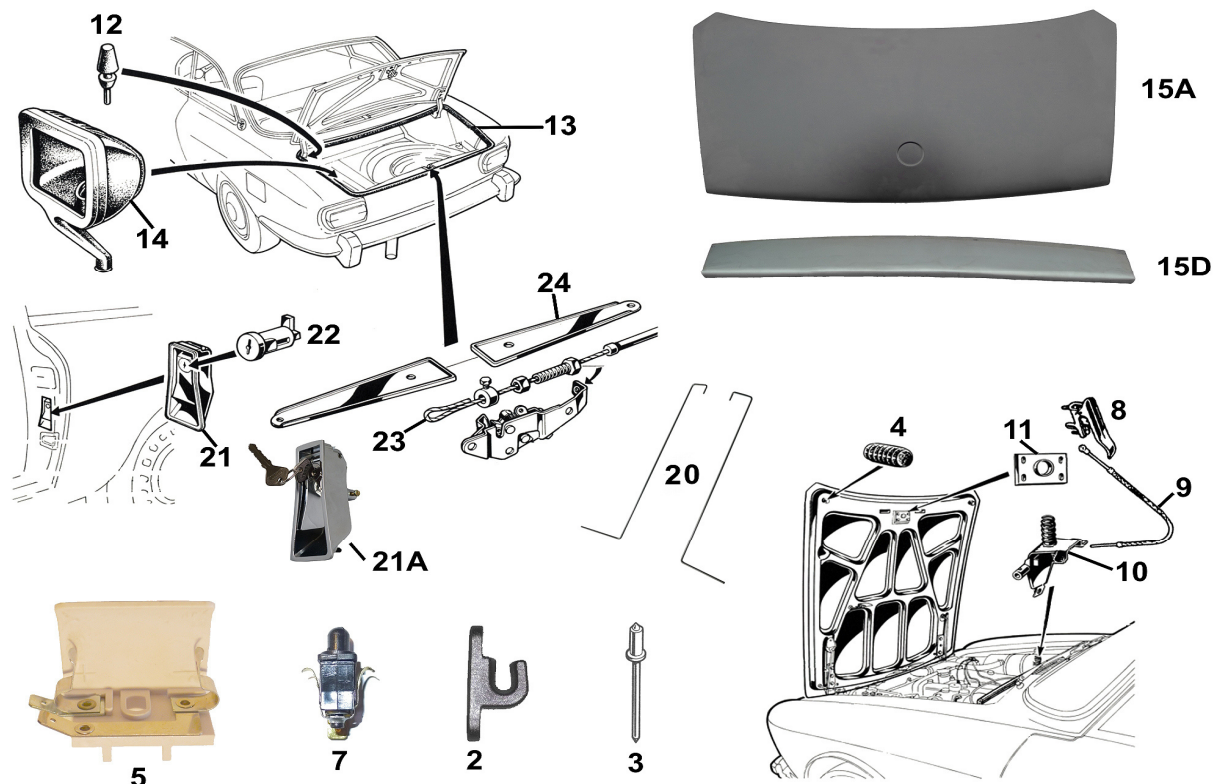
<u>picture</u>	<u>order nr.</u>	<u>description</u>	year of manufacture	price €
1	35-1	front plate (step front)	63-69	895,--
1	35-1A	front plate (step front), Aluminium	63-69	985,--
2	35-2	front plate	70-77	664,--
4	35-4	lower front plate step front 63-70	63-70	195,--
4A	35-4A	lower front plate, 2000 GTV, since '74	>74	349,--
4B	35-4B	repair plate, front plate, lower 19 cm high	63-77	160,--
4C	35-4C	lower front plate, 1750 1. Series		349,--
4D	35-4D	Upper front plate	70-77	225,--
5	35-5	bracket for front plate, atop	70-77	175,--
5A	35-5A	Carrier for front panel inside top 1. Series	63-70	389,--
6	35-6	bracket for headlight outside, left	70-77	24,--
6A	35-6A	bracket for headlight outside, right	70-77	24,--
7	35-7	bracket for headlight inside, left	70-77	24,--
7A	35-7A	bracket for headlight inside, right	70-77	24,--
7B	35-7B	bracket for headlight left step front	63-70	108,--
7C	35-7C	bracket for headlight right step front	63-70	108,--
8	35-8	mudguard in front left (step front)	63-70	729,--
8A	35-8A	mudguard in front left (step front) alloy	63-69	1050,--
9	35-9	mudguard in front right (step front)	63-70	729,--
9A	35-9A	mudguard in front right (step front) alloy	63-69	1050,--
10	35-10	mudguard in front, left	70-77	689,--
11	35-11	mudguard in front, right	70-77	689,--
12	35-12	connection sheet for mudguard left 4-pillar	63-77	105,--
13	35-13	connection sheet for mudguard right 4-pillar	63-77	105,--
14	35-14	mudguard repair plate, a- pillar, left, 32cm high	63-77	49,--
15	35-15	mudguard repair plate, a- pillar, right, 32cm high	63-77	49,--
16	35-16	splash guard (alloy) in front, left	63-77	56,--
16A	35-16A	splash guard (alloy) in front, right	63-77	56,--
17	35-17	splash guard (alloy) rear, left	63-77	46,--
17A	35-17A	splash guard (alloy) rear, right	63-77	46,--
19	35-19	door body shell, GT, Bertone left	63-77	205,--
19A	35-19A	door body shell, GT, Bertone right	63-77	205,--
19B	35-19B	door body shell, (alloy) GT, Bertone left	63-77	289,--
19C	35-19C	door body shell, (alloy) GT, Bertone right	63-77	289,--
19D	35-19D	door body shell, (alloy) without hole door handle GTA, Bertone LH	63-77	299,--
19E	35-19E	door body shell, (alloy) without hole door handle GTA, Bertone LH	63-77	299,--
19F	35-19F	door body shell, repair sheet metal GT, Bertone LH	63-77	39,--
19G	35-19G	door body shell, repair sheet metal GT, Bertone RH	63-77	39,--
20	35-20	door bottom LH or RH, GT Bertone	63-77	25,50
21	35-21	left repair plate for door bottom , orig. form, GT, Bertone	63-77	219,--
21A	35-21A	right repair plate for door bottom , orig. form, GT, Bertone	63-77	219,--



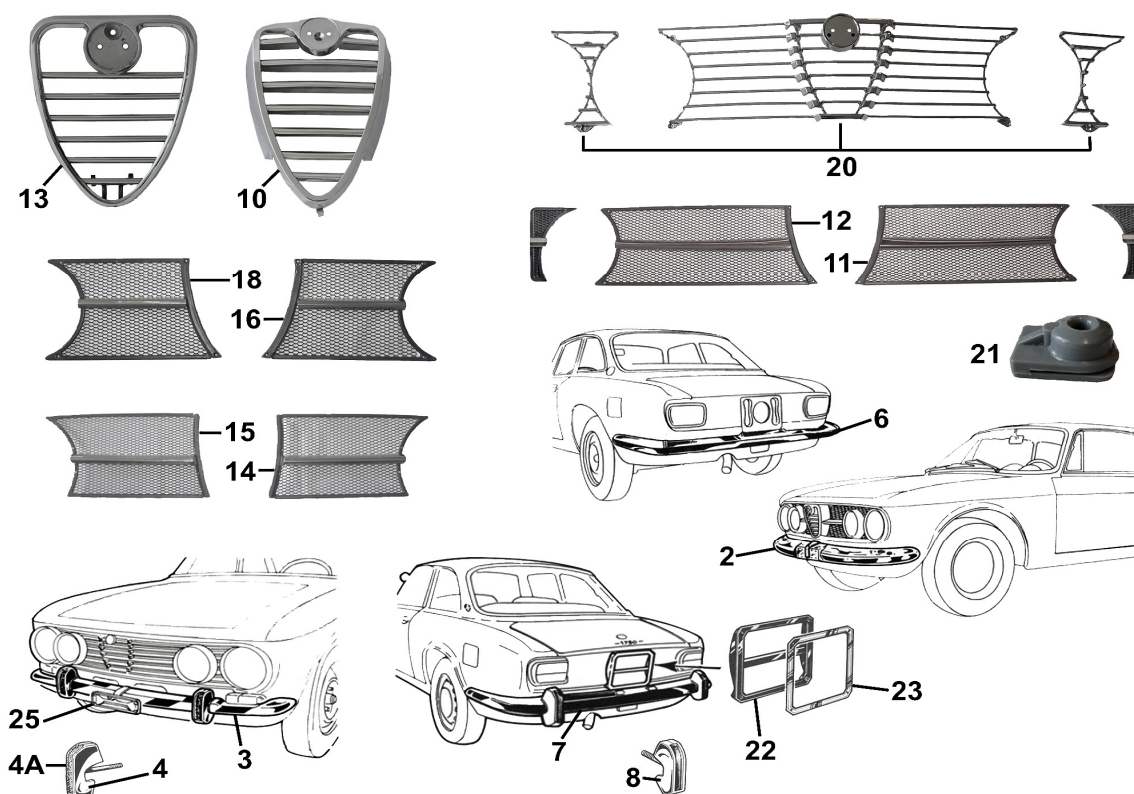
<u>picture</u>	<u>order nr.</u>	<u>description</u>	year of manufacture	price €
1	36-1	car-jack seating, in front, right or left	63-77	25,--
2	36-2	car-jack seating, rear right or left	63-69	49,--
2A	36-2A	car-jack seating, rear right or left	70-77	45,--
3	36-3	outer sillboard, left	63-77	139,--
3A	36-3A	outer sillboard, right	63-77	139,--
4	36-4	middle sillboard, left	63-77	134,--
4A	36-4A	middle sillboard, right	63-77	134,--
5	36-5	inner sillboard left	63-77	210,--
5A	36-5A	inner sillboard right	63-77	210,--
6	36-6	intermediate plate, middle sillboard, in front left	63-77	75,--
6A	36-6A	intermediate plate, middle sillboard, in front right	63-77	75,--
7	36-7	main chassis beam, left	63-77	118,--
7A	36-7A	main chassis beam, right	63-77	118,--
8	36-8	covering for main chassis beam left	63-77	95,--
8A	36-8A	covering for main chassis beam right	63-77	95,--
9	36-9	bottom plate in front left, for standing pedals	63-70	149,--
9A	36-9A	bottom plate in front left, for hanging pedals	70-77	149,--
9B	36-9B	bottom plate in front right	63-77	149,--
9C	36-9C	set floor panel, alu reinforced front + rear, standing pedals	63-70	1250,--
10	36-10	bottom plate, rear, left	63-71	189,--
10A	36-10A	bottom plate, rear, right	63-74	189,--
10A1	36-10A1	left floor panel, rear, GT, Bertone 2. series	70-74	210,--
10A2	36-10A2	right floor panel, rear, GT, Bertone 2. series	70-74	195,--
10B	36-10B	bottom plate, rear, left	74-77	210,--
10C	36-10C	bottom plate, rear, right	74-77	210,--
11	36-11	traverse member left	63-77	121,--
12	36-12	traverse member right	63-77	121,--
13	36-13	lower replacement part for inner a-pillar LH GT, Bertone	63-77	89,--
13A	36-13A	lower replacement part for inner a-pillar RH GT, Bertone	63-77	89,--
14	36-14	lower replacement part for inner b-pillar LH	63-77	95,--
14A	36-14A	lower replacement part for inner b-pillar RH	63-77	95,--
15	36-15	floor for rear seat bench	63-78	225,--
16	36-16	pedal plate GT, standing pedals	63-70	79,--
17	36-17	reinforcement plate cross member/axle mount rear		26,--
19	36-19	rubber stopper for floor panel or spare wheel tray	63-77	4,--



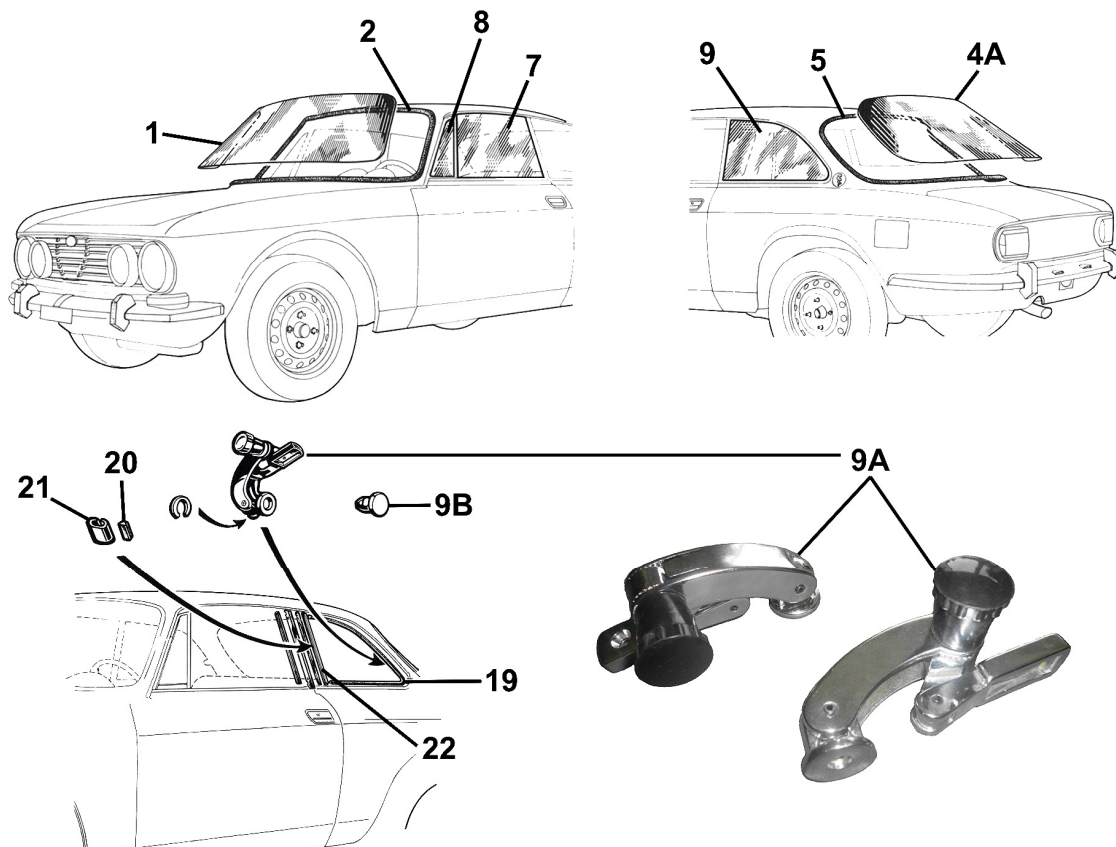
<u>picture</u>	<u>order nr.</u>	<u>description</u>	<u>year of manufacture</u>	<u>price €</u>
1	37-1	mudguard rear, left, with bigger wheel arch, (15" wheels)	64-66	789,--
1A	37-1A	mudguard rear left	67-77	809,--
1B	37-1B	mudguard rear left aluminium	67-77	1080,--
1C	37-1C	mudguard half rear, left, GT	68-77	289,--
2	37-2	mudguard rear right with bigger wheel arch (15" wheels)	64-66	789,--
2A	37-2A	mudguard rear, right	67-77	809,--
2B	37-2B	mudguard rear, right, aluminium	67-77	1080,--
2C	37-2C	mudguard half rear, right, GT	68-77	289,--
3	37-3	mudguard repair plate, rear, left, 23 cm high	63-77	35,--
3A	37-3A	mudguard repair plate, rear, right, 23 cm high	63-77	35,--
4	37-4	mudguard repair plate in front, b-pillar left, 32 cm high	63-77	44,--
4A	37-4A	mudguard repair plate in front, b-pillar right, 32 cm high	63-77	44,--
4B	37-4B	lower collet plate for rear window	63-77	215,--
4C	37-4C	lower collet plate in alloy for rear window	63-77	275,--
4D	37-4D	repair plate for rear mudguard, left above under side window	63-77	79,--
4E	37-4E	repair plate f. rear mudguard, right above under side window	63-77	79,--
5	37-5	wheel arch repair plate, rear, left	65-77	87,--
5A	37-5A	wheel arch repair plate, rear, right	65-77	87,--
6	37-6	wheel arch outside, left	63-77	186,--
6A	37-6A	wheel arch outside, right	63-77	186,--
7	37-7	connection plate mudguard / boot floor right	63-77	55,--
8	37-8	spare wheel tray	63-77	125,--
9	37-9	rear plate (for small rear lights) 1300/1750	63-74	478,--
9A	37-9A	rear plate (for big rear lights) 1300/1600/1750/2000	71-77	460,--
9B	37-9B	rear plate aluminium	63-73	609,--
9C	37-9C	rear plate aluminium 2.0	73-77	590,--
10	37-10	rear sheet metal, bottom line, 21cm high, with back up light seating	63-74	189,--
10A	37-10A	rear sheet metal, bottom line, 21 cm high, without back up light seat.	71-77	189,--
10B	37-10B	rear sheet metal, bottom line, 21 cm high, with back up light seating, alu	63-74	259,--
10C	37-10C	rear sheet metal, bottom line, 21 cm high, without back up light seating, alu	71-77	249,--
11	37-11	repair plate for rear sheet metal, left	63-77	31,--
11A	37-11A	repair plate for rear sheet metal, right	63-77	31,--
12	37-12	interior bracing for rear end plate	63-77	199,--
13	37-13	flap	63-77	89,--
13A	37-13A	metal frame for flap, GT, GTV, Giulia, Berlina, Zagato	63-79	69,--
14	37-14	gasket frame for tank shutter	63-77	9,50
15	37-15	stopper gum for tank shutter	63-77	4,50
16	37-16	spring for tank shutter	63-77	4,30
17	37-17	blank for tank shutter	63-77	3,90
18	37-18	boot floor	63-77	269,--
18A	37-18A	stiffening plate f. boot floor, GT, Giulia	63-77	49,--
19	37-19	collet for rubber stop, rear, left	63-77	38,--
19A	37-19A	collet for rubber stop, rear, right	63-77	38,--
20	37-20	retaining plate f. exhaust under luggage	63-94	14,--
21	37-21	mounting for rear left bumper		16,50
22	37-21	mounting for rear right bumper		16,50



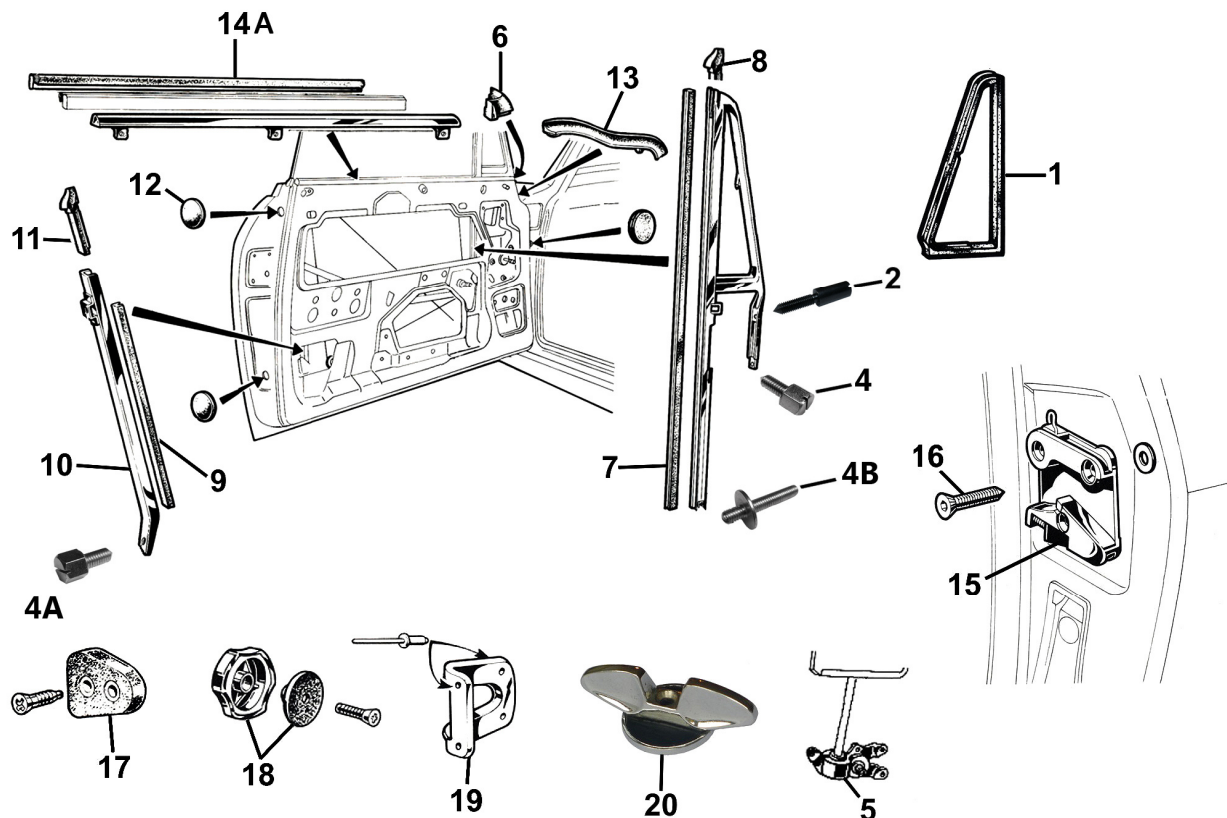
<u>picture</u>	<u>order nr.</u>	<u>description</u>	year of manufacture	price €
1	38-1	bonnet	70-77	1000,--
1A	38-1A	Bonnet, step nose, repro	64-69	789,--
1B	38-1B	screw for engine hood hinge	63-77	3,60
2	38-2	bracket for engine bonnet	63-77	18,--
2A	38-2A	angle bracket support bonnet 2. Series	70-77	9,50
3	38-3	rivet for engine bonnet bracket	63-77	3,--
4	38-4	stopper gum for engine bonnet	69-77	4,--
4A	38-4A	stopper gum for engine bonnet, 1. Series	63-70	4,50
5	38-5	lighting f. glove box, engine or rear bonnet	63-77	25,--
6	38-6	bulb for engine compartment – or engine bonnet lighting	63-77	2,10
7	38-7	touch sensitive switch f. Engine-, motor bonnet or glove box light	63-77	10,--
8	38-8	lever for engine bonnet release	63-77	49,--
9	38-9	linkage for engine bonnet opening, complete	63-77	19,--
10	38-10	bonnet locking	63-77	68,--
10A	38-10A	set of springs for bonnet lock	63-77	14,--
11	38-11	counter piece for bonnet locking	63-77	29,--
12	38-12	rubber stop for luggage boot	63-77	6,70
13	38-13	gasket for luggage boot, on the frame	70-77	25,--
13A	38-13A	gasket for luggage boot, on the cap	63-69	45,--
14	38-14	rubber sleeve for tank connection, GT, Zagato	63-77	54,--
14A	38-14A	rubber collar for tank connection, Montreal	70-77	63,--
15	38-15	boot lid, alloy, without emblem collet	63-69	679,--
15A	38-15A	boot lid, alloy, model with emblem	70-77	679,--
15B	38-15B	boot lid, metal model without emblem	63-69	390,--
15C	38-15C	boot lid, metal model with emblem	70-77	390,--
15D	38-15D	repair plate for boot lid, 15 cm	63-77	89,--
20	38-20	set of springs for boot lid		75,--
21	38-21	lever for boot opening (also for Montreal)	63-77	52,--
21A	38-21A	chromed lever for boot opening, with keys	63-77	91,--
22	38-22	key cylinder for luggage boot belt buckle	63-77	39,--
23	38-23	linkage for boot opening, complete	63-77	17,90
24	38-24	set of high-grade steel ledge for luggage boot	63-77	65,90



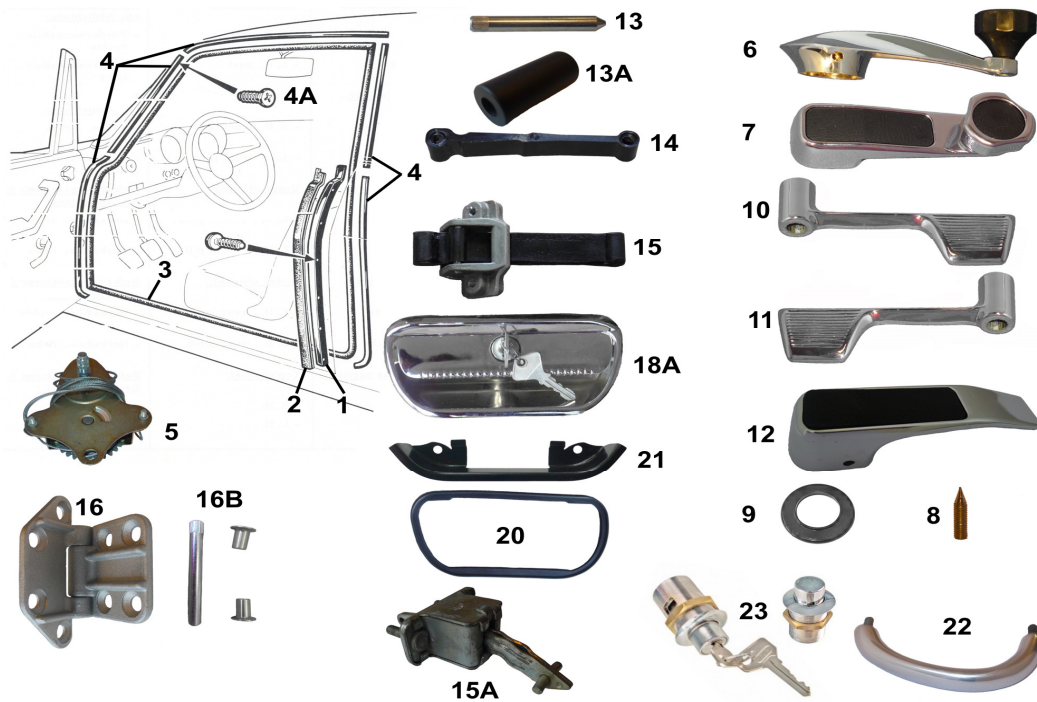
<u>picture</u>	<u>order nr.</u>	<u>description</u>	<u>year of manufacture</u>	<u>price €</u>
1	39-1	bumper in front (step front)	63-69	1080,--
2	39-2	bumper in front 1750, 1. series	68-70	1080,--
3	39-3	bumper in front complete with horns	70-77	895,--
3A	39-3A	bumper in front, without horns GT1300/1600	70-77	795,--
3B	39-3B	connecting piece for front bumper	70-77	38,--
3C	39-3C	kit connecting pieces for rear bumper, 1. Series		95,--
3D	39-3D	kit connecting pieces for rear bumper, 2. Series		120,--
4	39-4	Bumper horn in front right or left	70-77	83,--
4A	39-4A	rubber profile on bumper, front or rear	70-77	26,--
4B	39-4B	rubber profile between horn and bumper	70-77	4,--
5	39-5	screw for bumper in front, version with horn		19,50
5A	39-5A	screw for bumper in front, version without horn		14,90
5B	39-5B	set of spacers for front bumper	70-77	59,--
5C	39-5C	set of spacers for rear bumper	70-77	59,--
6	39-6	bumper rear (step front) 1300/1600/1750 1. Series	63-67	1080,--
7	39-7	bumper rear complete	70-77	895,--
7A	39-7A	bumper rear, without horns GT1300/1600	70-77	795,--
8	39-8	bumper horn rear, right or left	70-77	99,--
10	39-10	radiator grill middle, (step front)	63-69	295,--
10A	39-10A	radiator grill middle, without cross brace	63-69	190,--
11	39-11	radiator grill grid left (step front)	63-69	172,--
12	39-12	radiator grill grid right (step front)	63-69	172,--
13	39-13	radiator grill middle 1300/1600/1750	ab 69	295,--
14	39-14	radiator grill grid left 1750	ab 68	126,--
15	39-15	radiator grill grid right 1750	ab 68	126,--
15A	39-15A	set radiator grill outside small 1750	68-70	58,--
16	39-16	radiator grill grid left, small 1300/1600	70-74	105,--
18	39-18	radiator grill grid right 1300/1600	70-74	105,--
19	39-19	radiator grill grid right, small 1300/1600/1750	ab 70	45,--
20	39-20	radiator grill, complete, 2000, 3 parts	70-79	345,--
20A	39-20A	central radiator grill grid, GTA		380,--
20B	39-20B	series radiator grill grid, 5 pieces, GTA		450,--
21	39-21	fixation spout for radiator grill 1750/2000	70-79	3,--
22	39-22	license number bracket, plastic rear	70-77	49,--
22A	39-22A	license number bracket, alloy rear	70-77	63,--
22B	39-22B	license number bracket, stainless steel	64-70	140,--
23	39-23	chrome frame for license number bracket, rear	63-77	16,--
25	39-25	license number bracket, in front	63-77	59,--



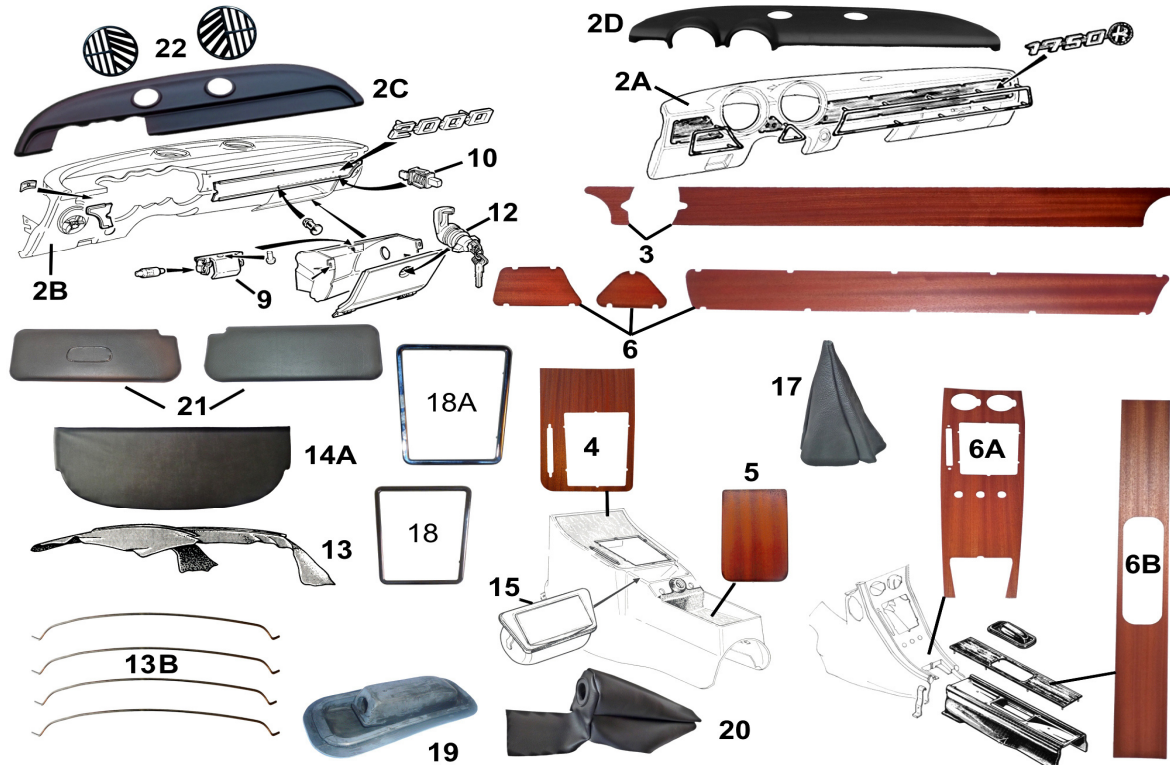
picture	order nr.	description	year of manufacture	price €
1	310-1	windscreen clear	63-77	376,--
1A	310-1A	windscreen toned, green	63-77	432,--
1B	310-1B	green windscreen with green wedge	63-77	460,--
1C	310-1C	windscreen toned, clear, 50 % lighter	63-77	595,--
2	310-2	gasket windscreen	63-75	87,--
2A	310-2A	sealing compound for pane (cartridge 310 ml)	63-99	18,30
2C	310-2C	set chrome trim for windscreen, 2 pieces, GT, Bertone	63-77	255,--
3	310-3	chrome blind for windscreen	63-77	19,50
4	310-4	rear window clear, heatable	63-73	375,--
4A	310-4A	rear window toned, green, heatable	63-77	404,--
5	310-5	gasket rear window	63-77	83,--
5B	310-5B	set chrome trim for rear window 2 pieces, GT, Bertone	63-77	255,--
6	310-6	weather-strip chrome, plastics, right or left	63-77	30,--
7	310-7	door pane	63-77	160,--
7C	310-7C	door pane green	63-77	110,--
8	310-8	triangular pane, toned	63-77	59,--
8A	310-8A	triangular pane, clear	63-77	59,--
9	310-9	hinged window rear, green	63-77	112,--
9A	310-9A	set locking for rear hinged window	63-77	149,--
9A1	310-9A1	rear hinged windows clear	66-77	112,--
9B	310-9B	fixation plate for locking mechanism hinged window	63-77	13,--
9C	310-9C	locking for left hinged window	63-77	74,--
9D	310-9D	locking for right hinged window	63-77	74,--
10	310-10	set (4) rubber base for barring hinged window	63-77	9,50
19	310-19	gasket for window (to open with hinge) right or left	63-77	29,--
20	310-20	retaining rubber, front, for rear hinged window	63-77	4,--
21	310-21	connection clip for above position 310-20	63-77	4,50
22	310-22	gasket vertical for hinged window, rear or front / left or right	66-77	18,50
24	310-24	material folding top GTC Cabriole	63-72	900,--



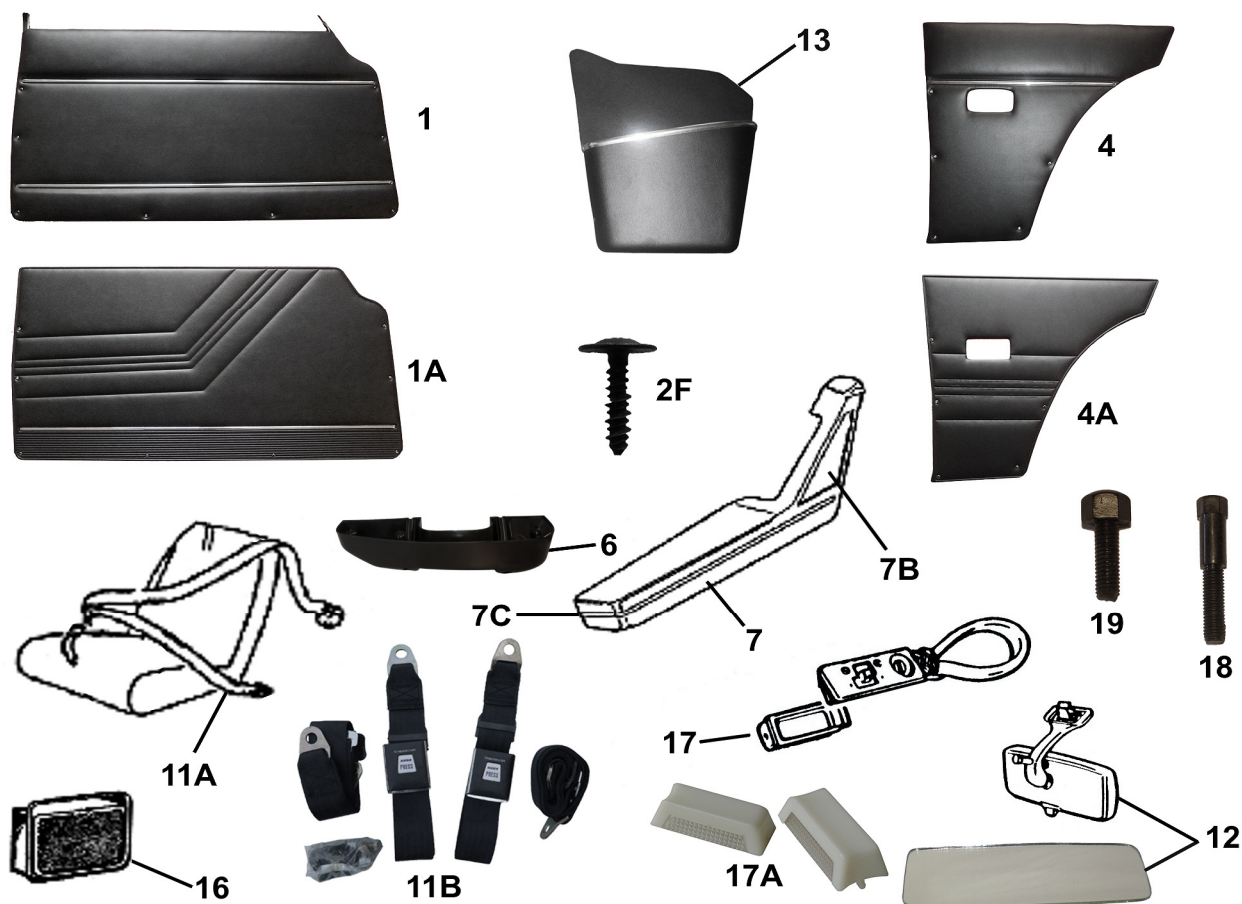
<u>picture</u>	<u>order nr.</u>	<u>description</u>	year of manufacture	price €
1	311-1	set of gasket triangular pane, in front right + left	63-77	145,--
2	311-2	long fixing screw for triangular pane	63-77	8,90
4	311-4	Fixing screw for front triangular disc frame	63-77	8,10
4A	311-4A	Fixing screw cross for front triangular disc frame middle	63-77	8,10
4B	311-4B	Adjusting screw for triangular disc frame	63-77	17,--
5	311-5	turn mechanism for triangular window, left, GT, Montreal	63-77	80,--
5A	311-5A	turn mechanism f. triangular window, right, GT, Montreal	63-77	80,--
6	311-6	rubber cap for door, left	63-77	9,50
6A	311-6A	rubber cap for door, right	63-77	9,50
7	311-7	rubber window guide track, in front, GT, Zagato, Montreal	63-77	8,--
8	311-8	end cap for window guide in front, left	63-77	9,--
8A	311-8A	end cap for window guide in front, right	63-77	9,--
9	311-9	window guide rear, GT, Montreal, Zagato	63-77	6,--
10	311-10	kit window guide track rear, left	63-77	43,--
10A	311-10A	kit window guide track rear, right	63-77	43,--
11	311-11	end cap for window guide track, rear, left	63-77	13,50
11A	311-11A	end cap for window guide track, rear, right	63-77	13,50
12	311-12	rubber stopper for door	63-77	4,--
13	311-13	gasket rubber on door, in front, left	63-77	10,--
13A	311-13A	gasket rubber on door, in front, right	63-77	10,--
14A	311-14A	gasket for strip window slot inside or outside	63-77	14,75
14B	311-14B	lower gasket 1 m, between chrome strip + auto body	63-77	7,--
15	311-15	collet belt buckle, B-pillar, left	63-77	79,--
15A	311-15A	collet belt buckle, B-pillar, right	63-77	79,--
16	311-16	fixation screw for above position	63-77	2,--
17	311-17	stopper gum on door left or right	63-77	11,--
18	311-18	rotation crank f. triangular window, left or right	68-77	49,--
19	311-19	guide for door, on B-pillar, GT, Giulia, Berlina	63-77	25,90
20	311-20	rotation crank f. triangular window, left or right	70-77	29,--



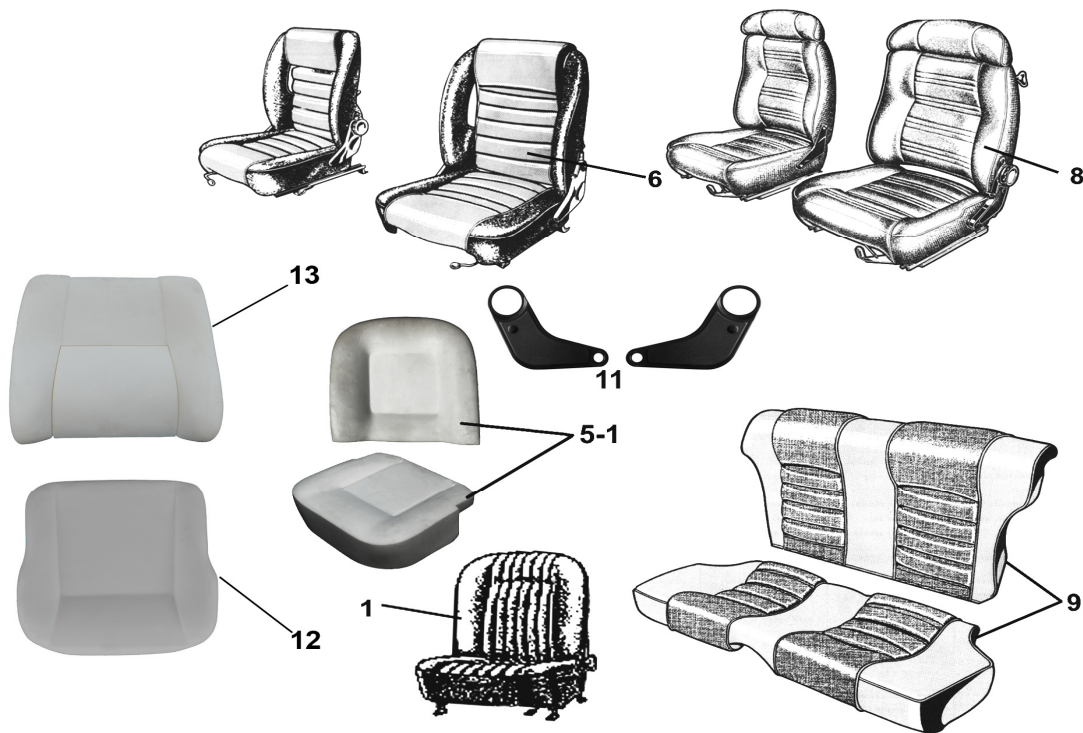
<u>picture</u>	<u>order nr.</u>	<u>description</u>	year of manufacture	price €
1	312-1	gasket on b-pillar, left or right	63-77	14,--
2A	312-2A	set fixation profile stainless steel for gasket	63-77	65,--
2B	312-2B	set (12) fixation screw for gasket profile	63-77	6,--
3	312-3	gasket door left (soft profile)	63-77	69,--
3A	312-3A	gasket door right (soft profile)	63-77	69,--
4	312-4	set fixation bar for gasket door, alumin. Left and right, GT	63-77	119,--
4A	312-4A	fixation screws (52 pieces) for Pos. 312-4	63-77	10,--
5	312-5	linkage for window, left	67-77	65,--
5A	312-5A	linkage for window, right	67-77	65,--
6	312-6	window crank chrome	63-69	35,--
7	312-7	window crank with plastic inlay	70-77	23,--
8	312-8	fixation screw for window crank handle or door opener	70-77	3,50
9	312-9	underlay black for window crank or door opener	70-77	4,--
10	312-10	door opener, chrome left	63-73	24,50
11	312-11	door opener, chrome right	63-73	24,50
12	312-12	door opener chrome with plastic inlay	71-94	25,--
13	312-13	cotter for door catch strap, GT, Montreal	70-77	2,70
13A	312-13A	plastic roller for door catch strap	66-94	2,50
14	312-14	repair set for door catch strap, GT, Montreal	63-77	30,--
15	312-15	door catch strap, GT, Montreal	63-75	60,--
15A	312-15A	door catch strap, GT, Bertone 2. Series		68,--
15B	312-15B	Clamp sleeve 2. Series		1,80
16	312-16	door articulation atop, left, 1. series		95,--
16A1	312-16A1	door articulation atop, right, left, 1. series		95,--
16A2	312-16A2	door articulation atop, left, 2. series		95,--
16-A3	312-16A3	door articulation atop, right, 2. series		95,--
16A	312-16A	lower door articulation, right or left	63-77	49,--
16B	312-16B	repairing set for door articulation (3 pieces)	63-77	14,50
17	312-17	fixation screw for door articulation	63-77	1,90
18	312-18	set door handles with belt buckle, left	63-77	315,--
18A	312-18A	door handle with belt buckle, right	63-77	159,--
18B	312-18B	door handle with belt buckle, left	63-77	159,--
18C	312-18C	set of locking cylinders for doors, keyed alike		65,--
19	312-19	blank key for door belt buckle	63-77	7,50
20	312-20	gasket for door handle	63-77	12,--
21	312-21	retaining plate for door handle	63-77	15,--
22	312-22	set door handles alu, GTA	66-69	74,--
23	312-23	set door locking, GTA	66-69	246,--
24	312-24	door opener inside GTA		28,20



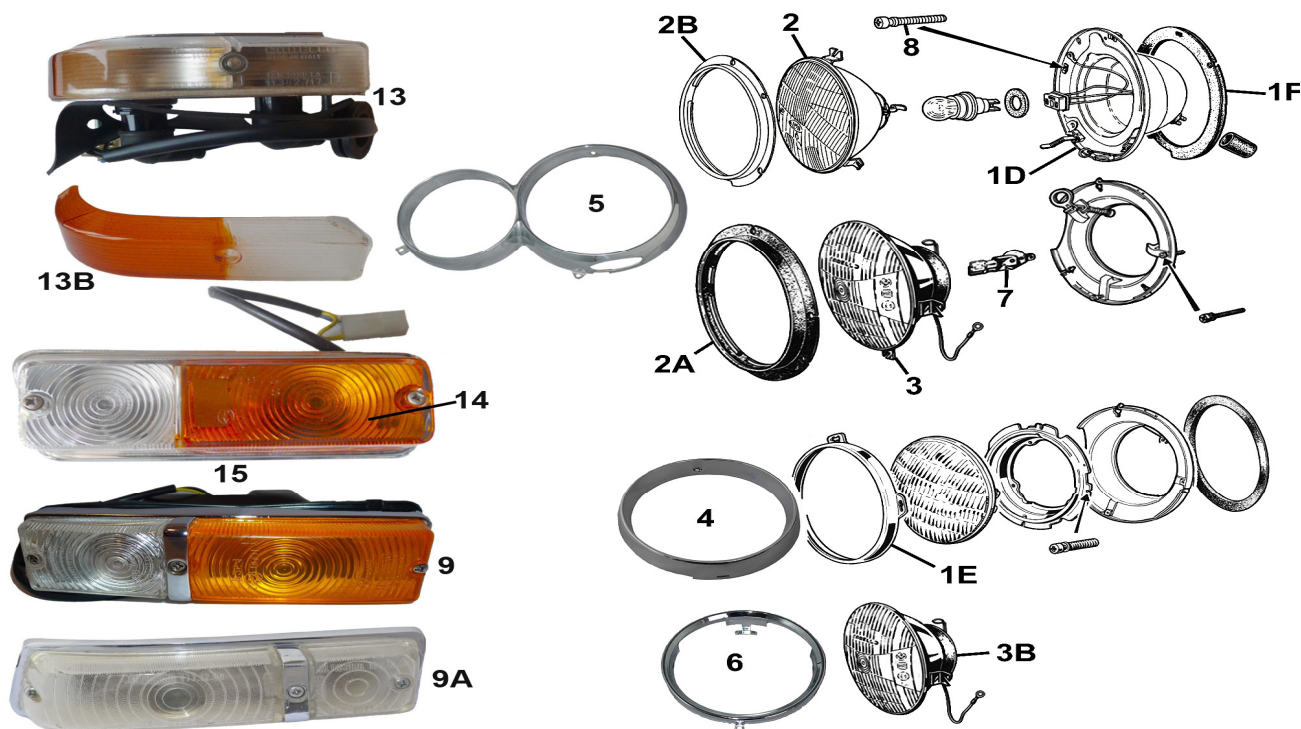
<u>picture</u>	<u>order nr.</u>	<u>description</u>	year of manufacture	price €
1	313-1	instrument panel GT 1300 / 1600	67-69	1099,--
1A	313-1A	instrument panel GT 1750 1. Series	67-69	1099,--
1B	313-1B	instrument panel GT 1750 2. Series	70-73	1099,--
1C	313-1C	instrument panel GT 2000	70-77	1099,--
2C	313-2C	repair set f. instrument panel upper part 1300/1600/1750	72-77	205,--
2D	313-2D	repair set for instrument panel upper part 2000	66-72	205,--
3	313-3	wainscot for instrument panel GT 2000	71-77	85,--
4	313-4	wainscot for centre console GT 2000	71-77	83,--
4A	313-4A	chrome strip wainscot for 313-4, 1,05 m long	71-77	16,--
5	313-5	wainscot for rack GT 2000	71-77	34,--
6	313-6	set wainscot 1750, dash board GTV 1300 / 1600 / 1750	68-71	89,--
6A	313-6A	set wainscot 1750, centre console, anteriore 1750	68-71	115,--
6B	313-6B	set wainscot 1750, centre console, GTV 1750		56,--
6C	313-6C	chrome ring, for small instruments	63-78	25,--
9	313-9	lighting glove box	63-77	15,--
10	313-10	contact switch for lighting for glove box	63-77	12,--
11	313-11	bulb for lighting inside	63-77	3,--
12	313-12	belt buckle for glove box	68-77	not available
13	313-13	headliner, white	63-77	169,--
13A	313-13A	headliner, grey	63-77	169,--
13B	313-13B	Set of wire rods (4) for fixing headliner	63-77	139,--
14	313-14	hatrack 1300/1600	63-77	136,--
14A	313-14A	hatrack 1750 / 2000	63-77	16,--
15	313-15	ashtray 2000	72-77	195,--
17	313-17	leather sack for gearshift, black, for cars without centre console	63-70	45,--
17A	313-17A	leather sack for gearshift, black, for cars with centre console	68-77	39,--
17B	313-17B	leather sack for gearshift, black GT 2000		32,--
17C	313-17C	clamp for gear shift boot mounting	68-77	10,--
18	313-18	chrome frame for leather sack for gearshift, cars with centreconsole,1750	ab '68	55,--
18A	313-18A	chrome frame for leather sack for gearshift, GT 2.0	70-77	55,--
19	313-19	hand brake covering rubber GT, 1750	69-72	66,--
20	313-20	hand brake covering, leatherette black, 1300 / 1600 / 2000	63-77	36,--
20A	313-20A	hand brake covering, leatherette black, 1750	68-72	49,--
20C	313-20C	hand brake covering, leatherette black	69-77	45,--
21	313-21	set black sun visors with mounting	63-77	115,--
21B	313-21B	set sun visors beige, with mounting	63-77	115,--
22	313-22	set air nuzzle for dashboard	67-77	85,--



<u>picture</u>	<u>order nr.</u>	<u>description</u>	year of manufacture	price €
1	314-1	set front door covering black, with chrome strip 1300/1600/1750GT	63-69	249,--
1A	314-1A	set front door covering black, 1750 2. Series/ 2000 Bertone	70-77	249,--
2B	314-2B	set door covering, bordeaux red	70-77	260,--
2C	314-2C	set door covering, beige wild boar	72-77	255,--
2D	314-2D	set door covering, beige	7077	200,--
2F	314-2F	black fixation screw with plate f. lower or upper door covering	63-77	1,65
4	314-4	set of side covering, rear, black with chrome strip 1300/1600/1750	63-69	186,--
4A	314-4A	rear set of side covering, black 1750/2000 2. series	69-77	186,--
4B	314-4B	rear set of side covering beige	69-77	200,--
4C	314-4C	rear set of side covering beige	70-77	200,--
5	314-5	set covering wheel, black	63-77	37,--
5A	314-5A	set coverings wheel arch beige wild boar	70-77	45,--
5B	314-5B	set coverings wheel arch beige	70-77	45,--
6	314-6	arm rest bottom part left, 1. series	63-72	70,--
6A	314-6A	arm rest bottom part right, 1. series	63-72	70,--
6B	314-6B	mounting plate for armrest left or right, GT 1300/1600, Giulia	63-78	46,--
7	314-7	arm rest left 1300/1600/1750	71-77	100,--
7A	314-7A	arm rest right 1300/1600/1750	71-77	100,--
7B	314-7B	set of chrome coverings for arm-rest	70-77	on request
7C	314-7C	leather for arm-rest left or right	70-77	16,--
11	314-11	lap belt	63-77	56,--
11A	314-11A	automatic belt, 3-point	63-77	64,--
11B	314-11B	set safety belt static with chrome	63-77	199,--
12	314-12	repair set for interior mirror	69-77	20,--
12A	314-12A	interior mirror without base	69-77	98,--
13	314-13	map case left, with chrome strip	63-77	99,--
13A	314-13A	map case right, with chrome strip	63-77	99,--
13B	314-13B	chrome strip for map bag	63-77	10,--
17	314-17	plexi for lighting inside GT, Giulia	63-78	16,79
17A	314-17A	set plexi covers for lighting inside	71-77	47,90
18	314-18	anti-vibration screw long for interior mirror (to clamp)	63-79	12,--
19	314-19	anti-vibration screw short for interior mirror (to screw)	63-79	9,80



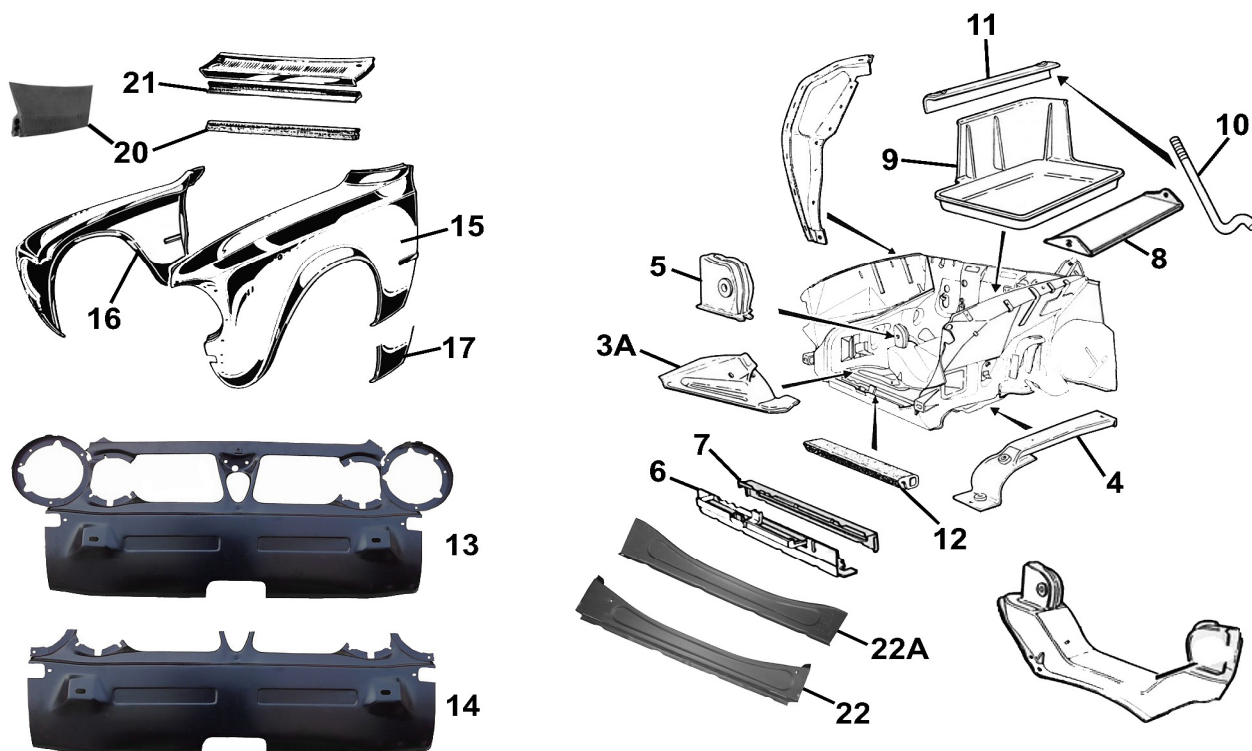
<u>picture</u>	<u>order nr.</u>	<u>description</u>	year of manufacture	price €
1	315-1	set seat coverings (1 seat) imitation leather black	63-66	284,--
1A	315-1A	set seat coverings (1 seat) imitation leather claret red	63-66	284,--
1B	315-1B	set seat coverings (1 seat) imitation leather / drapery, brown	63-66	284,--
1C	315-1C	set seat coverings compl. (2 seats + back seat) leather black	63-66	2400,--
1D	315-1D	set back seat coverings, black	63-66	335,--
Giulia GT veloce				
2	315-2	set seat coverings, imitation leather, black	66-68	284,--
2A	315-2A	set seat coverings, imitation leather, light brown	66-68	284,--
2B	315-2B	set seat coverings, compl. (2 seats + back seat) leather black	66-68	2400,--
GT 1300 junior 66 – 77 / GT 1600 Junior 72 - 77				
3	315-3	set seat coverings, imitation leather, black	66-77	284,--
3A	315-3A	set seat coverings, imitation leather, claret red, 3 parts	66-74	284,--
3B	315-3B	set seat coverings, imitation leather, brown, 3 parts	66-70	284,--
3C	315-3C	set seat coverings, imitation leather, auburn, 3 parts	71-74	284,--
3D	315-3D	set seat coverings, imitation leather/ drapery, black / light brown	66-74	284,--
4	315-4	set seat coverings, back seat, imitation leather, black	66-74	349,--
5	315-5	set seat coverings, complete (2 seats + back seat) leather	69-72	2400,--
5A	315-5A	set (2) seat cushions (seat and back rest) Alfa GT junior 1300/1600	66-73	149,--
5B	315-5B	seat cushions Bertone 1300/1600	66-73	105,--
1750 GT veloce				
6	315-6	set seat coverings, imitation leather, black, 3 parts	67-69	365,--
6A	315-6A	set seat coverings, imitation leather, black, 3 parts	69-72	365,--
6B	315-6B	set seat coverings, (f. 2 seats + back seat) imitation leather	67-72	1400,--
6C	315-6C	set seat coverings, brown (for 2 seats in front)	67-72	695,--
7	315-7	set seat coverings, back seat, imitation leather, black	67-69	440,--
7A	315-7A	set seat coverings, back seat, black	69-72	355,--
7C	315-7C	set seat coverings, back seat, (2 seats + back seat) leather	67-72	2400,--
2000 GT veloce 71 - 77				
8	315-8	set seat coverings, imitation leather, black, 3 parts	71-77	284,--
8A	315-8A	set seat coverings, imitation leather, auburn, 3 parts	71-77	284,--
8B	315-8B	set seat coverings, imitation leather, beige / sandy color, 3 parts	71-77	284,--
9	315-9	set seat coverings, imitation leather black	71-77	440,--
9A	315-9A	set seat coverings, back seat, imitation leather auburn	71-77	440,--
9B	315-9B	set seat coverings, back seat, imit. leather beige / sandy color	71-77	440,--
10	315-10	set seat coverings (2 seats + back seat) leather black	71-77	2400,--
11	315-11	set cover for 2 seat adjustment mechanism	64-77	115,--
11A	315-11A	adjustment wheel black for backrest	64-77	65,--
12	315-12	seat cushion, 1750 GTV 69-73, 2,0 GTV 71-77, GT Junior 74-76	70-77	85,--
13	315-13	backrest cushion, 1750 GTV 69-73, 2,0 GTV 71-77, GT Junior 74-76	70-77	85,--



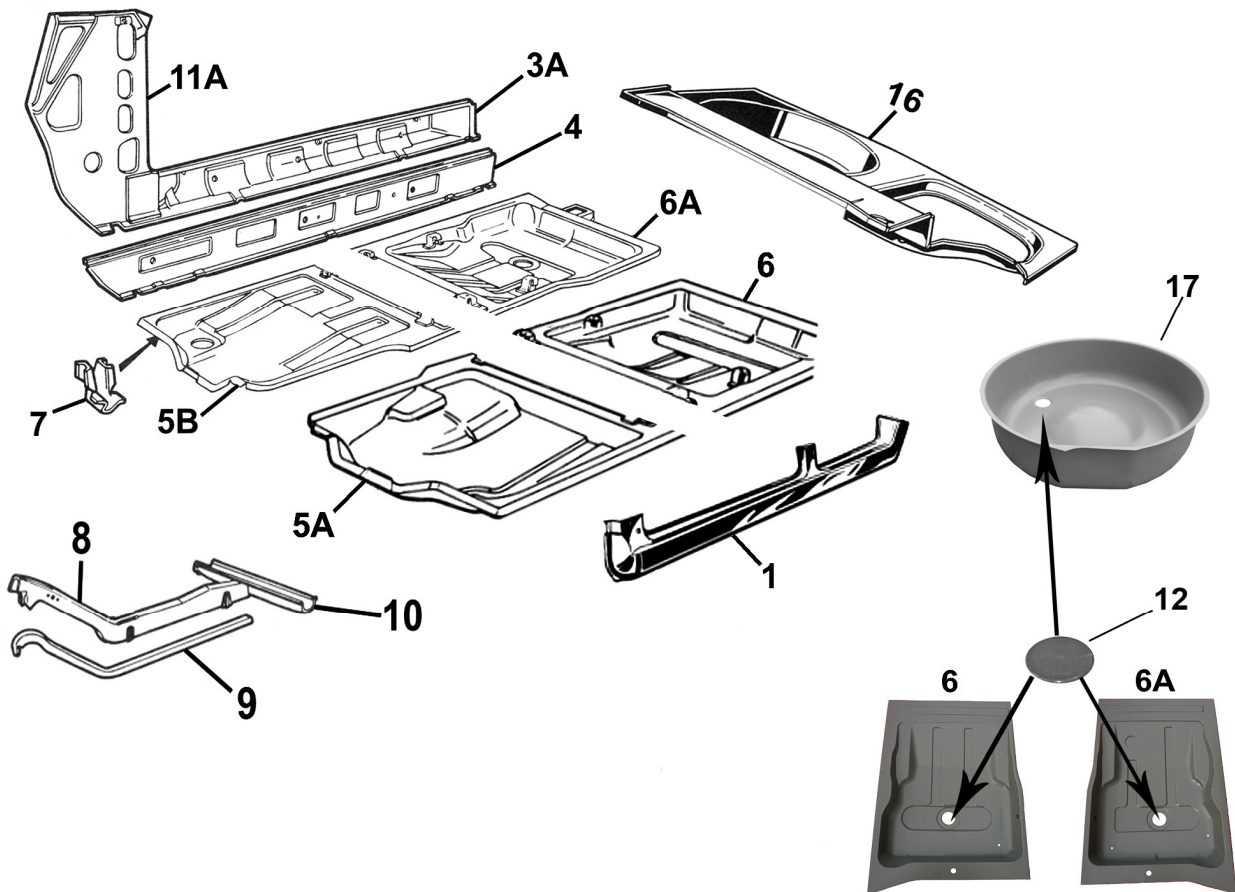
<u>picture</u>	<u>order nr.</u>	<u>Description</u>	year of manufacture	price €
1	417-1	headlight outside Bilux, Carello replica, 1300/1600	63-66	49,--
1A	417-1A	headlight without regulation, Giulia ti	63-66	99,--
1B	417-1B	headlight pot inside left, Giulia, GT, Berlina	66-74	55,--
1C	417-1C	headlight pot inside right, Giulia, GT, Berlina	66-74	75,--
1D	417-1D	headlight pot 7 " with regulation of light range Giulia nuova	67-74	86,--
1E	417-1E	fixation ring for headlight Giulia ti	63-66	23,--
1F	417-1F	gasket for headlight outside	63-66	13,--
1G	417-1G	headlight pot without adjuster, Carello	63-66	119,--
2	417-2	Bilux outdoor spotlight with adjuster 1300 / 1600 /1750	67-74	89,--
2A	417-2A	gasket for headlight inside	69-74	15,--
2B	417-2B	gasket for headlight outside	69-74	16,--
3	417-3	headlight inside left H1, Giulia super 1750	67-74	39,--
3A	417-3A	headlight inside right H1, Giulia super 1750	67-74	39,--
3B	417-3B	headlight outside right H1, Giulia super nuova	74-78	68,--
3C	417-3C	headlight outside left H1, Giulia super nuova	74-78	68,--
3D	417-3D	headlight inside H4 right, Giulia nuova	74-78	69,--
3E	417-3E	headlight inside H4 left, Giulia nuova	74-78	69,--
4	417-4	set headlight rings, 1. Series, 1300 Giulia ti	63-66	140,--
5	417-5	headlight double ring left chromed	67-74	149,--
5A	417-5A	headlight double ring right chromed	67-74	149,--
6	417-6	headlight ring Giulia nuova	74-78	45,--
7	417-7	light bulb H 4		4,60
8	417-8	adjusting screw for headlight	63-77	4,--
8A	417-8A	adjusting screw for headlight, inside		4,--
9	417-9	set indicator in front, above the bumper (metal housing)	63-74	230,--
9A	417-9A	set gaskets between indicator glass + housing	63-69	24,--
9B	417-9B	set of gaskets between turn signal + body	63-73	29,--
12	417-12	indicator cap left in front (give producer name)	63-69	23,--
12A	417-12A	indicator cap right in front (give producer name)	63-69	23,--
12B	417-12B	indicator cap left in front (give producer name)	70-74	23,--
12C	417-12C	indicator cap right in front (give producer name)	70-74	23,--
13	417-13	set indicator, Berlina 1750	69-74	400,--
13A	417-13A	indicator cap left, Berlina 1750	69-74	42,--
13B	417-13B	indicator cap right, Berlina 1750	69-74	42,--
14	417-14	set indicator in front, Berlina 2000	71-78	230,--
15	417-15	indicator cap, left, Berlina 2000	71-78	30,--
15A	417-15A	indicator cap, right, Berlina 2000	71-78	30,--



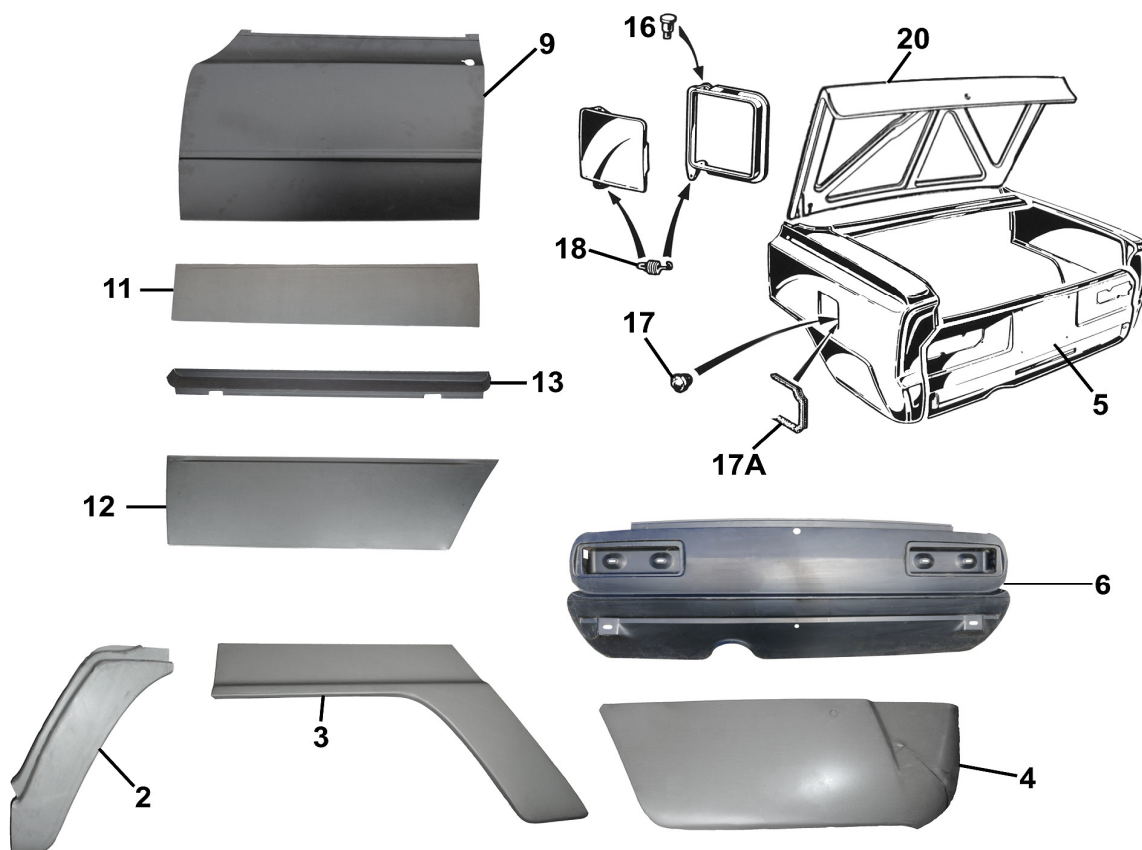
picture	order nr.	description	year of manufacture	price €
1	418-1	serie indicator sideways long, Giulia ti, super	63-69	298,--
1A	418-1A	side turn signal long, RH,	63-69	130,--
2	418-2	serie indicator cap Giulia ti super	63-69	60,--
3	418-3	indicator sideways	70-78	30,--
3A	418-3A	gasket for indicator, 1600 Sprint	70-78	6,--
5	418-5	licence number lighting	63-69	85,--
6	418-6	licence number lighting, Carello	70-78	38,--
6A	418-6A	joint f. license number lighting	70-78	4,90
7	418-7	set rear light (metal housing) small construction	63-66	550,--
7A	418-7A	set rear light (metal housing) small construction	66-69	500,--
7B	418-7B	rear light cap, small construction, Altissimo	63-69	85,--
7C	418-7C	rear light cap, small construction, Carello	63-69	85,--
7D	418-7D	set gasket for rear lights	63-69	30,--
8	418-8	rear light left, flat construction	70-78	188,--
8A	418-8A	rear light right, flat construction	70-78	188,--
8B	418-8B	rear light cap for flat construction left	70-78	85,--
8C	418-8C	rear light cap for flat construction right	70-78	85,--
10	418-10	rear light left, Berlina 1750	69-71	200,--
10A	418-10A	rear light right, Berlina 1750	69-71	200,--
10B	418-10B	set rear light cap Berlina 1750	69-71	180,--
11	418-11	rear light left, Berlina 2000	71-78	230,--
11A	418-11A	rear light right, Berlina 2000	71-78	230,--
11B	418-11B	rear light cap left, Berlina 2000	71-78	90,--
11C	418-11C	rear light cap right, Berlina 2000	71-78	90,--
12	418-12	set gasket for rear lights	70-78	30,--
13	418-13	indicator in front under the bumper, super nuova	74-78	76,--
14	418-14	indicator cap, under the bumper, super nuova	74-78	23,--



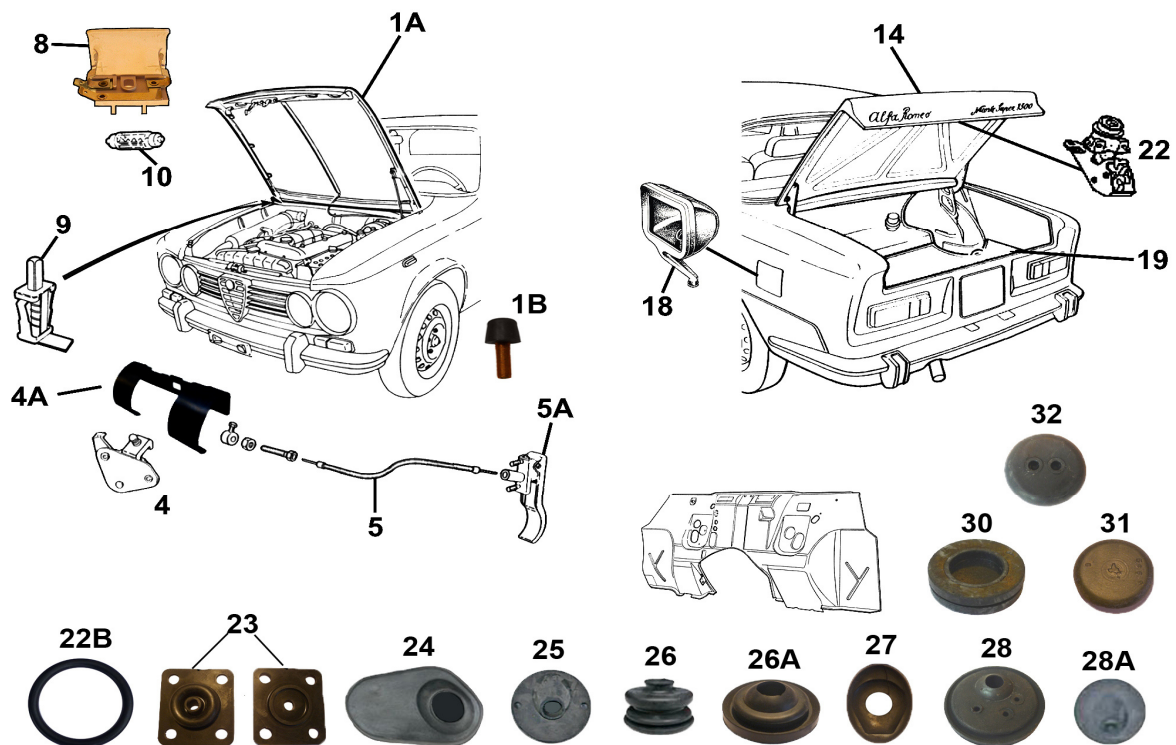
<u>picture</u>	<u>order nr.</u>	<u>description</u>	year of manufacture	price €
3	419-3	extension in front left	63-78	49,--
3A	419-3A	extension in front right	63-78	49,--
4	419-4	motor connection plate left	63-78	32,--
4A	419-4A	motor connection plate right	63-78	32,--
5	419-5	upper transverse control arm seating	63-78	73,--
6	419-6	cross beam, lower, radiator box	63-78	39,50
7	419-7	cross beam, rear, lower, upper part radiator box	70-77	51,--
8	419-8	retaining plate for battery	70-78	39,--
8A	419-8A	retaining plate for battery 1. Series	66-69	158,--
9	419-9	plastic tray for battery	63-78	35,90
10	419-10	fastening rod for battery	63-78	9,--
11	419-11	fastening angle for battery	63-78	16,50
11A	419-11A	wing nut for fixation angle for battery	66-94	1,30
12	419-12	gasket radiator box in front lower	63-78	6,--
13	419-13	front steel plate	63-78	490,--
13B	419-13B	front steel plate, Berlina 1750, 2000		800,--
14	419-14	front steel plate lower	63-78	197,--
15	419-15	mudguard in front left	63-78	950,--
15A	419-15A	mudguard in front left 1750/2000 Berlina	69-78	550,--
16	419-16	mudguard in front right	63-78	550,--
16A	419-16A	mudguard in front right 1750/2000 Berlina	69-78	550,--
17	419-17	repair plate mudguard in front left	63-78	40,--
17A	419-17A	repair plate mudguard in front right	63-78	40,--
17B	419-17B	repair plate mudguard in front left 1750 / 2000 / Berlina	68-78	85,--
17C	419-17C	repair plate mudguard in front right 1750 / 2000 / Berlina	68-78	85,--
18	419-18	splash guard rear left, metal	63-78	98,--
18A	419-18A	splash guard rear right, metal	63-78	98,--
19	419-19	windscreen wiper covering plate	63-78	160,--
20	419-20	gasket for windscreen wiper covering plate	63-78	23,--
21	419-21	gasket lower windscreen wiper covering in front	63-78	6,--
22	419-22	lower cross member radiator in front, u profile	63-69	84,--
22A	419-22A	lower cross member radiator rear	63-69	54,--
23	419-23	radiator box	70-78	210,--
23A	419-23A	radiator box , Berlina1750, 2000		225,--



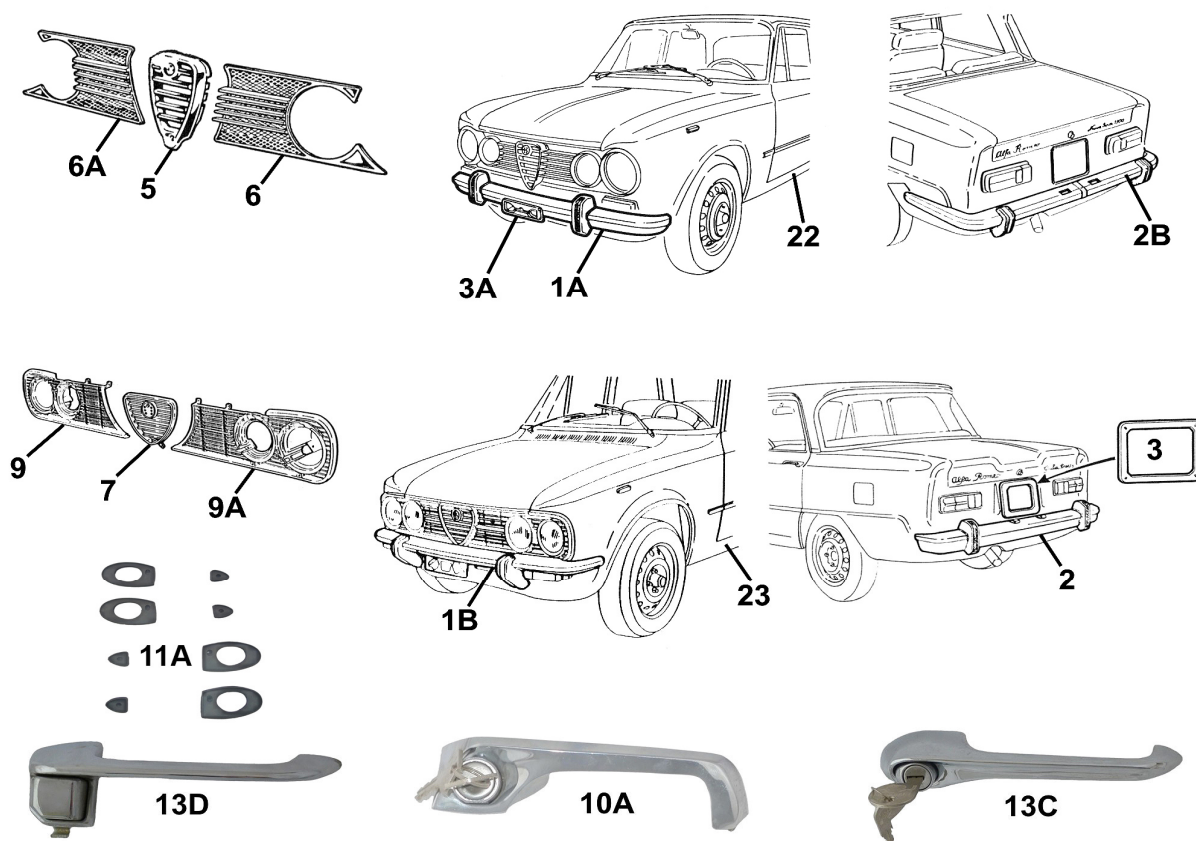
<u>Pict.</u>	<u>order nr.</u>	<u>description</u>	<u>year of manufacture</u>	<u>price €</u>
1	420-1	outer sill board left	63-78	113,--
1A	420-1A	outer sill board right	63-78	113,--
3	420-3	middle sill board left	63-78	175,--
3A	420-3A	middle sill board right	63-78	175,--
4	420-4	inner sill board left	63-78	not available
4A	420-4A	inner sill board right	63-78	not available
5	420-5	bottom plate in front, left, standing pedals	63-69	149,--
5A	420-5A	bottom plate in front, left, hanging pedals	70-78	149,--
5B	420-5B	bottom plate in front, right	63-78	149,--
6	420-6	bottom plate rear, left	63-78	220,--
6A	420-6A	bottom plate rear, right	63-78	220,--
6B	420-6B	left floor panel, rear	69-78	225,--
6C	420-6C	right floor panel, rear	69-78	225,--
7	420-7	jack collet in front, left or right	63-78	25,--
7A	420-7A	car - jack seating, in rear left or right	66-78	45,--
8	420-8	longitudinal chassis beam, left	63-78	118,--
8A	420-8A	longitudinal chassis beam, right	63-78	118,--
9	420-9	covering for longitudinal chassis beam, left	63-78	95,--
9A	420-9A	covering for longitudinal chassis beam, right	63-78	95,--
10	420-10	radius rod under bottom plate, left	63-78	121,--
10A	420-10A	radius rod under bottom plate, right	63-78	121,--
11	420-11	intermediate plate inside, left	63-78	89,--
11A	420-11A	intermediate plate inside, right	63-78	89,--
12	420-12	rubber stopper for floor panel or spare wheel tray	63-78	4,--
13	420-13	collet for stopper gum rear, left	63-78	38,--
13A	420-13A	collet for stopper gum rear, right	63-78	38,--
14	420-14	pedal plate GT, standing pedals	63-70	79,--
16	420-16	boot floor Giulia	63-77	345,--
16A	420-16A	boot floor Berlina 1750-2000	67-77	345,--
16B	420-16B	stiffening plate f. boot floor, Gt, Giulia, Berlina	63-77	49,--
17	420-17	spare wheel tray	63-78	125,--
18	420-18	Retaining plate f. exhaust under luggage	63-94	14,--



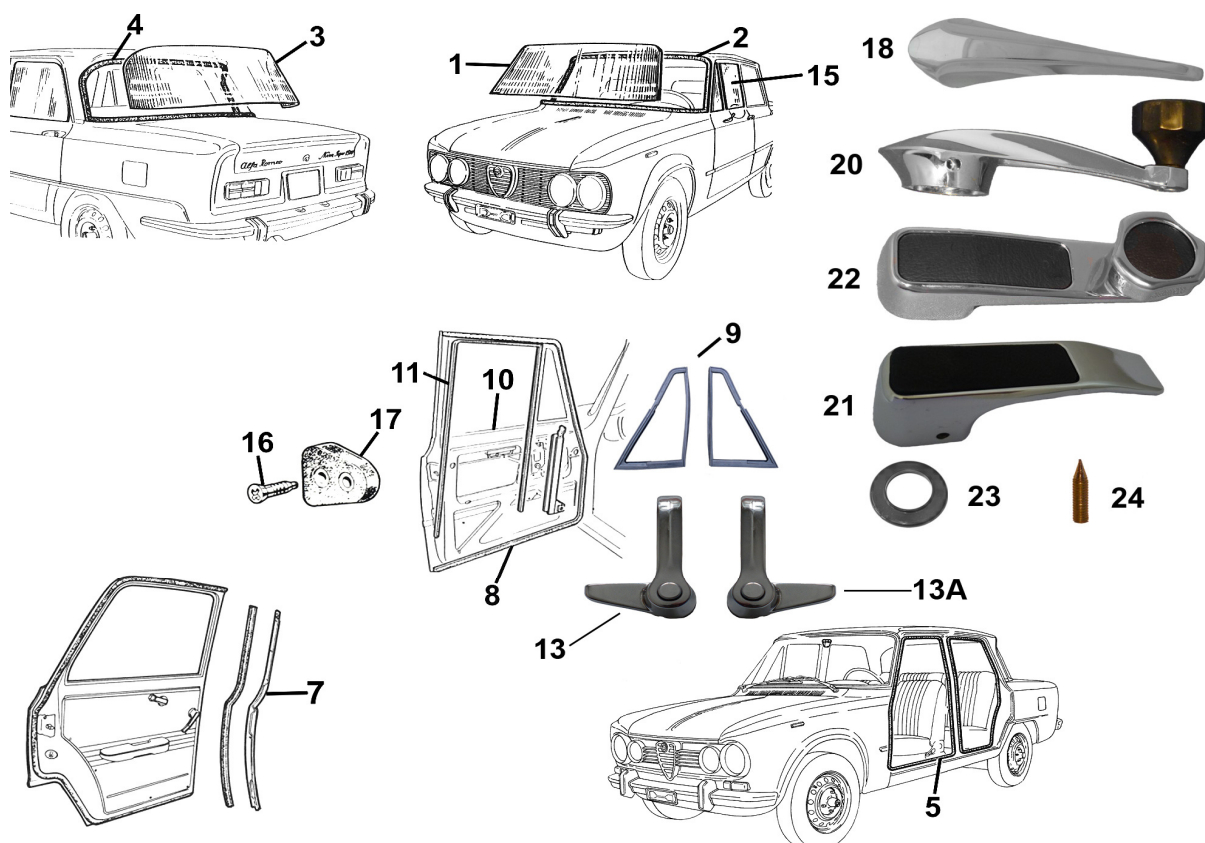
<u>picture</u>	<u>order nr.</u>	<u>description</u>	<u>year of manufacture</u>	<u>price</u> €
2	421-2	wheel arch repair plate, in front left	63-78	26,--
2A	421-2A	wheel arch repair plate, in front, right	63-78	26,--
3	421-3	wheel arch repair plate, rear, left	63-78	26,--
3A	421-3A	wheel arch repair plate, rear, right	63-78	26,--
4	421-4	mudguard repair plate, rear, left	63-78	30,--
4A	421-4A	mudguard repair plate, rear, right	63-78	30,--
4B	421-4B	mudguard repair plate, rear, left (upper quality)	63-78	109,--
4C	421-4C	mudguard repair plate, rear, right (upper quality)	63-78	109,--
5	421-5	rear end plate	63-78	429,--
6	421-6	rear end plate Berlina	63-78	590,--
8D	421-8D	cotter pin for door articulation	63-78	3,99
9	421-9	outer door panel in front, left	63-78	175,--
9A	421-9A	outer door panel in front, right	63-78	175,--
10	421-10	outer door panel rear, left	63-78	175,--
10A	421-10A	outer door panel rear, right	63-78	175,--
11	421-11	door repair plate, in front, left	63-78	49,--
11A	421-11A	door repair plate, in front, right	63-78	49,--
12	421-12	door repair plate, rear, left	63-78	49,--
12A	421-12A	door repair plate, rear, right	63-78	49,--
13	421-13	repair plate for door bottom, in front, left	63-78	129,--
13A	421-13A	repair plate for door bottom, in front, right	63-78	129,--
14	421-14	repair plate for door bottom, rear, left	63-78	119,--
14A	421-14A	repair plate for door bottom, rear, right	63-78	119,--
15	421-15	flap	63-78	89,--
15A	421-15A	metal frame for flap, GT, GTV, Giulia, Berlina, Zagato	63-79	69,--
16	421-16	rivet for tank shutter	63-78	3,90
17	421-17	stopper gum for tank shutter	63-78	4,50
17A	421-17A	gasket frame for tank shutter, Giulia, GT	63-78	9,50
18	421-18	spring for tank shutter	63-78	4,30
19	421-19	luggage boot bonnet	64-68	1.290,--
20	421-20	luggage boot bonnet 2. series	68-78	1.100,--
21	421-21	connection plate boot floor left	63-78	124,--
21A	421-21A	connection plate boot floor right	63-78	124,--



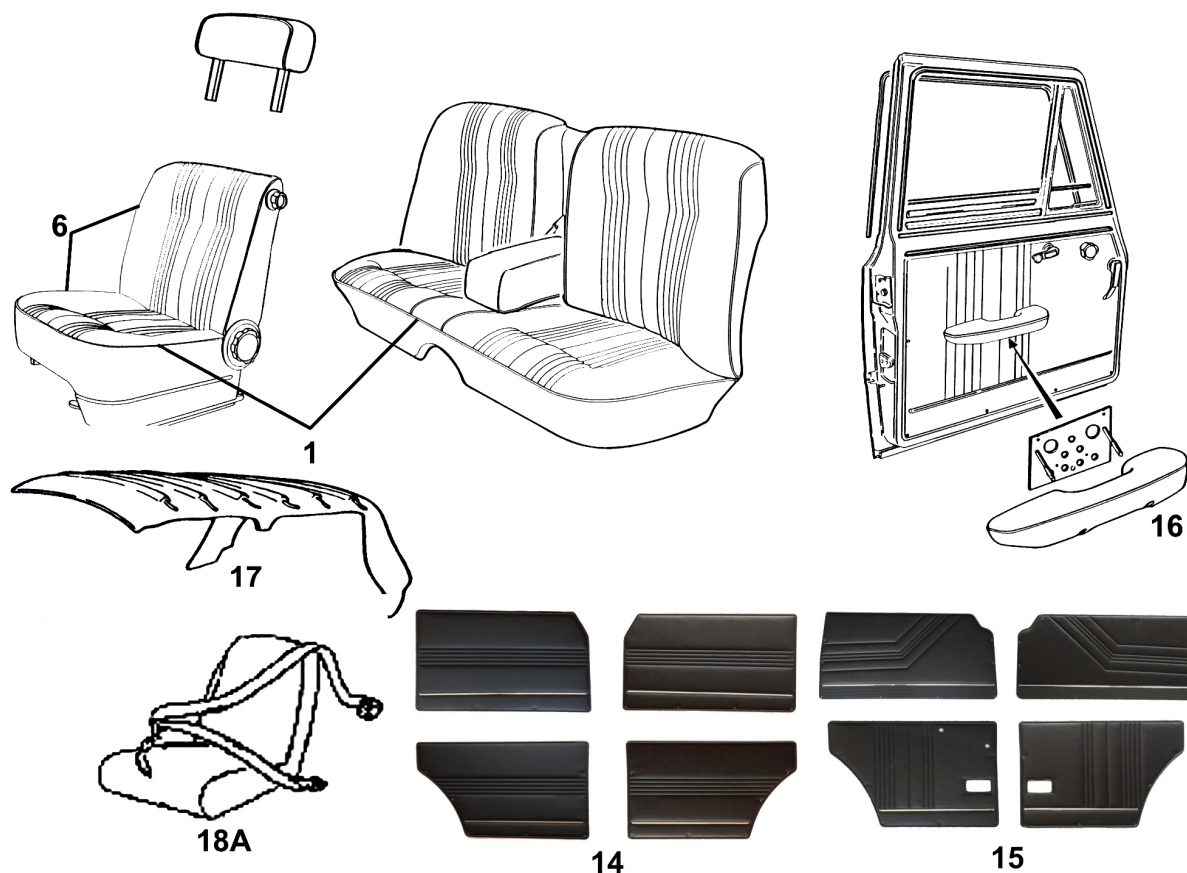
picture	order nr.	Description	year of manufacture	price €
1	422-1	engine bonnet, 1. Series	63-67	650,--
1A	422-1A	engine bonnet, 2. Series	68-78	595,--
1B	422-1B	gum stop for engine bonnet	64-78	10,--
2	422-2	chrome trim strip on engine bonnet	63-74	190,--
3	422-3	trim strip for engine bonnet, across, black	74-78	179,--
4	422-4	engine bonnet release	63-78	40,--
4A	422-4A	bonnet spring plate	63-78	27,--
5	422-5	linkage for engine bonnet release	63-78	19,--
5A	422-5A	lever for engine bonnet	63-78	49,--
6	422-6	rubber for engine bonnet mount	63-78	3,--
7	422-7	engine bonnet mount	63-78	20,--
8	422-8	lighting f. glove box, engine or rear bonnet	63-78	25,--
9	422-9	touch sensitive switch f. engine-, motor bonnet or glove box light	63-78	10,--
10	422-10	bulb for engine bonnet lighting	63-78	1,--
11	422-11	gasket under wind deflector and front wall, in front	63-78	15,--
12	422-12	gasket for leading edge wind deflector	63-78	34,--
14	422-14	luggage boot bonnet	64-68	710,--
15	422-15	luggage boot bonnet, 2. series	68-78	640,--
18	422-18	rubber collar for tank connection	64-78	54,--
19	422-19	gasket luggage boot, 4-parts	64-78	50,--
19A	422-19A	rubber stop for luggage boot cap	63-78	2,50
19B	422-19B	gasket luggage boot Berlina		55,--
22	422-22	boot lock	64-70	149,--
22A	422-22A	boot lock	70-78	129,--
22B	422-22B	rubber underlay long f. boot lock	63-78	3,90
23	422-23	lead-through rubber for accelerator pedal	63-78	6,90
24	422-24	lead-thr. rubber for steering column, front wall, st. pedals	64-70	32,--
25	422-25	lead-through rubber for steering column	70-78	45,--
26	422-26	lead-through rubber for heating hose, front wall	64-70	15,--
26A	422-16A	lead-through rubber for heating hose, front wall	70-78	6,--
27	422-27	lead-through rubber for wiring harness	64-78	6,--
28	422-28	lead-through rubber f. throttle cable, heating hose, tacho shaft	68-78	15,--
28A	422-28A	lead-through rubber for heating hose	64-69	10,50
28B	422-28B	lead-through rubber f. throttle cable, heating hose, tacho shaft	63-68	15,--
30	422-30	lead-through rubber for brake pipe	63-77	3,--
31	422-31	square plug		1,20
32	422-32	grommet rubber for cable rear bumper	63-78	13,--



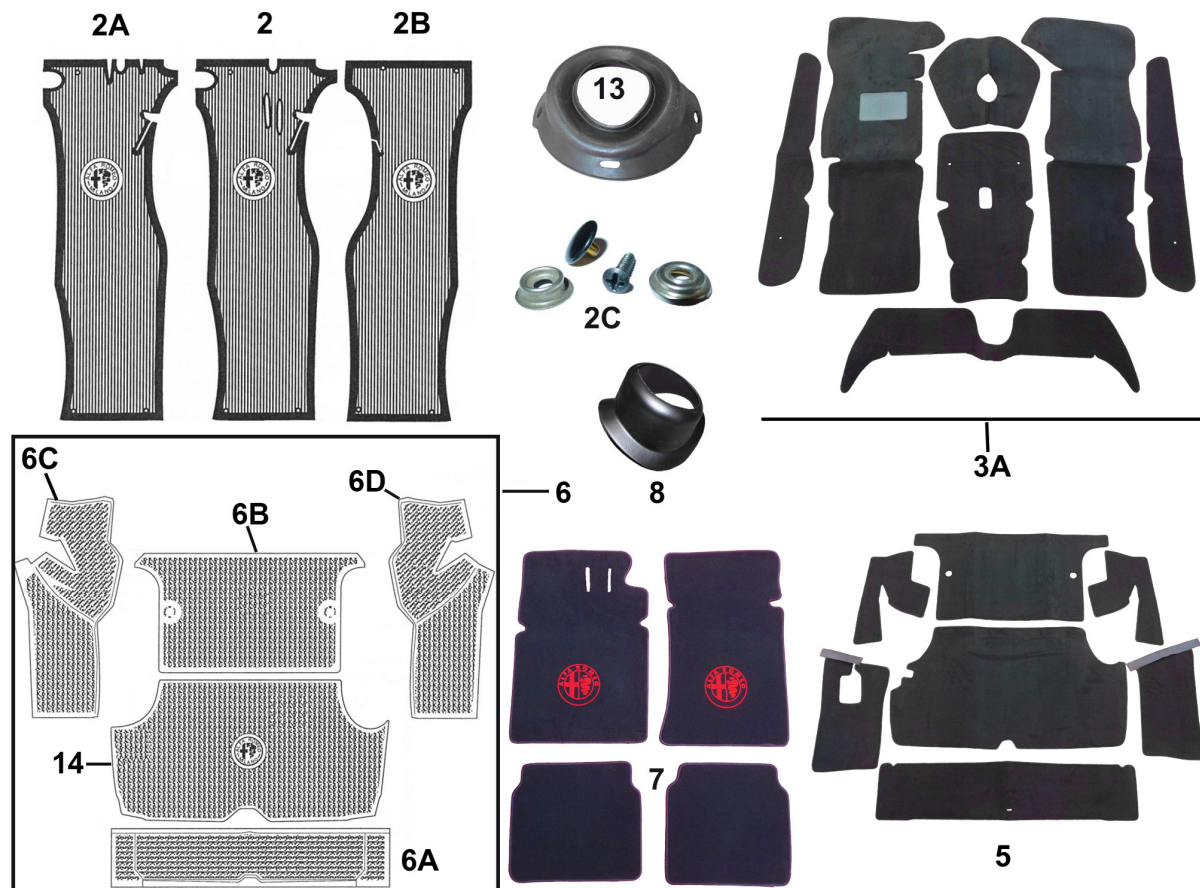
<u>picture</u>	<u>order nr.</u>	<u>description</u>	year of manufacture	price €
1	423-1	set bumper with horns	63-66	1300,--
1A	423-1A	bumper in front	69-74	385,--
1B	423-1B	bumper in front	74-78	460,--
2	423-2	bumper rear	67-72	560,--
2A	423-2A	bumper rear	69-74	435,--
2B	423-2B	bumper rear	74-78	440,--
2C	423-2C	rubber profile for bumper	70-77	26,--
3	423-3	chrome frame for license number rear	63-77	30,--
3A	423-3A	license number bracket, in front	63-78	30,--
4	423-4	radiator grill complete, chrome	67-72	205,--
4A	423-4A	radiator grill left, 3 chrome strips	69-74	179,--
4B	423-4B	radiator grill right, 3 chrome strips	69-74	179,--
5	423-5	radiator grill middle, chrome	69-74	285,--
6	423-6	radiator grill left, chrome 5 strips	69-74	179,--
6A	423-6A	radiator grill right, chrome, 5 strips	69-74	179,--
7	423-7	radiator grill middle, chrome, super nuova	74-78	235,--
9	423-9	Kit radiator grill, super nuova	73-78	309,--
10	423-10	set door handles rear+ in front incl. boot lock	63-69	470,--
10A	423-10A	door handle with belt buckle, right in front	63-69	90,--
10B	423-10B	door handle, rear, left	63-69	on request
10C	423-10C	door handle, rear, right	63-69	85,--
11	423-11	set (4) rubber underlay for door	63-69	30,--
11A	423-11A	set (4) rubber underlay for door	70-78	30,--
13	423-13	set door handle with belt buckle, in front + rear	69-78	450,--
13A	423-13A	door handle with belt buckle, in front, right, super nuova	70-78	100,--
13B	423-13B	door handle rear left, super nuova	70-78	75,--
13C	423-13C	door handle right, super nuova	70-78	75,--
13D	423-13D	set door handle in front + rear Berlina 1750/2000	69-78	350,--
14	423-14	set (8) gaskets for door handle Berlina	70-78	25,--
22	423-22	Chrome sill trims, left Giulia Super	63-70	120,--
22A	423-22A	Chrome sill trims, right Giulia Super	63-70	120,--
23	423-23	lower sillboard flat	70-78	120,--
24	423-24	fixation clip for sillboard	70-78	3,20



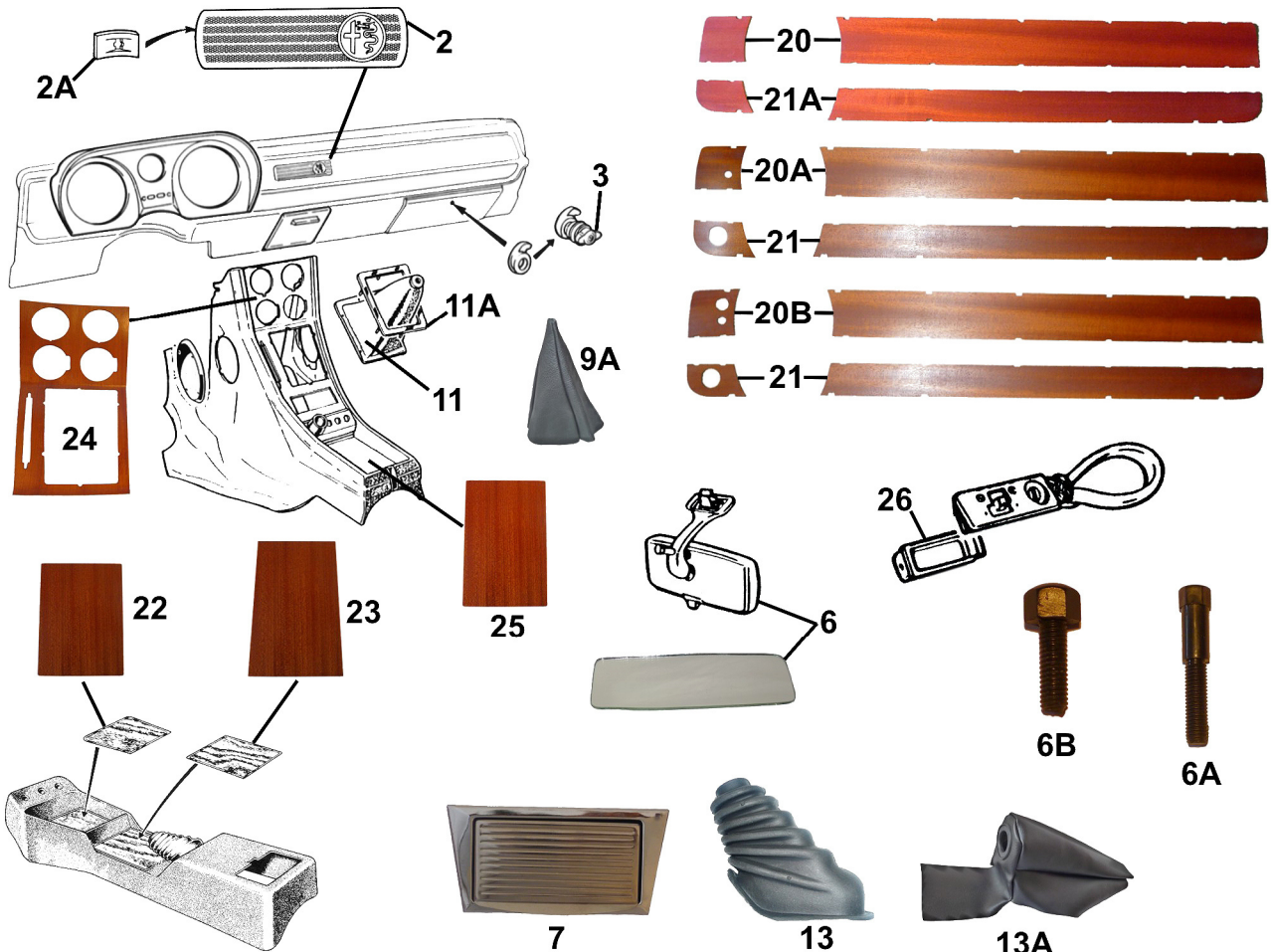
picture	order nr.	description	year of manufacture	price €
1	424-1	windscreen clear, Giulia, Berlina	63-78	299,--
1A	424-1A	windscreen green tinted, Giulia, Berlina	63-78	310,--
1B	424-1B	green windscreen with green wedge Giulia, Berlina	63-78	330,--
2	424-2	gasket front panel, Giulia, Berlina 1750 / 2000	63-78	89,--
3	424-3	rear window	63-78	260,--
4	424-4	gasket rear window	63-78	81,--
4A	424-4A	gasket rear window, Berlina 1750 / 2000	67-78	179,--
5	424-5	door gasket, black, velour, in front of the frame (3,30)	63-77	55,--
5A	424-5A	door gasket of the frame (3,30), Giulia	63-78	30,--
5B	424-5B	door gasket in front of the frame	67-78	32,--
5C	424-5C	door gasket rear at the frame, Berlina 1750/2000	67-78	24,50
7	424-7	gasket on rear door (to b-pillar) Giulia, Berlina 1750 / 2000	63-78	16,--
8	424-8	door gasket on door, Giulia, Berlina 17500, 2000	63-78	31,--
9	424-9	set gasket triangular pane in front, Giulia	63-78	225,--
9A	424-9A	Bolt f. triangular window left Spider, Giulia	63-79	48,--
9B	424-9B	Bolt f. triangular window right Spider, Giulia	63-79	48,--
10	424-10	set strips for window (2 pieces) in front slot for crank window, 1m, inside and outside, right or left, Giulia, Berlina 1750, 2000	63-78	25,--
10A	424-10A	set strips for rear window slot f. crank window, 1,34 m, inside + outside, right or left Giulia, Berlina 1750/2000	67-78	25,--
10D	424-10D	cotter pin for door articulation	63-78	3,99
11	424-11	rubber for door window guide in front, left or right 1,95 m, Giulia, Berlina 17500, 2000	63-77	22,--
12	424-12	door catch strap	63-78	69,--
15	242-15	guide for door, on B-pillar, GT, Giulia, Berlina	63-78	25,90
16	424-16	screw for door wedge guidance	63-78	1,50
17	424-17	door wedge guidance	63-78	11,--
18	424-18	door opener	63-69	28,20
19	424-19	retaining spring for door opener or window-crank	63-69	2,--
20	424-20	window-crank	63-69	35,--
21	424-21	door opener inside	69-78	25,--
22	424-22	window-crank	66-69	23,--
23	424-23	underlay for window-crank or door opener	67-78	4,--
24	424-24	fastening screw for window-crank or door opener	67-78	3,50



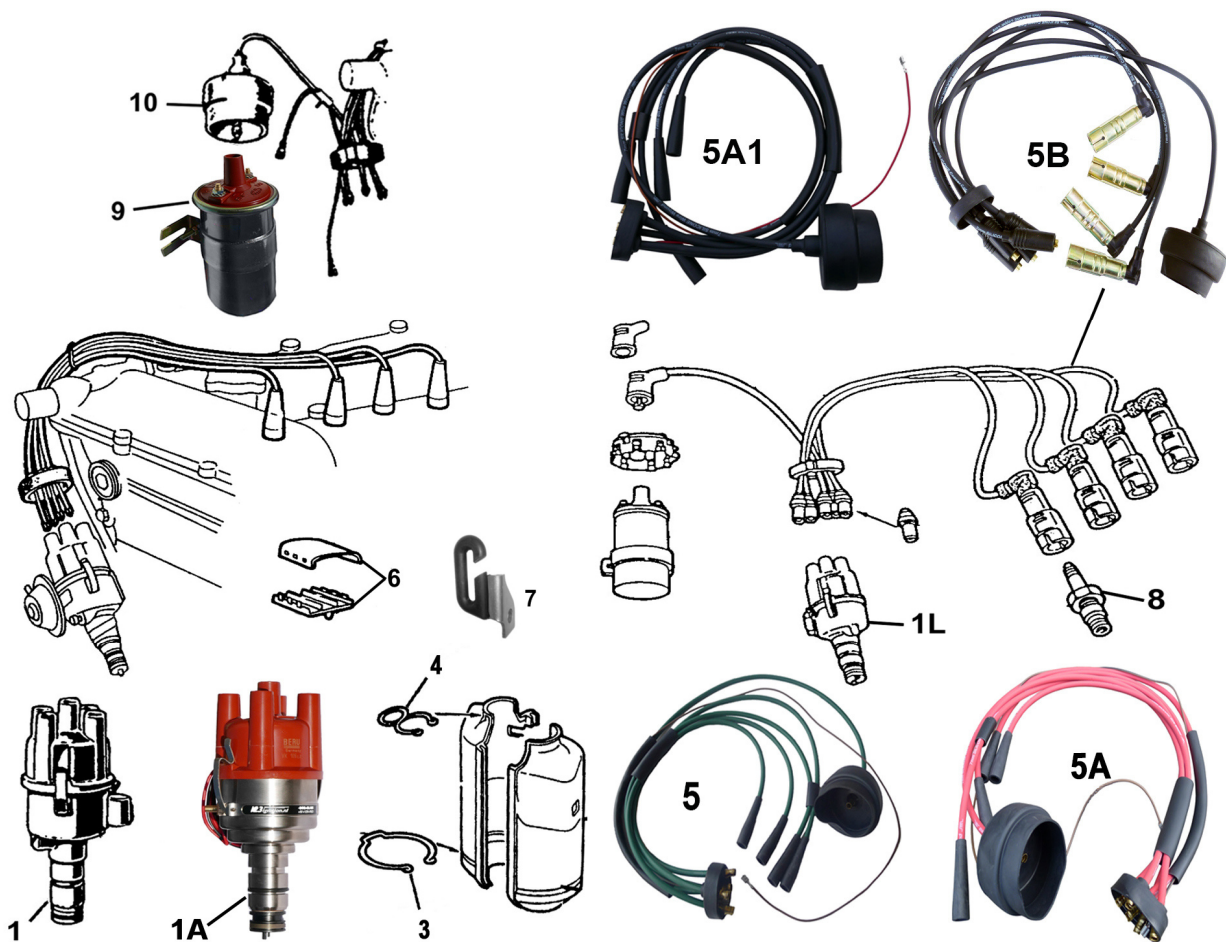
<u>picture</u>	<u>order nr.</u>	<u>description</u>	year of manufacture	Price €
1	425-1	set seat covering w. back seat, imit. leather, black 1300	63-69	845,--
2	425-2	set seat covering w. back seat, imit. leather, black 1300 super	69-70	845,--
3	425-3	set seat covering with back seat, imitation leather, black 1300/1600 super	69-74	845,--
4	425-4	set seat covering with back seat, imitation leather, black 1300/1600 nuova super	74-78	645,--
5	425-5	set seat covering with back seat, leather black	63-78	1.759,--
6	425-6	set seat covering 3-parts, black (1 seat)	63-79	245,--
7	425-7	set seat covering w. back seat, imit. leather black, 1750 Berlina	68-69	799,--
7A	425-7A	set seat covering with back seat, fabric brown, 1750	68-69	989,--
8	425-8	set seat covering w. back seat, imit. leather black, 2000 Berlina	70-72	925,--
9	425-9	set seat covering with back seat, imitation leather black, 2000	71-75	925,--
10	425-10	door covering black lengthwise-quilted with chrome strip	63-73	390,--
14	425-14	set door covering (4) black, imitation leather	63-73	580,--
14A	425-14A	door covering black imitation leather, in front, right	74-78	110,--
15	425-15	set door covering (4) black, imitation leather	74-78	580,--
15A	425-15A	door covering black imitation leather, rear, right	74-78	110,--
16	425-16	arm-rest black, left	64-78	98,--
16A	425-16A	arm-rest black, right	64-78	98,--
16B	425-16B	mounting plate f. armrest left or right, GT 1300/1600, Giulia	63-78	46,--
17	425-17	headlining, light Grey, not punched	64-78	197,--
17A	425-17A	headlining, Berlina 1750/2000	69-78	197,--
17B	425-17B	headlining, cream-coloured, punched, 1. Serie	64-72	197,--
17C	425-17C	headlining, black in front, cream-coloured rear, punched	64-78	197,--
17D	425-17D	headlining, cream-coloured not punched, super nuova	74-78	197,--
18A	425-18A	seat-belt, 3-point, automatic (lash) 40 cm long	64-78	64,--
18B	425-18B	lap Belt	63-78	38,--
18C	425-18C	set seat belts 3-point, static, with dress plate chrome	63-78	150,--
19	425-19	door contact switch Giulia	63-78	6,90



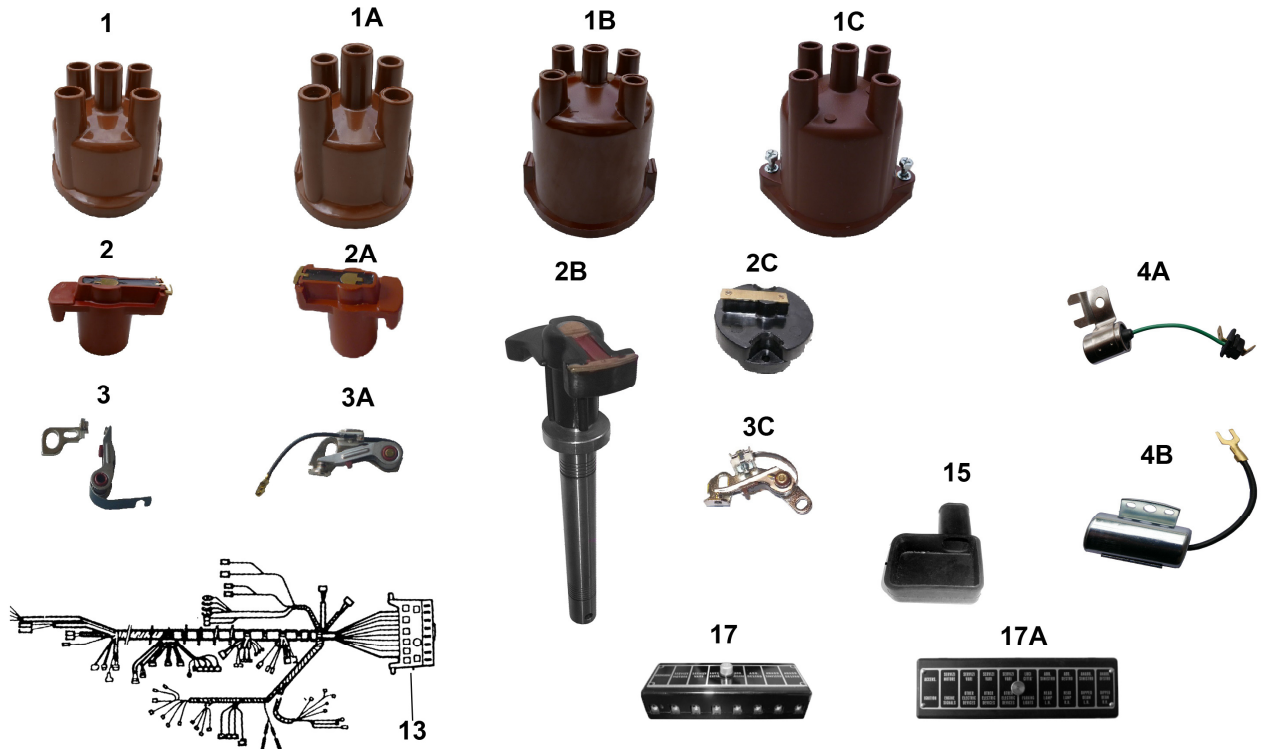
picture	order nr.	description	year of manufacture	price €
1	426-1	set of rubber mats 7-parts incl. luggage boot, standing pedals	64-72	890,--
1A	426-1A	set of rubber mats 7-parts incl. luggage boot, hanging pedals	73-78	890,--
2	426-2	rubber mat foot well in front, left, standing pedals	64-72	128,--
2A	426-2A	rubber mat foot well in front, left, standing pedals	72-78	128,--
2B	426-2B	rubber mat foot well in front, right, hanging pedals	64-78	128,--
2C	426-2C	fixation clip black for rubber floor mat	63-78	4,--
2D	426-2D	carpet set black fine velour, standing ped. (with stick hand brake)	63-66	225,--
3	426-3	carpet set black, standing pedals	63-69	235,--
3A	426-3A	carpet set black, hanging pedals	70-78	235,--
3B	426-3B	carpet set black, Berlina 1750 standing pedals	69-72	360,--
3C	426-3C	carpet set black, Berlina 2000, hanging pedals	72-77	360,--
3D	426-3D	carpet set anthracite, Berlina 1750 standing pedals	69-72	360,--
3F	426-3F	carpet set anthracite, hanging pedals, Berlina 2,0	72-77	360,--
4	426-4	insulating mat f. bottom one-sided coated with bitumen 0,50 x 1,00	64-78	20,--
4A	426-4A	set insulating mats (like pos. 4) 4-pieces	64-78	69,--
5	426-5	carpet set for luggage boot	64-78	200,--
5A	426-5A	carpet luggage boot, Berlina 1750/2000	69-77	325,--
6	426-6	set black rubber mat (5) for luggage boot bottom complete	63-77	650,--
6A	426-6A	rubber mat black for rear end metal sheet	63-78	120,--
6A1	426-6A1	rubber mat grey for rear end metal sheet	63-78	120,--
6B	426-6B	rubber mat for zone atop the rear axle	64-78	115,--
6C	426-6C	rubber mat for luggage boot, left	64-78	115,--
6D	426-6D	rubber mat for luggage boot, right	64-78	115,--
6E	426-6E	grey rubber mats (5) for luggage boot Berlina 1750/2000	64-78	650,--
7	426-7	set mats f. foot well black, 4 parts with Alfa emblem, stand. pedals	64-72	79,--
7A	426-7A	set mats f. foot well black, 4 parts with Alfa emblem, hang. pedals	72-78	79,--
8	426-8	tunnel covering, bell, 1300/1600, car without centre console	63-78	49,--
8A	426-8A	tunnel covering, bell, 1750/2000, car with centre console	69-78	49,--
13	426-13	rubber cuff below carpet	63-94	30,--
14	426-14	Rubber mat with Alfa emblem for trunk, black or gray, Giulia	63-78	210,--
14A	426-14A	Rubber mat with Alfa emblem for trunk, gray 1750/2000 Berlina	68-77	210,--



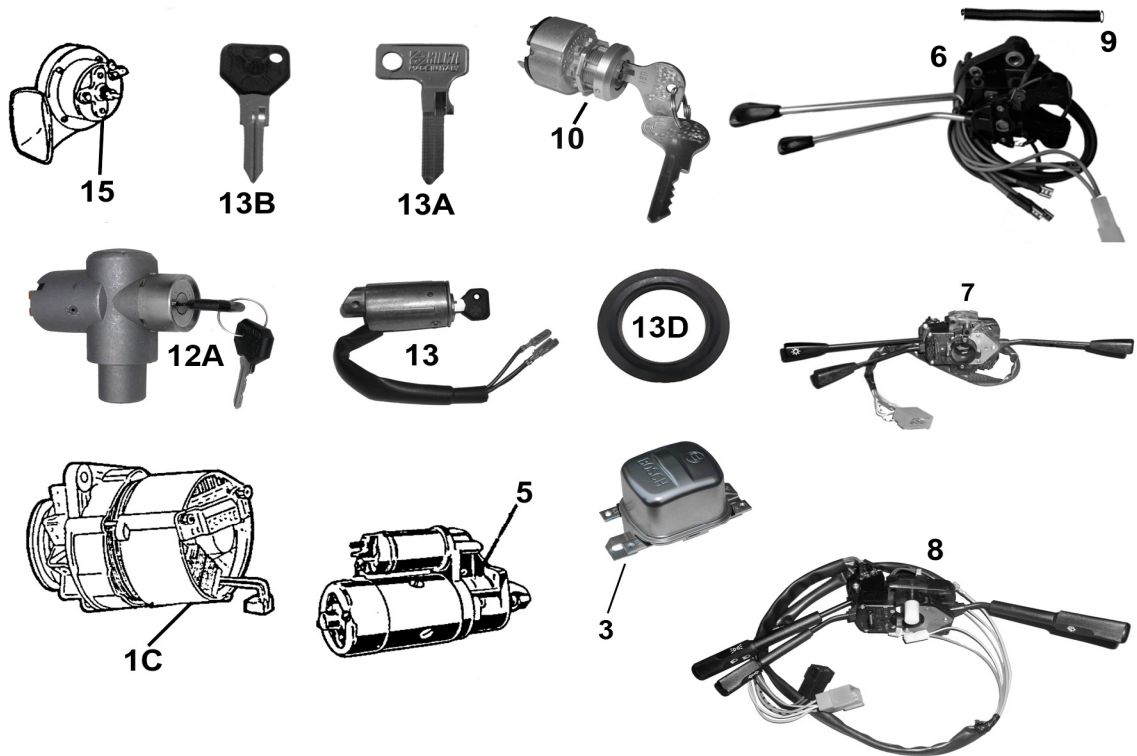
picture	order nr.	description	year of manufacture	price €
2	427-2	radio blind	67-78	75,--
2A	427-2A	fixation metal crank for radio blind	67-78	1,50
3	427-3	glove box belt buckle	63-78	not available
4	427-4	glove box lighting	63-78	10,--
5	427-5	switch for glove box lighting	63-78	8,--
6	427-6	repair set interior mirror	63-78	20,--
6A	427-6A	anti-vibration screw long for interior mirror (to clamp)	63-79	9,80
6B	427-6B	anti-vibration screw short for interior mirror (to screw)	63-79	12,--
6C	427-6C	interior mirror without base	63-77	98,--
7	427-7	ash tray	70-78	195,--
9	427-9	gear shift sack imit. leather, black, car without center cons.	63-69	35,--
9A	427-9A	gear shift sack leather, black, (car without center console)	63-69	45,--
11	427-11	gear shift sack, leather black for cars with center console	70-78	39,--
12	427-12	clamp for gear shift sack fastening	63-78	10,--
13	427-13	hand brake covering gum	63-78	79,--
13A	427-13A	hand brake covering Scai, black	64-78	27,--
14	427-14	fastening clamp for chrome blind on dashboard	63-78	1,50
15	427-15	writing Giulia	63-78	22,--
19	427-19	chrome ring, for small instruments	63-78	25,--
20	427-20	set wood inlay for dash board, upper, 2 pieces, Giulia ti	63-69	87,--
20A	427-20A	set wood inlay for dash board, upper, Giulia super	69-74	82,--
20B	427-20B	set upper wood inlay for dash board, Giulia super nuova	74-78	82,--
21	427-21	set lower wood covering for dash board, Giulia ti	63-69	70,--
21A	427-21A	set lower wood inlay for dash board	69-78	70,--
22	427-22	wood covering for deposit small, Giulia super	69-74	39,--
23	427-23	wood covering for big deposit, Giulia super	69-74	42,--
24	427-24	wood covering for center board Giulia super nuova	74-78	99,--
25	427-25	wood covering for deposit Giulia super nuova	74-78	45,--
26	427-26	plexi for lighting inside GT, Giulia	63-77	15,50
26A	427-26A	set plexi covers for lighting inside	71-77	47,90
27	427-27	set sun visors black, with mounting	63-77	115,--
27A	427-27A	set sun visors beige/black, with mounting	63-77	115,--



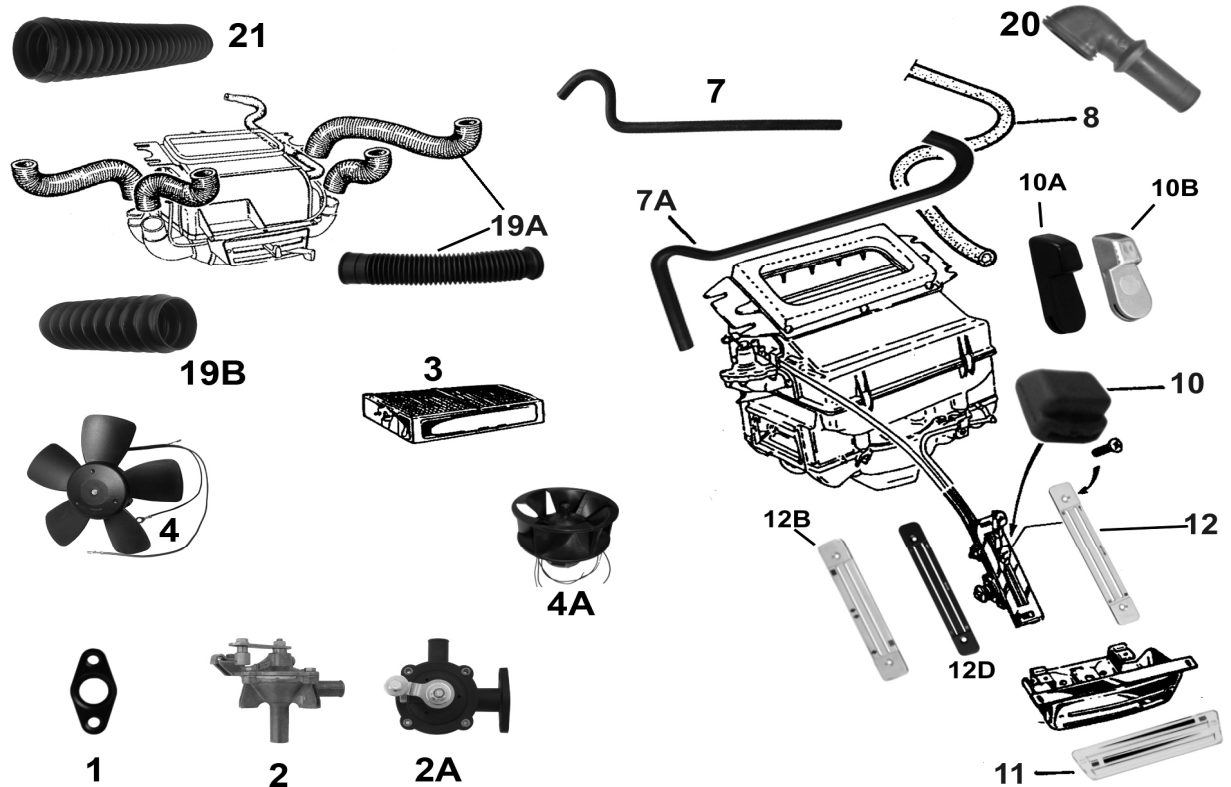
<u>Abb</u>	<u>item-nr.</u>	<u>Description</u>	<u>Year</u>	<u>Price</u> €
1	211-1	ignition distributor, new, no vacuum adjustment	63-77	296,--
1-1	211-1-1	ignition distributor, new, with vacuum adjustment	63-69	350,--
1A	211-1A	1+2+3 ignition distributor with low-pressure connection, incl. distributor cap		365,--
1B	211-1B	1+2+3 ignition distributor without low-pressure connection, incl. distributor cap		315,--
1K	211-1K	ignition distributor Bosch, new, with vacuum adjustment	87-89	325,--
1L	211-1L	ignition distributor Bosch, new, transistor ignition	90-94	350,--
1N	211-1N	oil seal for ignition distributor	63-94	2,90
2	211-2	set of ignition distributor covering	63-94	on request
3	211-3	big clip for cover	70-94	9,--
4	211-4	small clip for cover	70-94	6,90
5	211-5	set of ignition cables, green f. carburettor model	63-89	39,90
5A	211-5A	set of ignition cables, red silicone, with spark coil cover	66-89	39,90
5A1	211-5A1	set of ignition cables, black (carburetor)	64-89	39,90
5B	211-5B	set of ignition cables, Bosch 2,0 i.E.	90-94	89,--
5C	211-5C	set of ignition cables Spider carburettor model / 75	90-94	39,--
6	211-6	set of fastening for ignition cables	83-94	20,--
7	211-7	fastening for ignition cable	63-82	18,--
8	211-8	spark plug, 2HL golden lodge	63-94	60,--
8A	211-8A	spark plug, N. G. KB 7 ES	63-94	5,50
8B	211-8B	spark plug, Alfa (alternate 2HL) Marelli/Denso	63-94	5,60
9	211-9	spark coil, standard	64-94	35,--
9A	211-9A	spark coil, high-performance	63-89	115,--
9B	211-9B	spark coil, Spider i.E. / 75 / 164	90-94	70,--
10	211-10	spark coil cover	63-89	7,--
11	211-11	rubber cover for ignition plug	63-94	2,--



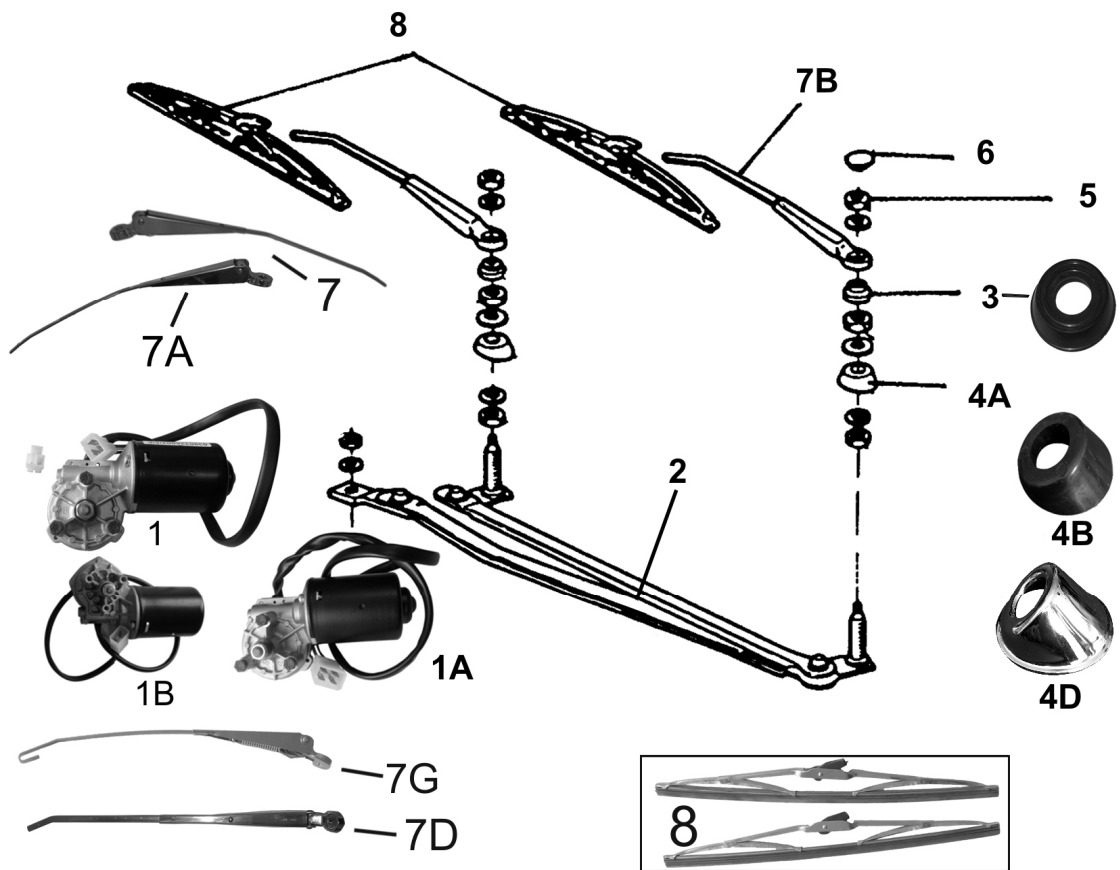
<u>Abb.</u>	<u>item-nr.</u>	<u>Description</u>	<u>Year</u>	<u>Price</u> €
1	212-1	cap for Bosch-distributor, Spider, GT, Giulia	63-74	15,--
1A	212-1A	cap for Bosch-distributor, Spider, GT, Giulia	74-94	16,--
1B	212-1B	cap for Marelli-distributor, Spider, GT, Giulia	67-87	23,50
1C	212-1C	cap for Marelli-distributor, with electronic ignition, Spider	80-90	22,50
2	212-2	distribution finger, for Bosch-distributor, Spider, GT, Bertone, Giulia	63-66	35,--
2A	212-2A	distribution finger, for Bosch-distributor, Spider	67-90	10,--
2B	212-2B	distribution finger, for Bosch-distributor, with spindle, 2.0 i.E.	90-94	53,--
2C	212-2C	distribution finger, for Marelli-distributor, Spider, GT, Giulia	67-90	11,50
2D	212-2D	distribution finger, for Marelli-distributor, for electronic ignition	77-89	11,50
3	212-3	ignition contact, for Bosch-distributor, 2-parts	64-68	17,--
3A	212-3A	ignition contact, for Bosch-distributor	68-90	9,--
3C	212-3C	ignition contact, for Marelli-distributor, spider	67-90	9,--
3D	212-3D	contactor with white cable, for Marelli-distributor	77-89	84,--
4	212-4	condenser, for Bosch-distributor	64-68	9,50
4A	212-4A	condenser, for Bosch-distributor	68-94	9,50
4B	212-4B	Condenser for Marelli-distributor	67-90	10,--
6	212-6	odometer element	90-94	500,--
12	212-12	controller for transistor ignition	77-89	103,--
13	212-13	controller (US)	86-89	824,--
13A	212-13A	controller	90-94	824,--
14	212-14	wiring harness and fuse box	87-89	750,--
14A	212-14A	wiring harness and fuse box, US	90-94	750,--
14B	212-14B	wiring harness and fuse box, (w. regulation of light range)	90-94	570,--
14C	212-14C	wiring harness Duetto	66-69	1050,--
14D	212-14D	wiring harness Spider	70-82	779,--
14E	212-14E	wiring harness GT 1300	66-69	650,--
14F	212-14F	wiring harness 1750, GTV	68-70	539,--
14G	212-14G	wiring harness Giulia	63-78	550,--
14H	212-14H	wiring harness 1750	70-72	639,--
14J	212-14J	wiring harness GT 2000	70-73	550,--
15	212-15	rubber cap for battery cable	63-94	5,--
17	212-17	fuse box with cap, 8 fuses	62-66	125,--
17A	212-17A	fuse box with cap / with 10 fuses	66-80	198,--
17B	212-17B	fuse box with cap, 22 connections		195,--
17C	212-17C	fuse box with cap, 21 connections		195,--
17D	212-17D	bracket for fuse box w.10 fuses		10,--



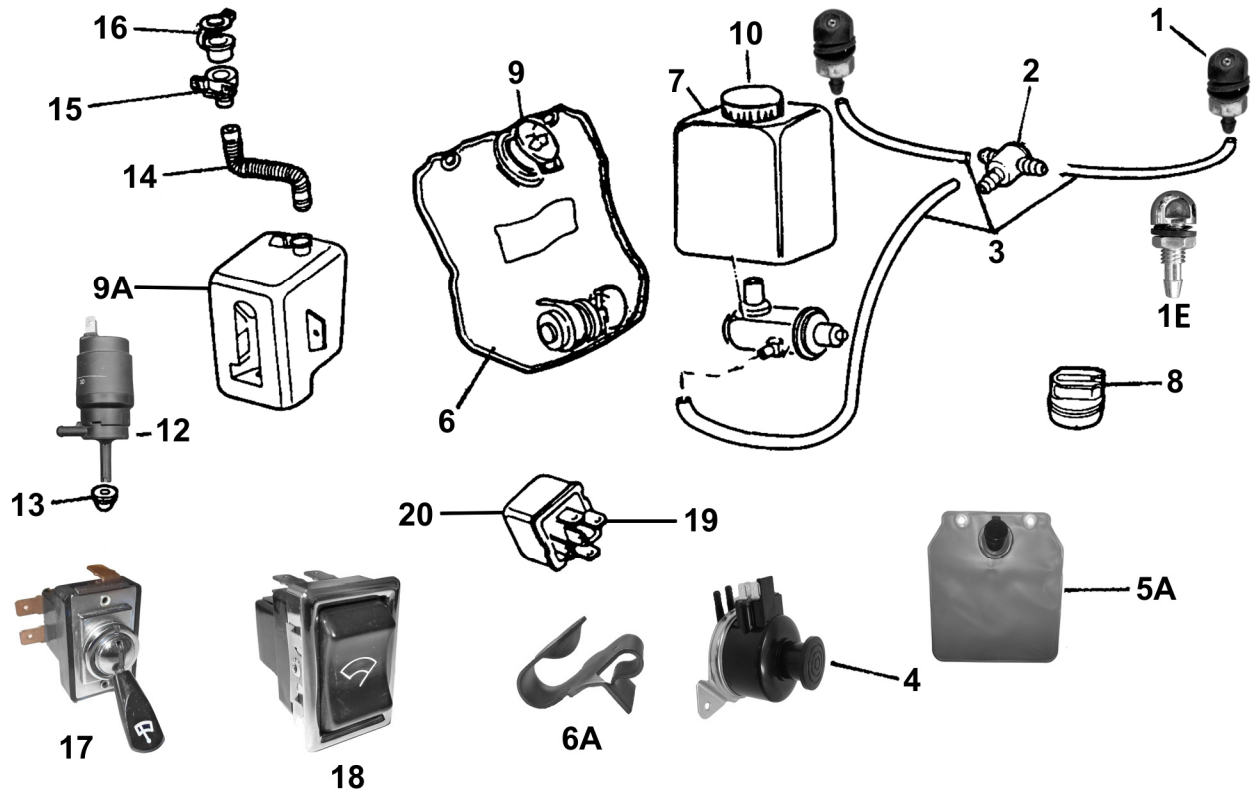
<u>Abb.</u>	<u>item-nr.</u>	<u>Description</u>	<u>Year</u>	<u>Price</u> €
1	213-1	generator replacement part, DC with external regulator	64-74	195,--
1B	213-1B	generator replacement part, coflow	63-67	395,--
1C	213-1C	generator and regulator	75-94	195,--
1D	213-1D	cover rubber f. generator or starter cable on the battery	63-94	4,50
1F	213-1F	pledge for replacement parts generator, will be paid back when the used part returns	63-94	100,--
3	213-3	voltage regulator, direct current, original Bosch	63-72	209,--
3A	213-3A	voltage regulator AC	70-80	46,--
3B	213-3B	voltage regulator AC	80-94	58,--
3C	213-3C	voltage regulator, direct current, type Bosch	60,72	98,--
4	213-4	spacer plate for starter motor (3 screw mounting)	67-89	11,--
5	213-5	starter, pinion with 8 cogs	63-72	195,--
5A	213-5A	starter, pinion with 9 cogs	70-89	195,--
5B	213-5B	starter, for injector models	90-94	258,--
5C	213-5C	fit bolt for starter / transmission system	63-94	7,--
5D	213-5D	pledge for replacement parts starter, will be paid back when the used part returns	63-94	100,--
6	213-6	turn signal combination switch, Spider	63-80	235,--
6A	213-6A	turn signal combination switch, Giulia, GT, Montreal, Zagato, Berlina (4 headlamps)	66-78	235,--
7	213-7	turn signal combination switch, Spider	79-86	239,--
7A	213-7A	turn signal combination switch, Alfetta, GTV	75-86	189,--
7B	213-7B	turn signal combination switch Spider	80-86	282,--
8	213-8	turn signal combination switch	87-94	284,90
9	213-9	spring for turn signal combination switch	63-80	6,90
10	213-10	ignition lock on dashboard	63-65	79,--
12A	213-12A	ignition lock, Bertone, Spider, Giulia, Zagato, Montreal	66-79	139,--
12B	213-12B	Ignition lock, Spider, Alfetta, GT, GTV, GTV6 with 4 cables	80-94	175,--
13	213-13	ignition lock, Spider, Alfetta, GTV, GTV6 with 3 cables	80-94	172,--
13A	213-13A	moulding blank for ignition key	66-79	7,--
13B	213-13B	moulding blank for ignition key	80-94	7,--
13D	213-13D	rubber ring for ignition lock	80-94	15,--
14	213-14	fuse set, 10 units	63-82	8,--
15A	213-15A	horn set	64-94	49,--



<u>Abb.</u>	<u>item-nr.</u>	<u>Description</u>	<u>Year</u>	<u>Price</u> €
1	214-1	gasket for heating valve	72-94	3,--
2	214-2	heating valve, (version metal housing)	63-74	53,70
2A	214-2A	heating valve, (version plastic housing)	74-94	52,80
3	214-3	heating cooler, (version metal valve)	63-74	135,--
3A	214-3A	heating cooler, (version plastic valve)	72-94	135,--
4	214-4	heating blower motor, two joints, round tail	63-69	129,--
4A	214-4A	heating blower motor, three joints	70-94	135,--
4B	214-4B	heater blower motor, without propeller Bertone, Giulia	69-78	148,--
5	214-5	gasket for heating box	63-69	37,--
6	214-6	air condition with motor, Spider	87-94	360,--
7	214-7	water hose, metal heating valve - aspiration bridge	63-74	12,50
7A	214-7A	water hose, plastic heating valve - aspiration bridge	74-94	15,--
8	214-8	water hose, heating - water pump	63-94	10,--
8A	214-8A	fixation clamp orig. Romablok (17-19 mm)	58-94	5,--
10	214-10	original black cap for heater actuation	63-86	6,--
10A	214-10A	black actuation cap for heater	87,94	10,--
10B	214-10B	chrome actuation cap for heater	63-87	10,--
10C	214-10C	actuating cable for heating	66-94	10,--
11	214-11	heater blind, plastic, Spider, Giulia, GT without centre console 1,3/1,6	66-78	59,--
12	214-12	chrome blind for heater actuation part, Spider, Bertone, Giulia, with centre console 1300/ 1600	70-86	36,--
12A	214-12A	chrome blind for heater actuation part	87-94	35,--
12B	214-12B	chrome blind f. heater actuation part, Bertone, without centre console	63-70	45,--
12C	214-12C	screw stainless steel f. heater actuation	63-94	1,30
12D	214-12D	Heater blind black, Spider, Giulia, Bertone with centre console	70-86	32,--
13	214-13	switch for heating blower, one-stage, 1300 / 1600 –round tail	66-69	65,--
14	214-14	switch for heating blower, one-stage, Giulia, Zagato	66-69	65,--
15	214-15	switch for heating blower, two-stage, Bertone, Giulia, Zagato	70-77	75,--
16	214-16	switch for heating blower, Spider 1750, 2000	70-80	110,--
17	214-17	rocker switch for heating blower, Spider	80-86	95,--
18	214-18	switch for heating blower, Spider	87-94	69,--
19	214-19	sideway outer fresh air hose, Spider	66-94	29,--
19A	214-19A	sideway long heating air hose, (rubber) Bertone	63-77	55,--
19B	214-19B	central fresh air hose, 11 cm, GT, Bertone	63-77	20,--
20	214-20	sideway central fresh air hose, 45 mm Ø, 50 cm long Spider 1300 /1600	66-94	110,--
21	214-21	air distribution hose 23 cm, Spider 1600, 2,0 > 79	79-94	30,--
22	214-22	ventilation hose short right or left, for air conditioner	87-94	21,--



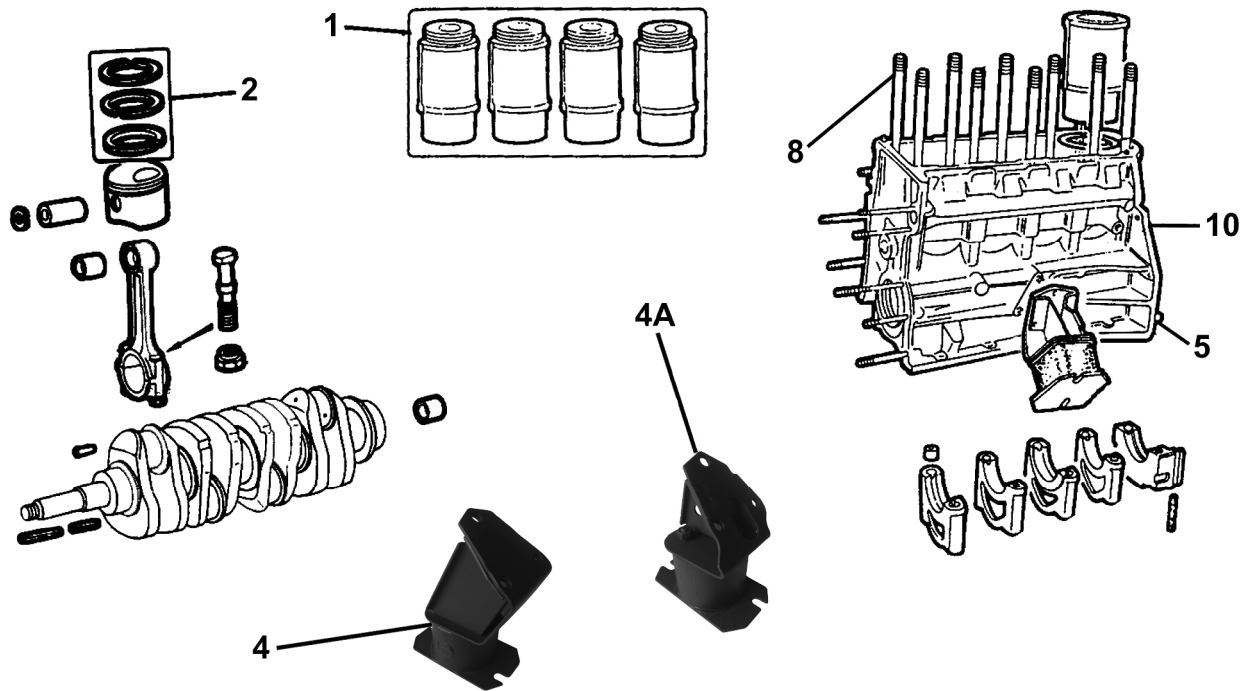
<u>Abb.</u>	<u>Item-nr.</u>	<u>Description</u>	<u>Year</u>	<u>Price</u> €
1	215-1	wiper motor, RH, GT, Giulia, (3 pins)	63-69	158,--
1-1	215-1-1	wiper motor, Giulia, GT (4 pins)	70-78	150,--
1A	215-1A	wiper motor, (4 plugs)	70-86	150,--
1B	215-1B	wiper motor, (5 plugs)	86-93	145,--
2	215-2	wiper linkage, Spider	70-94	210,--
2A	215-2A	wiper linkage, Giulia	63-77	169,--
2B	215-2B	wiper linkage, GT Bertone	63-77	230,--
2C	215-2C	wiper linkage, Spider Duetto	66-69	230,--
3	215-3	plastic ring for wiper shaft	70-94	4,60
4	215-4	cover rubber for wiper shaft, Spider 66-69, Giulia, Bertone	66-77	7,50
4A	215-4A	covering rubber for wiper shaft, Spider	70-94	8,--
4B	215-4B	guidance for wiper shaft	70-82	7,--
4C	215-4C	guidance for wiper shaft	83-94	12,--
4D	215-4D	chromed cover for wiper spindle	66-69	44,--
5	215-5	chrome cap nut for wiper arm	66-94	1,30
5A	215-5A	cap nut for wiper arm original shape	66-94	1,50
6	215-6	cap for wiper arm, Spider, Giulia, Bertone / for 215-5A	66-78	3,60
6A	215-6A	cap for wiper arm, for sliding, 105/115		5,50
7	215-7	set chrome wiper arm, Giulia, Bertone	63-78	40,--
7D	215-7D	set chrome wiper arms, Spider	70-94	39,--
7G	215-7G	set chrome wipers arm, hook mounting, Spider	66-69	40,--
8	215-8	set of wiper blades, chrome, hook mounting 33 cm - round t.	66-69	30,--
8A	215-8A	set of wiper blades, chrome, Giulia, Bertone 33 cm - round t.	63-78	30,--
8B	215-8B	set of chrome wiper blades, 39 cm, 7m wide	70-94	30,--
8C	215-8C	set of wiper blade, black, 9 x 2.5 mm incl. adapter, Bosch system	83-94	49,--
8D	215-8D	set of wiper blades, black, Spider, 7mm base broadness	70-94	39,--
9	215-9	set of wiper arms and blades, chrome, GT, Giulia	63-78	65,--
9A	215-9A	set of wiper arms and blades, chrome, Spider	70-94	65,--



<u>Abb.</u>	<u>item.nr.</u>	<u>Description</u>	<u>Year</u>	<u>Price</u> €
1	216-1	plastic spray nozzle, black (screw mounting) Spider	66-94	6,-- €
1B	216-1B	chromed metal spray nozzle, Spider	70-94	19,--
1C	216-1C	black plastic spray nozzle, dual-trace, Giulia, Bertone	66-77	9,--
1E	216-1E	chromed plastic spray nozzle, dual-trace, Giulia, Bertone	63-77	11,--
1F	216-1F	chromed metal spray nozzle, round tail	66-69	15,--
2	216-2	distributor for spray nozzle	63-94	4,--
3	216-3	water hose, 1m	66-94	3,29
4	216-4	foot pump, plastic housing	63-78	65,--
5A	216-5A	water bag for wiper system	63-80	21,--
6	216-6	water bag for wiper system with pump	70-94	49,--
6A	216-6A	retaining clamp for water bag GT, Giulia, Spider till 80	63-80	2,90
7	216-7	water supply tank with pump	80-89	55,--
8	216-8	water tank with electric pump	63-72	3,50
9	216-9	closing for water bag	72-80	3,50
9A	216-9A	water supply tank	90-93	60,--
12	216-12	pump for water supply tank	90-94	37,--
14	216-14	filler hose for tank	86-94	12,--
15	216-15	clamping collar for filler hose	86-94	8,--
16	216-16	top cover for filler hose	86-94	15,--
17	216-17	switch for wiper, Giulia, Bertone, Zagato 1300/1600 - round tail	64-77	75,--
18	216-18	switch for wiper, Spider 1750 / 2000	70-80	110,--
19	216-19	air gap switch for wiper motor	86-94	45,--
20	216-20	wiper relay	87-90	28,20



<u>Abb.</u>	<u>item.nr.</u>	<u>Description</u>	<u>Year</u>	<u>Price</u> €
1	217-1	switch for wiper, Giulia, Bertone - round rear end	63-78	75,--
2	217-2	switch for wiper, Spider 1300/1600, GT 1750-2000	66-78	75,--
3	217-3	switch for wiper, Spider 2000	70-80	110,--
3A	217-3A	switch for rear window, hardtop	70-80	85,--
5	217-5	switch for hazard warning lights, round press button	70-80	95,--
5A	217-5A	switch for rear window, Giulia + GT	66-77	85,--
6	217-6	squared red rocker switch for hazard warning lights	80-83	86,--
7	217-7	squared black rocker switch for hazard warning lights, Spider + GTV6	83-86	65,--
8	217-8	turn light relay with 3 attachments	63-86	30,--
8A	217-8A	turn light relay, rectangular, 4 Connectors	87-94	25,--
8B	217-8B	turn light relay, rectangular, 5 Connectors	87-94	45,--
10	217-10	switch for heating blower, one-stage, 1300 / 1600 - round tail	66-69	65,--
10A	217-10A	switch for heating blower, two-stage, Bertone, Giulia	66-77	75,--
10B	217-10B	switch for heating blower, one-stage, GT, Bertone, Giulia		75,--
11	217-11	switch for heating blower, Spider	70-80	110,--
12	217-12	green rocker switch for heating blower, Spider	80-86	95,--
13	217-13	switch for heating blower, Spider	87-94	69,--
14	217-14	switch for instruments lighting 1300/1600	63-78	69,--
15	217-15	switch for instrument lighting, Spider 1750/2000, Montreal	70-80	88,--
16	217-16	switch for instrument lighting, Spider	80-86	85,--
17	217-17	switch for instrument lighting	86-94	on request
18	217-18	headlight range adjustment	90-94	65,--
20	217-20	switch for fog tail lamp	70-82	88,--
21	217-21	control switch for engine and boot	87-94	10,--
22	217-22	touch sensitive switch for door (Spider)	66-94	13,--
23	217-23	touch sensitive switch for door (Bertone)	63-67	10,--
23A	217-23A	touch sensitive switch for door Giulia, Berlina	63-78	6,90
24	217-24	radio antenna, electronic, Alfa original	87-94	230,--
25	217-25	dimmer for instrument lighting	80-86	49,--
26	217-26	warning light red for brake liquid	87-94	25,--
27	217-27	hazard switch retrofit kit	63-75	79,--



<u>Abb.</u>	<u>Item.nr.</u>	<u>Description</u>	<u>Year</u>	<u>Price</u> €
1	256-1	set of pistons with rings, pins + cylinder sleeves 1300		549,--
1A	256-1A	set of pistons with rings, pins + cylinder sleeves 1600		549,--
1B	256-1B	set of pistons with rings, pins + cylinder sleeves 1750		549,--
1C	256-1C	set of pistons with rings, pins + cylinder sleeves 2000		549,--
1D	256-1D	set of sportive pistons with cylinder sleeves 2,0 compaction ca.10,4:1		660,--
1E	256-1E	set of pistons with rings, pins and cylinder sleeves 2,0 i.E.	90-94	690,--
2	256-2	set of piston rings 1300, (f.4 pistons) 1,5/1,75/4,0, 74 mm	63-82	140,--
2A	256-2A	set of piston rings 1600, (f.4 pistons) 1,5/1,75/3,5, 78 mm	66-94	140,--
2B	256-2B	set of piston rings 1600, (f.4 pistons) 1,5/1,75/4,0, 78 mm	66-94	140,--
2C	256-2C	set of piston rings 1750, (f.4 pistons) 1,5/1,75/3,5, 80 mm		140,--
2D	256-2D	set of piston rings 1750, (f.4 pistons) 1,5/1,75/4,0, 80 mm		140,--
2E	256-2E	set of piston rings 2000, (f.4 pistons) 1,5/1,75/4,0, 84 mm	70-94	140,--
2F	256-2F	set of piston rings 2000, (f.4 pistons) 1,5/1,75/4,5, 84 mm	70-94	140,--
2G	256-2G	set of piston rings 1300, (for 4 pistons) 2,0/2,0/4,0, 74 mm	54-60	140,--
3	256-3	gasket for cylinder sleeve, 1300	63-78	2,10
3A	256-3A	gasket for cylinder sleeve, 1600, 1750	63-94	2,10
3B	256-3B	gasket for cylinder sleeve, 2000	70-94	2,10
4	256-4	engine mount, LH	63-94	45,--
4A	256-4A	engine mount, RH	63-94	45,--
4B	256-4B	motor rubber bearing, (racing) 75 shore	63-89	115,--
5	256-5	locating pin for engine block, transmission system	63-94	3,90
5A	256-5A	locating pin for engine block, front	63-94	3,--
6	256-6	dowel pin for engine, transmission system, LH	63-94	5,50
7	256-7	dowel pin for engine, transmission system, RH	63-94	5,50
8	256-8	dowel pin for engine, cylinder head M. 12,1750-2000	68-94	26,--
8A	256-8A	dowel pin for engine, 1300	63-78	29,--
8B	256-8B	dowel pin for engine, cylinder head M. 11 -1600	63-94	29,--
10E	256-10E	used engines and parts on request		

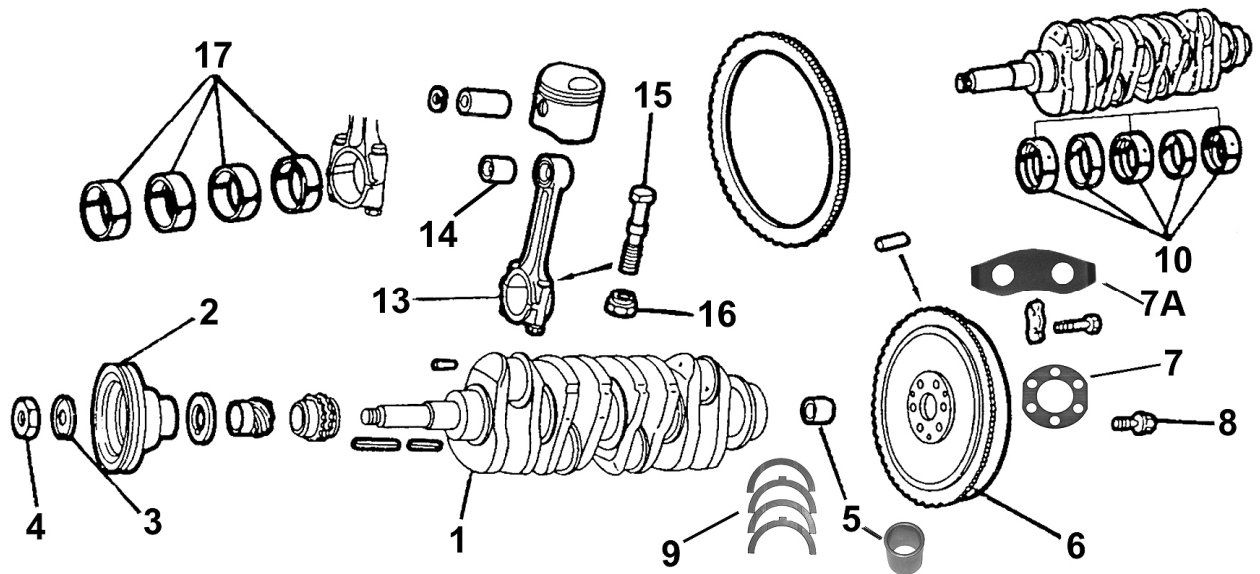
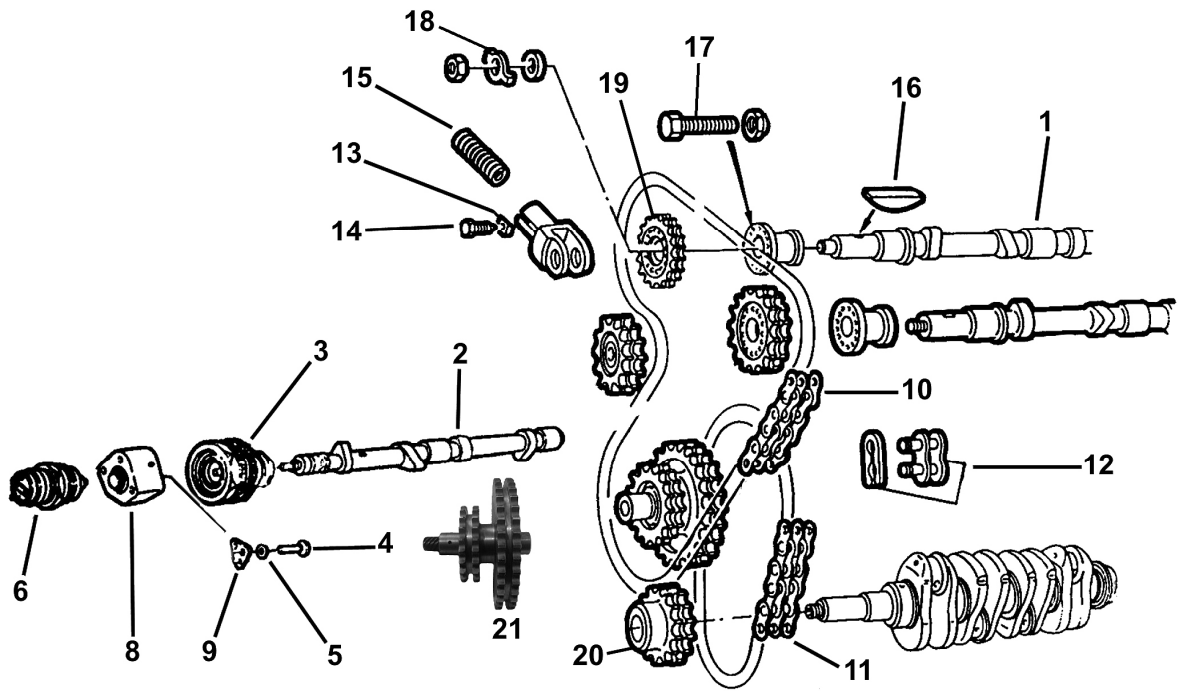
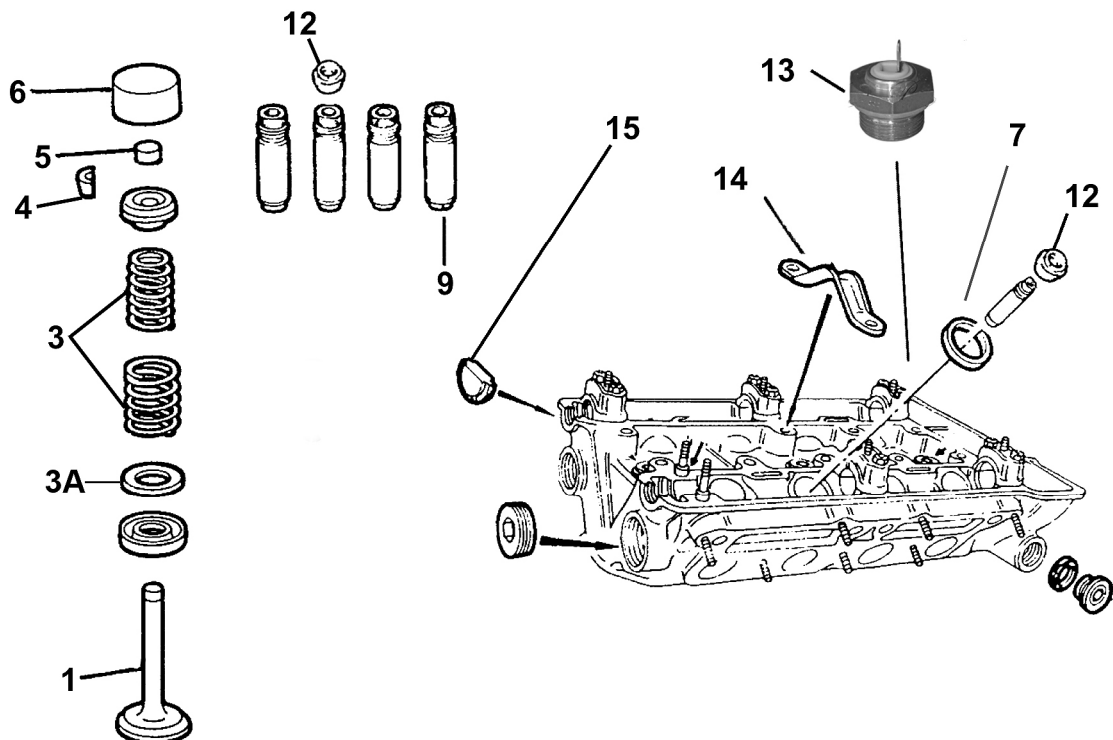


Abb.	Item-nr.	Description	Year	Price
1	257-1	crankshaft new 1600	66-89	1180,-- €
1A	257-1A	crankshaft new 2000	70-94	1250,--
2	257-2	used belt pulley, steel, 105 mm	90-94	195,--
3	257-3	security plate for belt pulley	63-94	5,--
4	257-4	fixation nut for belt pulley	63-89	17,--
4A	257-4A	fixation nut for belt pulley 2.0 i.E.	90-94	10,--
5	257-5	guiding bush for crankshaft, transmission system, 20 mm, 1750	67-72	9,80
5A	257-5A	guiding bush f. crankshaft, transmission system, 20 mm, 1300/1600/2000	63-94	9,--
6	257-6	fly wheel, 6 holes, 130 teeth, 7,3 kilo optimal, hydraulic clutch	70-89	590,--
6A	257-6A	fly wheel, 8 holes 110 teeth, 6,25 kilo optimal	63-78	521,--
6B	257-6B	gear rim for flywheel 130 teeth		120,--
6C	257-6C	annulus for fly wheel, 110 teeth	63-89	120,--
7	257-7	safety plate for fly wheel 6 holes	75-94	8,--
7A	257-7A	safety plate for fly wheel 8 holes	63-78	3,30
8	257-8	screw for fly wheel 6 holes	75-94	9,--
8A	257-8A	screw for fly wheel 8 holes	63-78	7,50
9	257-9	set of washer disks, standard	63-94	19,50
9A	257-9A	set of thrust washers 1. Oversize		24,--
10	257-10	main bearing set, 1300-2000	63-94	59,--
10A	257-10A	main bearing set, 1300-2000 first oversize 0,10	63-94	68,--
10B	257-10B	main bearing set, 1300-2000, 2nd oversize 0,20	63-94	68,--
11	257-11	safety plate for 1 / 2 / 3 / 4 main bearing	63-94	1,70
11A	257-11A	safety plate for 5. Main bearing	63-94	1,50
12	257-12	rubber cylinder for 5th bearing set	63-94	3,--
13	257-13	connecting rod 1750/2000	70-94	145,--
14	257-14	bush for con rod 1300	63-78	21,--
14A	257-14A	bush for con rod 1600 / 1750 / 2000	66-94	22,--
15	257-15	screw for con rod 1300	63-78	25,--
15A	257-15A	screw for con rod 1600 / 1750 / 2000	67-94	25,--
16	257-16	nut for con rod screw 1300	66-94	4,--
16A	257-16A	nut for con rod screw 1600 / 1750 / 2000	67-94	4,50
16B	257-16B	safety plate for nut 1300	63-78	1,30
16C	257-16C	safety plate for nut 1600 / 1750 / 2000	67-94	1,30
17	257-17	big end bearing set, standard 1300	63-78	80,--
17A	257-17A	big end bearing set, first oversize 0,10, 1300	63-78	81,--
17A1	257-17A1	big end bearing set, 2nd oversize 0,20, 1300	63-78	85,--
17B	257-17B	big end bearing set, standard 1600 / 1750 / 2000	66-94	55,--
17C	257-17C	big end bearing set, first oversize 0,10, 1600 / 1750 / 2000	63-94	54,--
17D	257-17D	big end bearing set, 2nd oversize 0,20, 1600-2000	63-94	59,--
18	257-18	set safety plates f. main bearing, camshaft, belt pulley	63-94	22,--

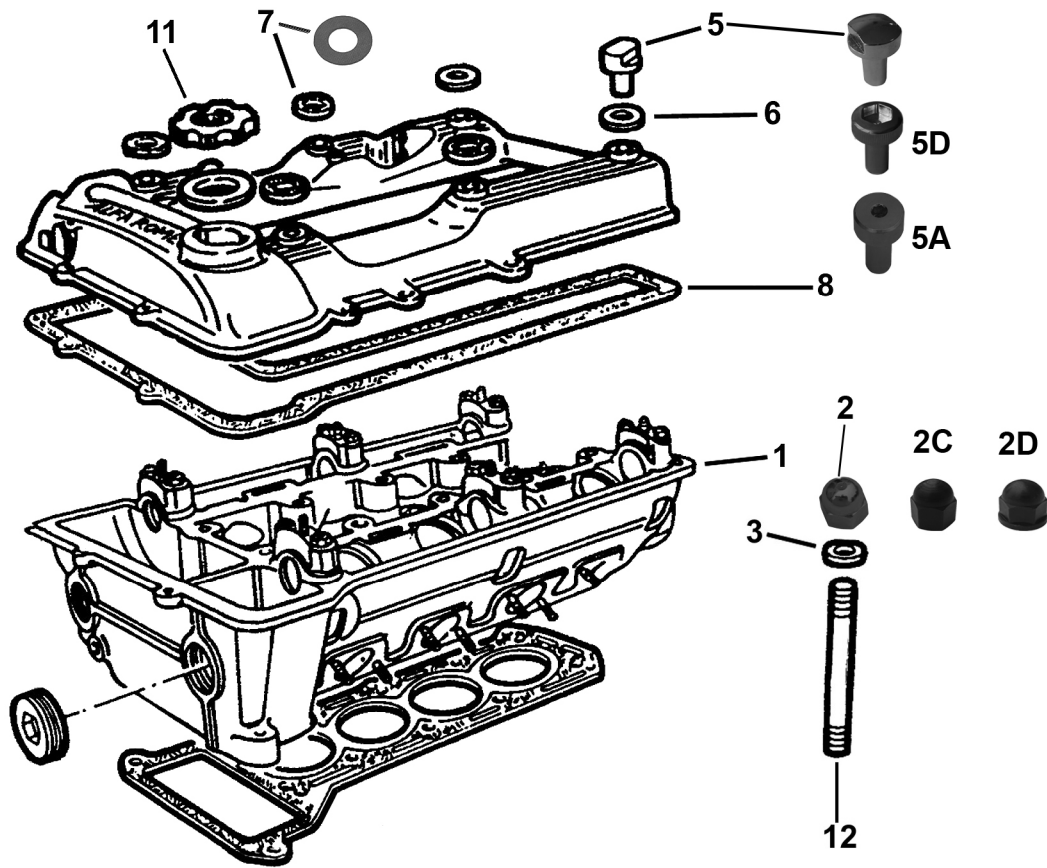


<u>Abb.</u>	<u>Item-nr.</u>	<u>Description</u>	<u>Year</u>	<u>Price</u> €
1	258-1	camshaft 1300 / 1600 – carburettor (Hub 9,50) intake + outlet		290,--
1A	258-1A	camshaft 1750 / 2.0 - carburettor (series 105.48 /131PS = 96,35kW)	68-82	290,--
1B	258-1B	set of sportive camshafts 297 grad /11,6	63-89	595,--
1C	258-1C	camshaft, outlet 2000, injection		295,--
1D	258-1D	camshaft intake 1750 / 2,0 (2,0 i.E. only outlet)	68-94	295,--
2	258-2	camshaft intake with phase setting 2000 i.E.	87-94	320,--
3	258-3	phase setting for intake of camshaft 2000 i.E.	87-94	599,--
6	258-6	magnetic switch for phase setting 2000 i.E.	90-94	169,--
9A	258-9A	long camshaft timing chain with chain lock, 1300	63-83	35,--
10	258-10	long camshaft timing chain with chain lock, 1600	63-94	35,--
10A	258-10A	long camshaft timing chain with chain lock, 1750 / 2000	70-90	37,--
10B	258-10B	camshaft timing chain 1750 / 2000, Iwis	70-94	74,--
10C	258-10C	long camshaft timing with chain lock 1600, Iwis		73,--
10D	258-10D	timing chain long, Iwis, 1300, adaptation for 750 possible		73,--
11	258-11	short camshaft timing chain, 750,101,105,115,116,75	63-94	20,--
11A	258-11A	short camshaft timing chain, Iwis 1750/2000	63-94	39,--
12	258-12	chain lock	63-94	4,50
13	258-13	spline for chain tensioner	63-94	4,--
14	258-14	screw for chain tensioner	63-94	6,50
15	258-15	spring for chain tensioner	63-94	7,--
16	258-16	spline for camshaft	63-94	4,--
17	258-17	fixation screw for camshaft	63-94	4,--
17A	258-17A	fixation nut for screw	66-94	1,--
18	258-18	security plate for camshaft	63-94	2,50
18A	258-18A	fixation nut for chain wheel	63-94	2,10
20	258-20	cog wheel for camshaft timing chain on crankshaft	63-94	99,--
21A	258-21A	distance disk, brass for item 258-21	63-94	14,--
21B	258-21B	cog wheel, long f. timing chain without pinion for rotational-speed sensor	82-94	249,--

used parts on request



<u>Abb.</u>	<u>Item.nr.</u>	<u>Description</u>	<u>Year</u>	<u>Price</u> €
1	259-1	intake valve 1300	63-82	14,--
1A	259-1A	intake valve 1600 /01750	66-89	11,--
1B	259-1B	intake valve 2000	70-89	17,--
1C	259-1C	intake valve 2000 i.E	90-94	16,50
2	259-2	outlet valve, chrome steel, 1300	63-82	16,50
2B	259-2B	outlet valve, chrome steel, 1600 / 1750	63-77	16,--
2D	259-2D	outlet valve, chrome steel, 2000	70-94	16,--
3	259-3	set valve spring 16 pieces	63-94	62,--
3A	259-3A	basis for spring	63-94	2,50
3B	259-3B	disc for valve spring	63-94	On request
4	259-4	cutter valve 9mm	63-94	2,50
5	259-5	valve adjusting dies (specify the size!)	63-94	11,80
5A	259-5A	valve adjusting dies (205 pieces) 1,5-2,5	63-94	460,--
5B	259-5B	valve adjusting dies (205 pieces) 2,525-3,5	63-94	460,--
6	259-6	valve lifter (beaker)	63-94	21,50
7	259-7	valve seat, intake 1300, non-leaded	63-94	13,50
7A	259-7A	valve seat, intake 1600 / 1750, non-leaded	63-94	13,50
7B	259-7B	valve seat, intake 2000, non-leaded	63-94	14,50
7C	259-7C	valve seat, intake 1300, 1. over	57-78	15,--
7D	259-7D	valve seat, intake1600/17500, 1. over	60-64	15,--
8	259-8	valve seat, outlet 1300, non-leaded	63-94	13,50
8A	259-8A	valve seat, outlet 1600 / 1750, non-leaded	63-94	13,50
8B	259-8B	valve seat, outlet 2000, non-leaded	63-94	14,50
9	259-9	valve guide, intake, standard, carburettor model	63-94	10,65
9A	259-9A	valve guide, intake, first oversize 51x14,10x9	63-94	12,90
10	259-10	valve guide, outlet, standard	63-94	9,65
10A	259-10A	valve guide, outlet, first oversize 54x14,10x9	63-94	12,90
11	259-11	valve guide, intake and outlet, injection engine	88-94	10,50
12	259-12	valve stem seal, carburettor model	63-94	3,20
12A	259-12A	valve stem seal, strengthened, Alfa with spring	63-94	5,40
12B	259-12B	valve stem seal, injection engine	90-94	5,50
13	259-13	temperature sensor to cylinder head	87-94	29,--
14	259-14	mounting clip for cylinder head	63-94	18,--
15	259-15	crescent gasket	63-94	2,30
16	259-16	lower alloy for cylinder head	63-94	19,--



<u>Abb.</u>	<u>Item-nr.</u>	<u>Description</u>	<u>Year</u>	<u>Price</u> €
1E	260-1E	cylinder head 1750 part, complete with camshaft + valves	67-75	2300,--
1F	260-1F	pledge for position 1A till 1D	63-94	400,--
2	260-2	cap nut chromed for cylinder head, tool size 19	70-94	8,50
2A	260-2A	chromed cap nut for cylinder head, tool size 17, 1300/1600	63-94	8,50
2B	260-2B	non chromed cap nut for cylinder head, tool size 19, 2,0		9,--
2C	260-2C	cap nut for cylinder head, tool size 17, 1300/1600	54-78	8,50
2D	260-2D	cap nut for cylinder head with integrated flat washer, tool size 17, 1300/1600	54-69	9,50
2E	260-2E	cap nut for cylinder head with integrated flat washer, tool size 19, Montreal	70-77	8,50
3	260-3	washer for cap nut	63-94	1,55
5	260-5	valve cover nut chrome-plated 1600-2000	70-94	8,50
5A	260-5A	chromed Allen nut for valve cap 1600-2000	70-94	8,--
5D	260-5D	screw nut for valve cap chromed 1300-1600	54-68	23,--
5E	260-5E	black screw nut for valve cap 1300/1600	54-68	22,--
6	260-6	washer (alloy) for screw on cam cover	66-94	1,50
7	260-7	paper washer for Allen nut, valve cap	63-94	1,50
8	260-8	valve cap gasket with silicon underlay	63-94	21,--
8A	260-8A	Reinz valve cap gasket, strengthened	63-94	37,80
8B	260-8B	valve cap gasket 1300/1600 without nose		22,--
9	260-9	gasket crankcase connection, venting valve cover		2,50
11	260-11	metal oil filler cap	63-86	9,50
11A	260-11A	chromed metal oil filler cap	63-86	17,90
11B	260-11B	plastic pill filler cap	87-94	48,--
11C	260-11C	gasket for pill filler cap	58-89	4,--
12	260-12	mounting bolt for cylinder head, 1750/2000	70-94	26,--
12A	260-12A	mounting bolt for cylinder head,1600	68-89	29,--
12B	260-12B	mounting bolt for cylinder head, 1300	63-82	29,--
13	260-13	thread nut, carburettor head, exhaust manifold	63-94	1,85
14A	260-14A	fine thread nut 8 x 1, wrasse	63-94	1,--
14B	260-14B	fine thread nut 8 x 1, steel, carburettor fixation	63-89	1,--
15	260-15	Allen screw for cylinder head	63-94	23,--
16	260-16	set sealing rings for cylinder head	63-94	6,--

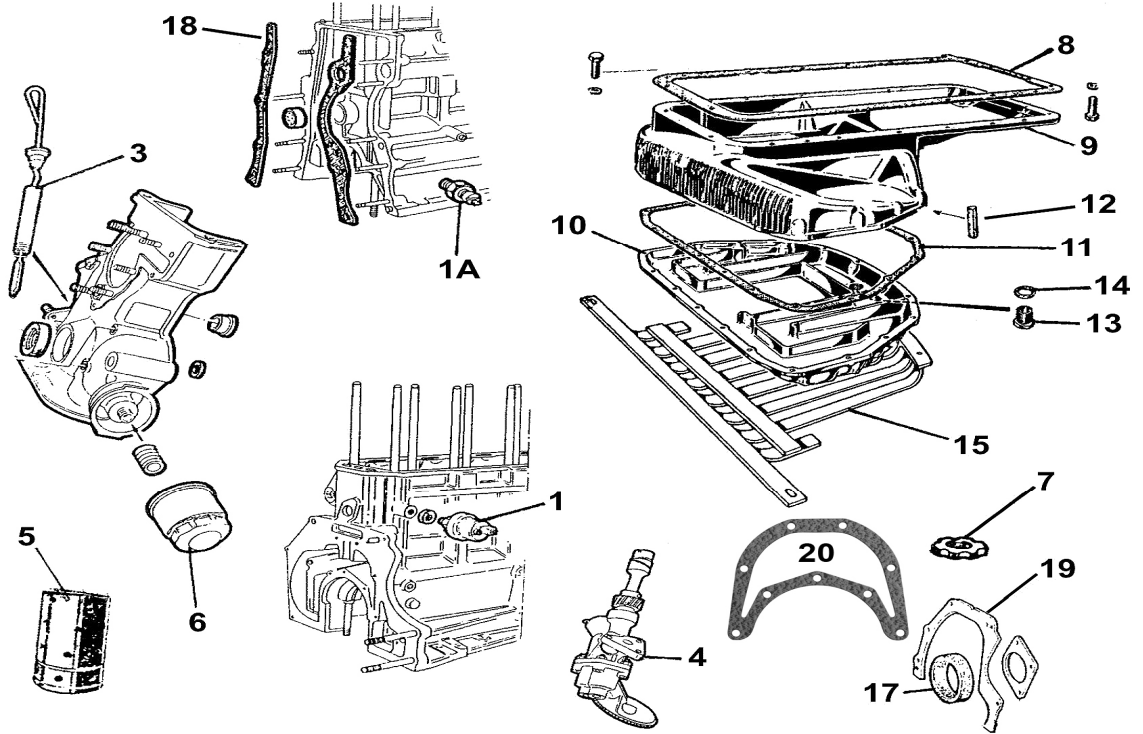
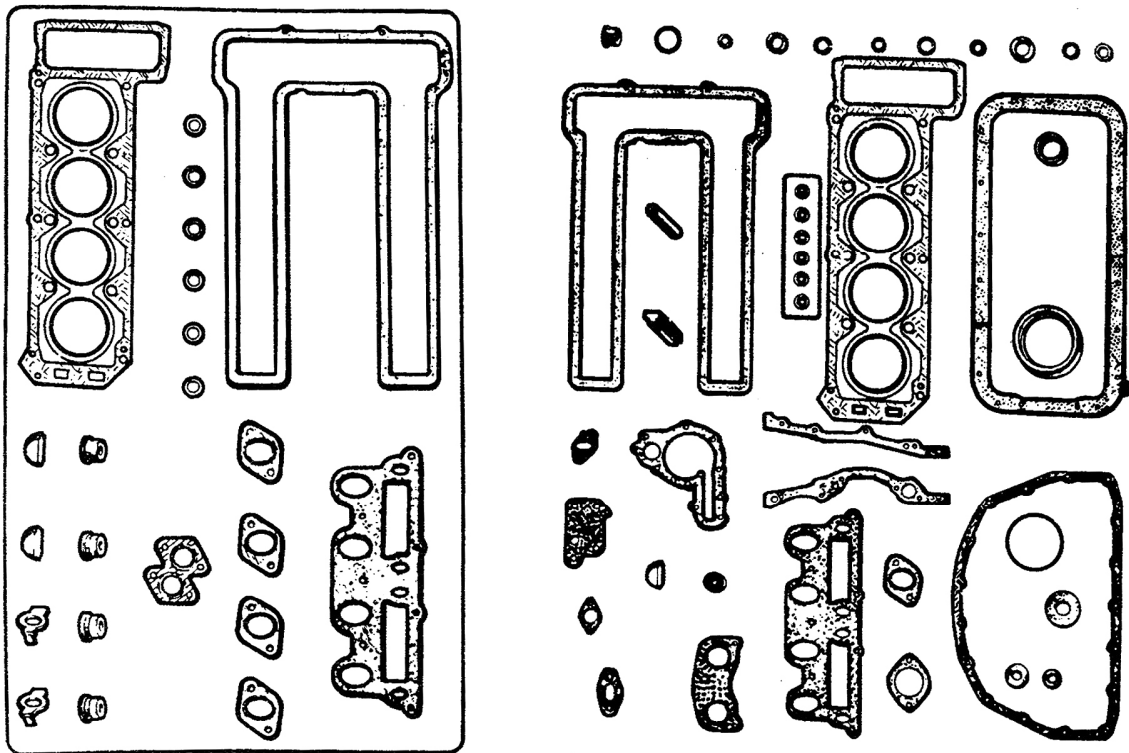
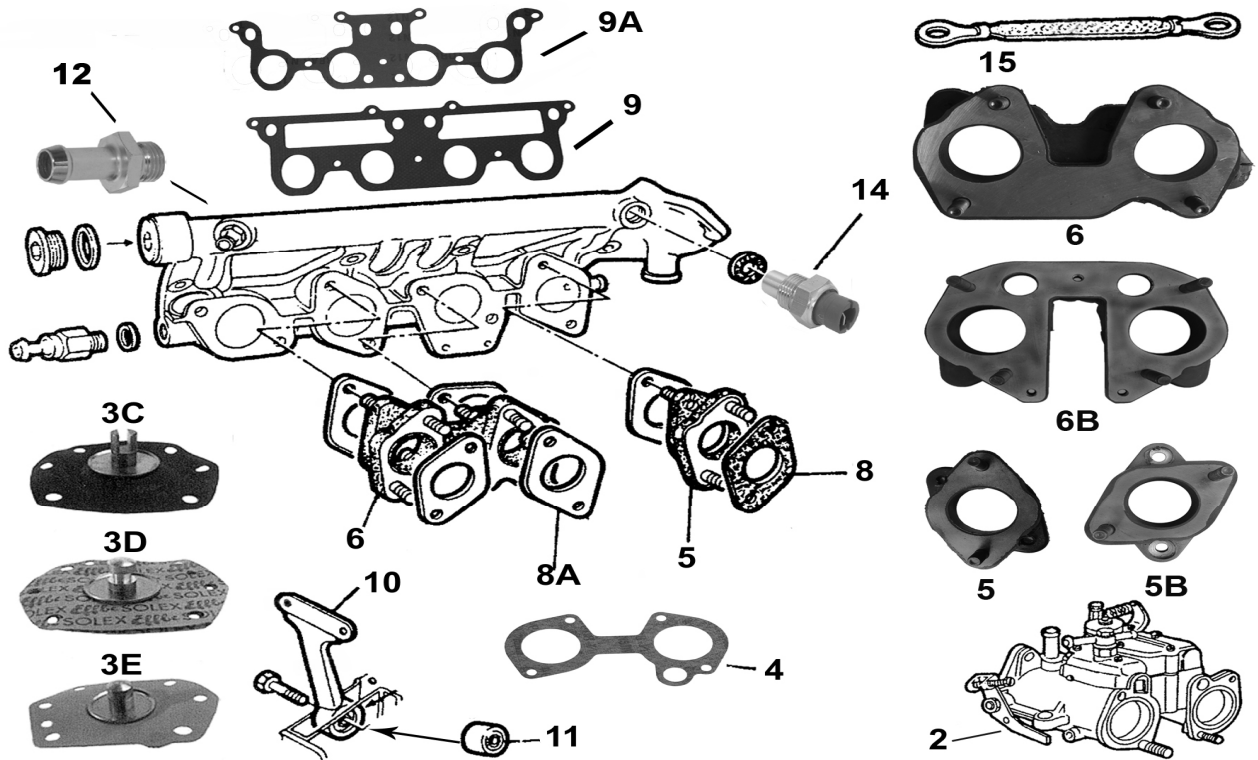


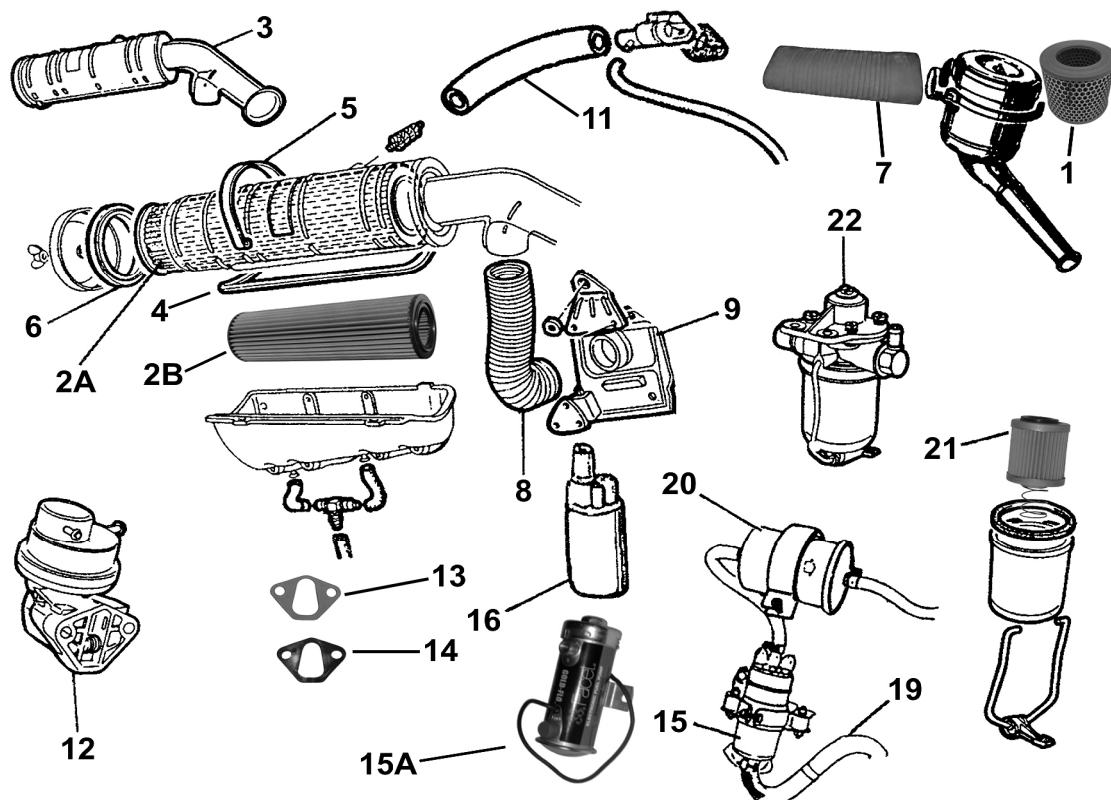
Abb.	Item-nr.	Description	Year	Price €
1	261-1	oil pressure sensor, first series	63-71	49,--
1A	261-1A	oil pressure sensor, second series	68-94	58,--
1B	261-1B	oil pressure switch for control lamp at lower left	63-89	15,80
1C	261-1C	oil pressure sensor 1. series, Idrostop original	63-71	79,--
1D	261-1D	oil pressure sensor 2. series, Veglia original	68-94	79,--
3	261-3	oil dipstick, carburettor models	63-87	36,--
3A	261-3A	oil dipstick, injection models	90-94	22,--
4	261-4	oil pump 2. series	66-94	300,--
4A	261-4A	rubber rings for oil pump	63-94	1,50
4B	261-4B	oil pump original	63-65	495,--
4C	261-4C	paper seal for oil pump	57-94	3,--
5	261-5	oil filter inserts, 1300 / 1750	64-70	12,90
6	261-6	oil filter cartridge with gasket, all models	70-94	9,50
6A	261-6A	oil filter cartridge, Alfa original	70-94	13,50
7	261-7	gasket oil filter flange (1. Serie) 750/101/105		4,50
8	261-8	gasket for upper oil pan	64-94	28,--
8A	261-8A	gasket for upper oil pan Reinz	63-94	35,--
9	261-9	upper part of oil pan	63-94	280,--
10	261-10	lower part of oil pan	67-94	196,--
10A	261-10A	lower part of oil pan, flat construction	63-67	240,--
11	261-11	gasket for lower part of oil pan	64-94	6,50
11A	261-11A	gasket for lower part of oil pan Reinz		21,--
12	261-12	gasket, tee	64-94	4,--
13	261-13	gasket, tee	64-94	11,50
14	261-14	washer for oil-drain plug	64-94	1,60
15	261-15	oil pan protection, zinc plated	64-94	99,--
16	261-16	oil seal, engine, front	64-94	8,--
17	261-17	oil seal, crankshaft, back, 82/105/12 Alfetta, GTV 116, Montreal	64-89	18,--
17A	261-17A	oil seal, crankshaft, back, 84/105/12 Spider 90-94, GTV6, 155, 164, 75, 166, 156	90-94	23,--
18	261-18	set gaskets for control system housing, RH and LH 1300	63-82	8,--
18A	261-18A	set gaskets for control system housing 1600	66-89	8,--
18B	261-18B	set gaskets for control system housing 1750 / 2000	67-94	8,--
19	261-19	spacer plate, engine / transmission system	63-94	69,--
20	261-20	gasket for bearing cover rear	63-94	3,80
21	261-21	sealing ring on engine block f. ignition distributor	63-94	3,--
22	261-22	rubber ring for oil duct, 101/105		2,--



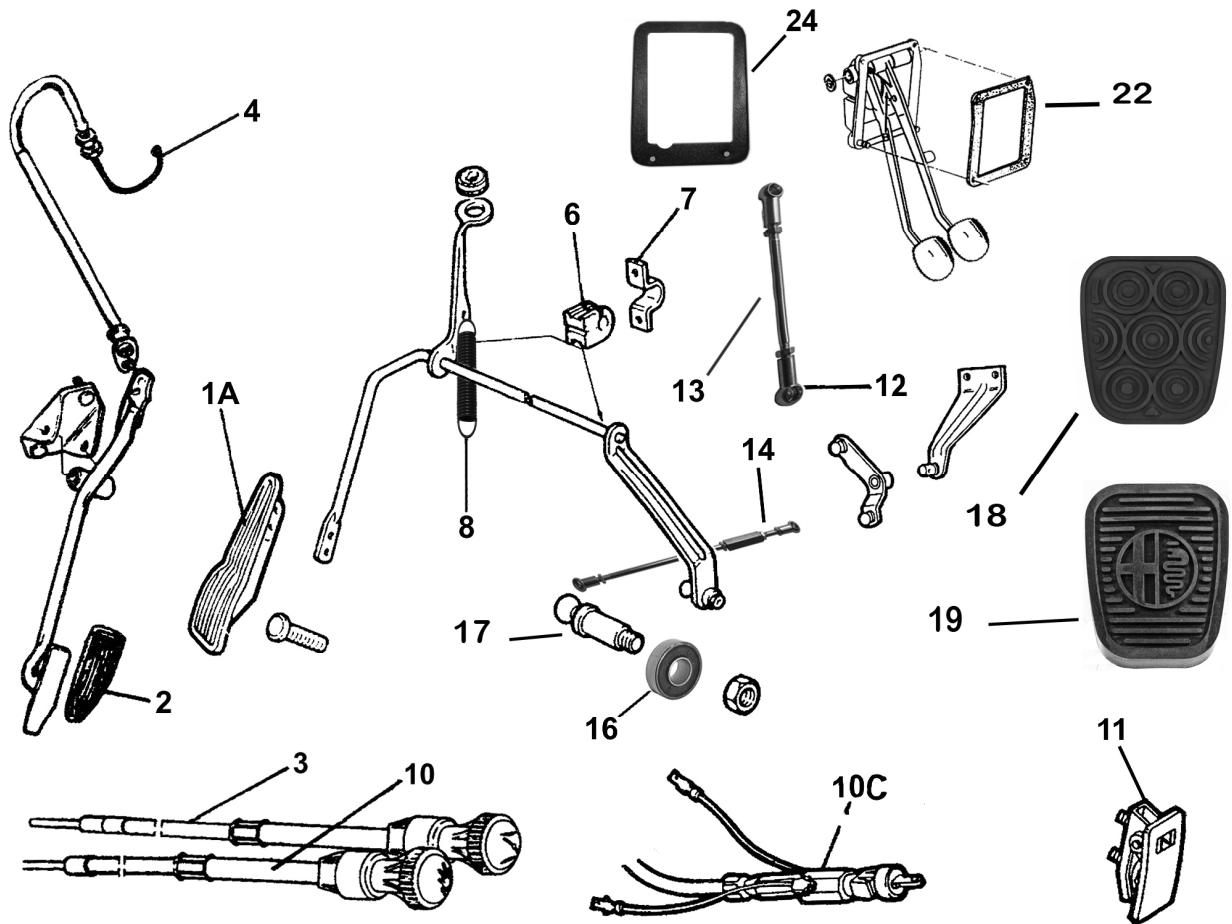
<u>Abb.</u>	<u>Item-nr</u>	<u>Description</u>	<u>Year</u>	<u>Price</u> €
1	262-1	set of engine gaskets 1300, with cylinder-head gasket, no oil seals	63-80	98,--
1A	262-1A	set of engine gaskets 1600, with cylinder-head gasket, no oil seals	63-94	98,--
1B	262-1B	set of engine gaskets 1750, with cylinder-head gasket, no oil seals	67-78	98,--
1C	262-1C	set of engine gaskets 2000, with cylinder-head gasket, no oil seals	70-94	98,--
2D	262-2D	cylinder-head gasket 1300	63-80	54,90
2E	262-2E	cylinder-head gasket 1600	63-94	54,90
2F	262-2F	cylinder-head gasket 1750	67-78	54,90
2G	262-2G	cylinder-head gasket 2000	70-94	54,90
2H	262-2H	copper cylinder-head gasket 2000, 1,8 mm	63-94	69,--
2J	262-2J	copper cylinder-head gasket 1600, 1,8 mm dick	63-94	69,--
2K	262-2K	washer for cylinder-head gasket, Reinz	63-94	0,80
2L	262-2L	copper cylinder-head gasket,1750, 1,8 mm	63-94	69,--
2M	262-2M	copper cylinder-head gasket 1300, 1,8 mm	63-94	69,--
2N	262-2N	cylinder-head gasket 1600 Payen 1,9 mm	57-78	59,--
2O	262-2O	cylinder-head gasket 2000 Payen 1,9 mm	60-94	59,--
3	262-3	valve cap gasket, strengthened, silicon overlay	63-94	21,--
4	262-4	Reinz valve cap gasket, strengthened	63-94	37,80
5	262-5	paper washer for allen-nut, valve cap gasket	63-94	1,50
6	262-6	crescent gasket for cylinder head	63-94	2,30
7	262-7	sealing part for upper oil pan	63-94	28,--
7A	262-7A	gasket for upper oil pan Reinz	63-94	35,--
8	262-8	sealing part for lower oil pan	63-94	6,50
8A	262-8A	gasket T-profile, lower part of oil pan	63-94	3,70
8B	262-8B	gasket for lower part of oil pan Reinz		21,--
9	262-9	gasket set for water pump	63-94	3,--
10	262-10	gasket for intake manifold (carburettor) 1600/ 2000	63-89	12,--
10A	262-10A	gasket for intake manifold 2.0 injection	90-94	19,--
12	262-12	oil seal for front crankshaft	64-94	8,--
13	262-13	oil seal for rear crankshaft 82 /105 /12 Alfetta, GTV 116, Montreal	63-89	18,--
13A	262-13A	oil seal for rear crankshaft, 84 / 1055 / 12	90-94	23,--
14	262-14	oil seal for front crankshaft, 35/80/10, original quality	63-94	14,50
14A	262-14A	oil seal for rear crankshaft, 82/105/12, original quality	62-89	29,--
14B	262-14B	oil seal for rear crankshaft, 84/105/12, original quality	90-94	33,--



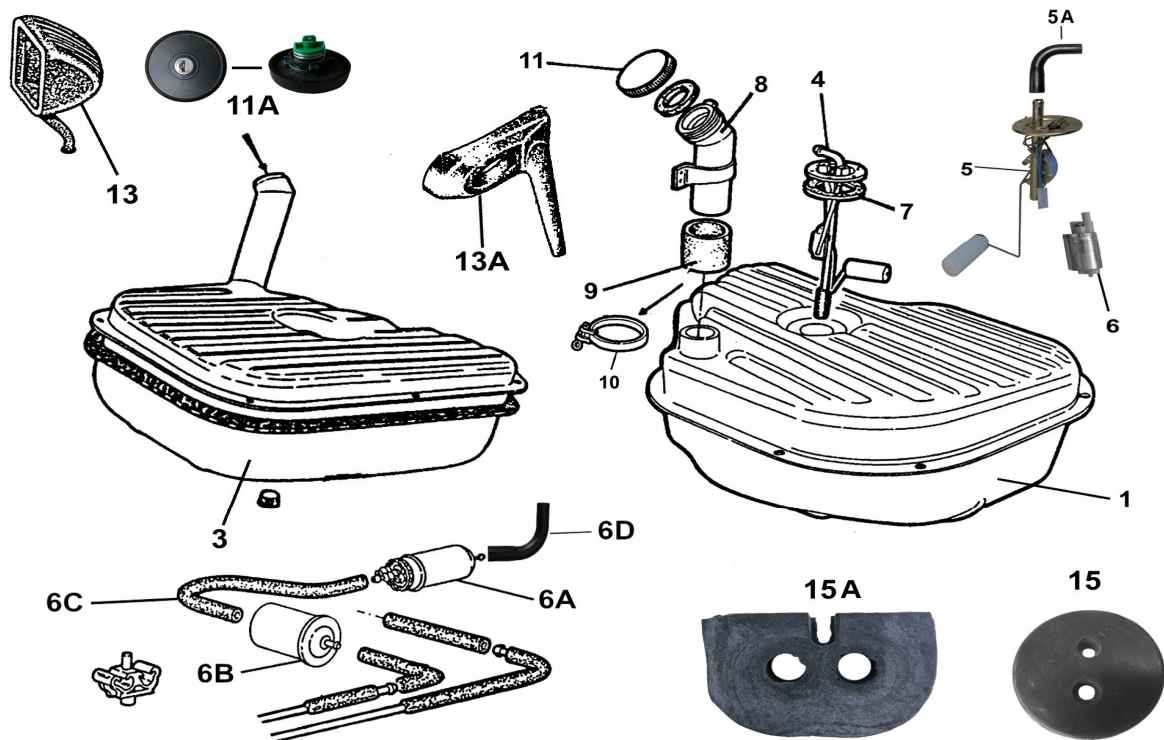
<u>Abb.</u>	<u>Item-nr.</u>	<u>Description</u>	<u>Year</u>	<u>Price</u>
2	263-2	Weber carburettor orig., 40, 1+2, front, 1600	68-94	590,--
2A	263-2A	Weber carburettor orig., 40, 3+4, rear, 1600	68-94	590,--
2B	263-2B	Weber carburettor, 40, 1+2, front, 2000	70-94	590,--
2C	263-2C	Weber carburettor, 40, 3+4, rear, 2000	70-94	590,--
2D	263-2D	Weber carburettor, 45, DCOE 152, front	63-94	590,--
3A	263-3A	set of carburettor gaskets with float gauge needle valve membranes, Weber double W101,	66-94	56,--
3B	263-3B	set of carburettor gaskets with float gauge needle valve and membranes, Del Orto 40 Ø 1300/2000	63-94	59,--
3C	263-3C	set of carburettor gaskets with float gauge needle valve + membranes, Solex double carburettor, 40 ADDHE 32	63-94	49,--
3D	263-3D	set of carburettor gaskets with float gauge needle valve + membranes, Solex double carburettor, 40 ADDHE 20/24/29S142.	63-94	49,--
3E	263-3E	set of carburettor gaskets with float gauge needle valve + membranes, Solex double carburettor, 40 DDH 3/5/7/8/S102	63-94	49,--
3F	263-3F	Gasket for Carburettor Solex C32 Paia, Giulia 1300	63-68	36,--
3G	263-3G	Gasket for carburettor Weber 45 Ø		48,--
4	263-4	gasket for carburettor apron	63-94	2,30
4A	263-4A	gasket for carburettor apron, 32 or 35 Paia	59-65	11,50
5	263-5	single muff for carburettor 1300 / 1600 / 1750 / 2000 - 40	63-89	23,--
5A	263-5A	Single muff for carburettor 45 mm Pirelli	63-94	59,--
5B	263-5B	Single muff for carburettor, 40 mm Spider 1600/Alfetta/Alfa 75	90-93	45,--
6	263-6	double muff for carburettor 1300 / 1600 / 1750 / 2000 - 40	63-94	57,90
6A	263-6A	fine thread nut 8 x 1, steel for carburettor muff	63-89	0,90
6B	263-6B	double muff for carburettor, 40 mm Spider 1600/Alfetta/Alfa 75	90-93	89,--
7A	263-7A	set suction muff alloy 40mm	72-94	185,--
7B	263-7B	set suction muff (3 pieces) 40 mm, with gasket	63-89	96,--
8	263-8	muff gasket 40 mm Ø	63-89	1,20
8A	263-8A	muff gasket, 45 mm	63-94	2,--
8B	263-8B	muff gasket 40 mm Ø Spider 1600, Alfetta, Alfa 75, 90	90-94	1,20
9	263-9	Gasket for intake manifold, carburettor models 1600 / 2000	63-89	12,--
9A	263-9A	gasket for intake manifold, 1300	63-77	16,--
9B	263-9B	Joint collector admission, Spider 1600	90-93	16,50
10	263-10	return valve for intake bridge		49,--
11	263-11	bush for carburettor socket	64-89	10,--
12	263-12	water connection piece for suction bridge		21,--
13	263-13	venting screw f. "water" Intake manifold		8,--
14	263-14	temperature sensor on intake manifold	63-94	25,--
15	263-15	ground strap for carburettor muff, 150 mm	63-89	12,90



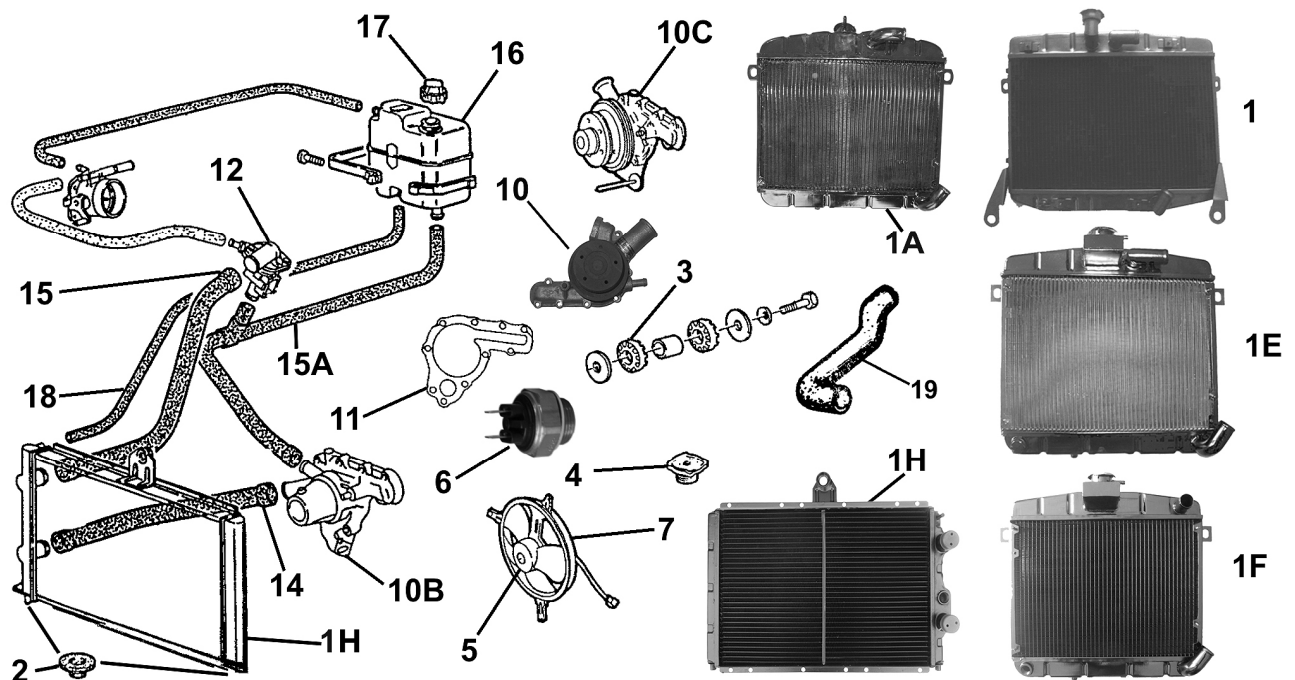
<u>Abb.</u>	<u>Item.nr.</u>	<u>Description</u>	<u>Year</u>	<u>Price</u> €
1	264-1	air filter, Giulia 1300 TI, 1600 TI, Fispas (14,5 cm x 10 cm wide)	64-67	32,--
1A	264-1A	air filter, Giulia mod. carburetor, Fram; 130mm		35,--
1B	264-1B	air filter, Bertone, Spider RH, 21,5x14x10	64-69	45,--
2	264-2	air filter, 35 cm 1600/ 2000		20,50
2A	264-2A	air filter, 40 cm length, 1300 / 1600 / 1750 / 2000	67-89	20,50
2B	264-2B	sportive air filter, K&N, 40 cm length	67-89	119,--
2C	264-2C	air filter 2 pieces USA-Version, Spica mechanical injection	70-82	39,-90
3	264-3	air filter housing for filter, carburettor	67-89	279,--
4	264-4	lower gasket between filter box and housing	67-89	8,--
4A	264-4A	lower gasket between filter box + housing 1. series 1300/1750	63-69	10,--
5	264-5	fixation clip for air filter housing	67-89	21,--
7	264-7	connection hose air filter, carburettor	66-67	38,--
7A	264-7A	clamp for hose, Ø 96,5	66-67	21,50
8	264-8	pre-heating hose, air filter to pre-heating metal sheet	67-94	10,50
9	264-9	pre-heating metal sheet	67-89	98,--
10	264-10	Intake box 1600,101,105 until 1968	62-68	350,--
11	264-11	ventilation hose for crankcase	63-94	9,50
12	264-12	petrol pump, carburetor model Alfetta / Giulietta	63-87	35,--
12A	264-12A	lifter in engine block for actuation petrol pump	63-89	18,--
13	264-13	gasket for petrol pump, carburettor model	63-89	2,10
14	264-14	plastic muff for petrol pump, injection model	63-89	4,--
15	264-15	electric petrol pump, injection model 0,27-0,38 bar 90l/h	83-94	145,--
15A	264-15A	electric petrol pump, Facet silvertop 0,3 bar 70l/h	63-94	120,--
16	264-16	feed pump in tank, injection model	83-94	120,--
17	264-17	relay for electric petrol pump	86-94	85,--
18	264-18	fuel pressure regulator	86-94	120,--
19	264-19	petrol line (flexible rubber) 1m	54-94	5,--
19A	264-19A	clamp (Romablok) for 8 mm fuel line	54-94	5,--
19B	264-19B	clamp for petrol hose original Romablok 17-19 mm		5,--
19C	264-19C	petrol line steel rigid, 8mm, 3 m long		32,--
20	264-20	petrol filter, injection model	87-94	20,--
21	264-21	petrol filter, 35mm, Fispas	63-77	7,45
21A	264-21A	petrol filter, 42mm, Technocar	70-89	8,50
22	264-22	petrol filter housing with inspection glass, 42 mm, King	63-77	93,--
23	264-23	complete petrol filter with housing, 42 mm, Technocar	78-89	95,--
24	264-24	petrol filter for Spica		23,--
25	264-25	petrol filter - Prefilter - 6/8 mm		4,50



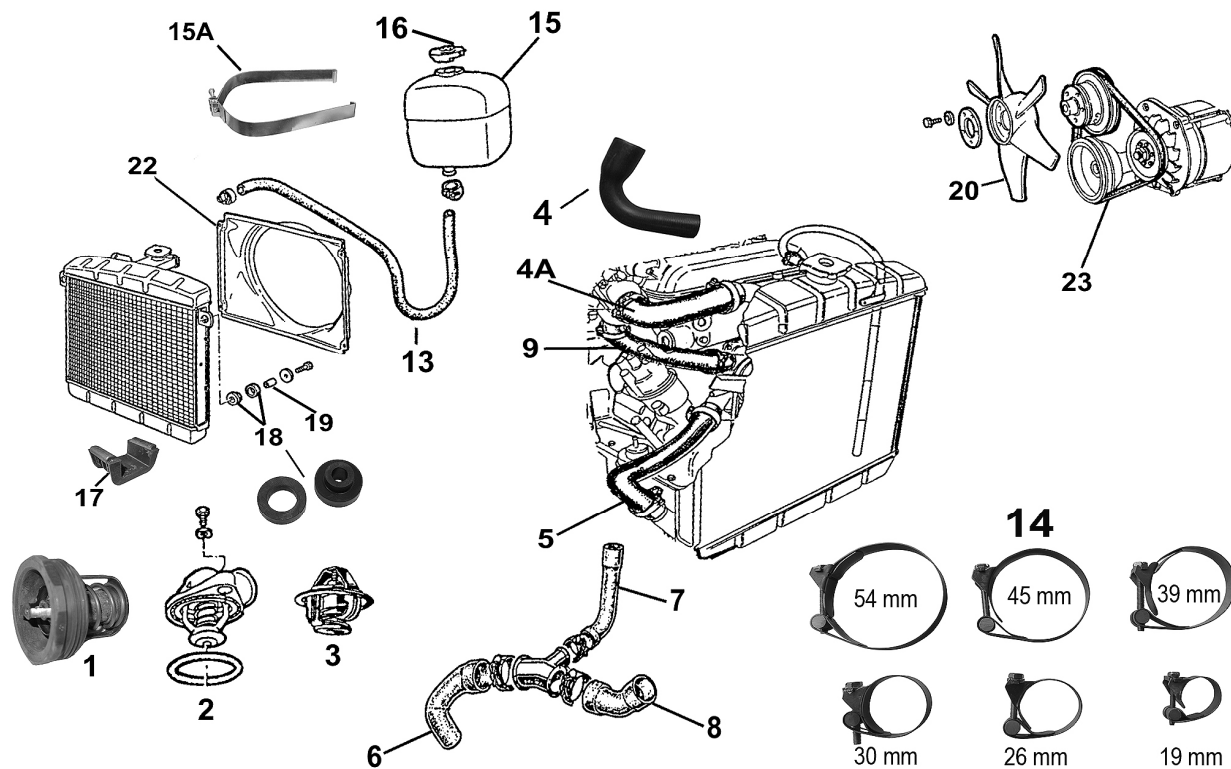
<u>Abb.</u>	<u>Item-nr.</u>	<u>Description</u>	<u>Year</u>	<u>Price</u> €
1	266-1	accelerator pedal with rubber	63-70	41,--
1A	266-1A	accelerator pedal with rubber	70-86	39,--
1B	266-1B	rubber stop on the bottom for accelerator pedal	63-87	2,50
2	266-2	rubber for accelerator pedal only for 87-94	87-94	5,--
3	266-3	manual carburettor control cable with round black button, orig.	70-86	22,--
3A	266-3A	manual carburettor control cable with round black button, without symbol	70-86	33,--
3B	266-3B	manual carburettor control cable, mod. without console 1300/1600	63-78	14,80
4	266-4	carburettor control cable, Spider, carburettor models	87-94	29,--
4A	266-4A	carburettor control cable, Spider, injection models	87-94	29,--
5	266-5	clip for carburettor control cable	87-94	1,30
6	266-6	rubber bearing bush for carburet throttle controls	63-86	3,50
7	266-7	clamp for rubber bearing bush	63-86	6,30
8	266-8	tension spring for carburet throttle controls	63-68	6,90
10	266-10	choke linkage all models without centre console 1300 / 1600	63-74	18,--
10A	266-10A	choke linkage, without symbol, Spider	70-86	22,--
10B	266-10B	choke linkage, with symbol, Spider	70-86	35,90
10C	266-10C	choke linkage, Spider	87-94	35,--
11	266-11	actuation lever for choke linkage	87-94	35,--
12	266-12	swivel head for carburet linkage (metal)	63-89	4,20
13	266-13	short thread rod for carburet throttle controls	63-89	12,50
14	266-14	Long thread rod for carburet throttle controls	63-89	18,--
16	266-16	bush for carburet throttle controls	63-86	4,--
17	266-17	ball pin for gas linkage	66-94	7,50
18	266-18	clutch- or brake pedal rubber	63-94	3,90
19	266-19	set of pedal lining with Alfa emblem	63-94	15,--
20	266-20	bush for clutch	63-94	4,--
21	266-21	clutch cable for mechanic clutch	63-70	19,80
22	266-22	seal for pedal bracket (hanging pedals66-69)	70-94	25,--
23	266-23	rubber cover for pedals, standing pedals	66-69	85,--
24	266-24	pedal plate Spider, standing pedals	66-69	59,--



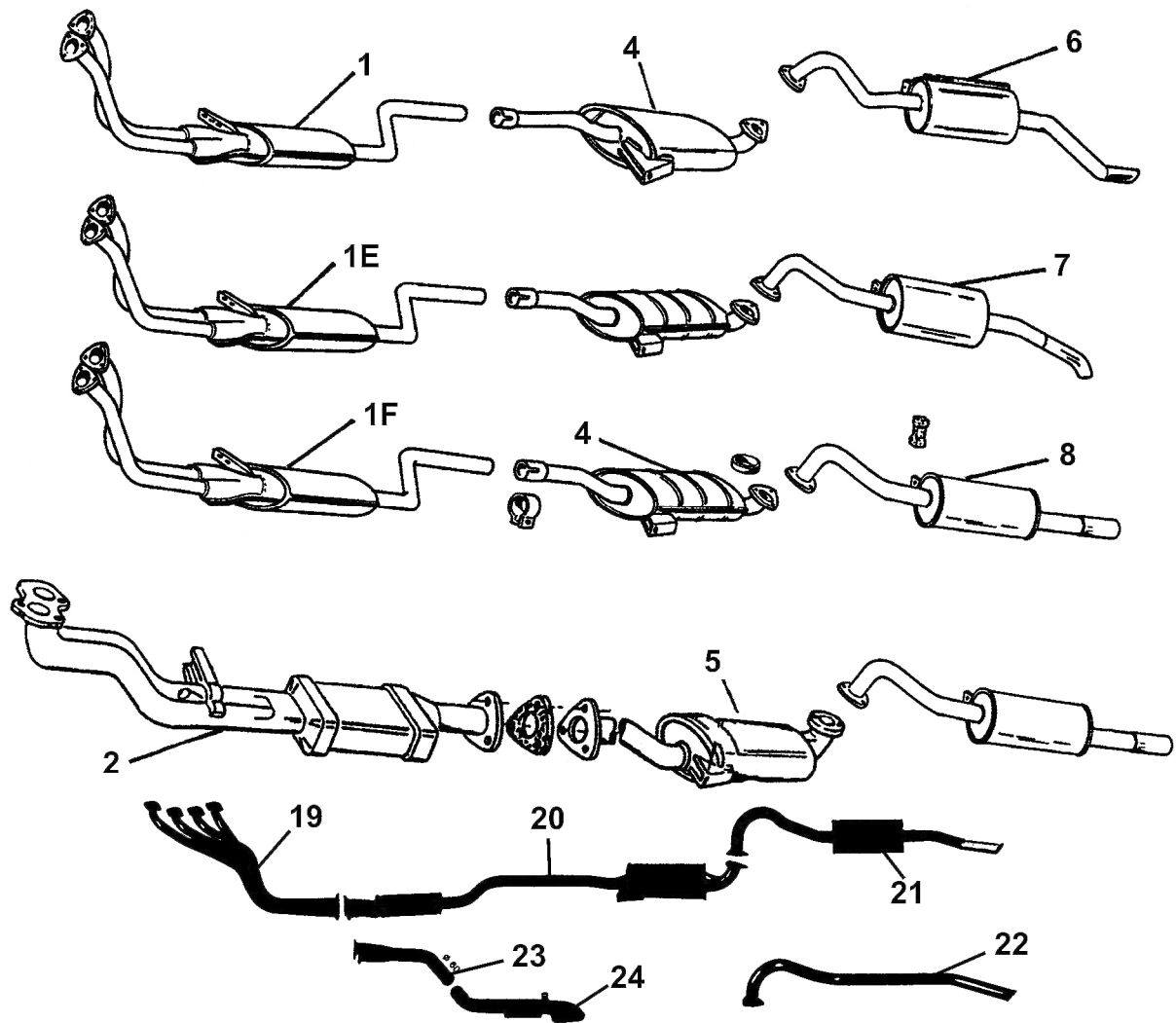
<u>Abb.</u>	<u>Item-nr.</u>	<u>Description</u>	<u>Year</u>	<u>Price</u> €
1	267-1	fuel tank, Spider 2.0 L, carburetor models	70-94	285,--
1A	267-1A	fuel tank, Bertone 2,0	70-77	330,--
1B	267-1B	fuel tank, Giulia, Berlina	63-78	327
1C	267-1C	fuel tank, GT 1300/1600/1750	63-77	330,--
1D	267-1D	fuel tank RH	66-69	349,--
1E	267-1E	fuel tank, Spider 1300/1600	70-79	310,--
2	267-2	fuel tank, Spider, injection	87-94	285,--
3	267-3	gasket for boot floor and tank, all models 2,25 m	63-94	8,--
4	267-4	fuel sensor, Jäger, 17 cm aspiration hose	63-80	67,--
4A	267-4A	fuel sensor, Borletti, Veglia, 17 cm aspiration hose	63-80	63,--
4C	267-4C	fuel sensor, Borletti, Veglia, 23 cm aspiration hose	70-94	63,--
5	267-5	fuel sensor, Spider (injection) 9 cm aspiration hose	87-94	65,--
5A	267-5A	hose connection to the tank sensor	87-94	14,--
6	267-6	feed pump (in tank), injection model	87-94	120,--
6A	267-6A	fuel pump, injection model 0,27-0,38 bar 90l/h	87-94	145,--
6B	267-6B	fuel filter, injection	83-94	20,--
6C	267-6C	fuel tube	87-94	8,--
6D	267-6D	fuel tube	87-94	7,--
6E	267-6E	spacer bush for fuel filter fixation	87-94	1,--
7	267-7	gasket for tank sensor	63-94	5,--
8	267-8	connecting hose 45 mm Ø	63-94	13,--
9	267-9	connecting hose, Spider, Ø 58 mm	70-72	15,--
9A	267-9A	connecting hose, Spider, Ø 45 mm	72-94	36,--
10	267-10	clamp for fuel hose	63-94	2,50
11	267-11	fuel tank screw cap, injection models lockable 58 mm	86-94	21,--
11A	267-11A	fuel tank cap, lockable bayonet socket	63-78	18,--
11B	267-11B	fuel tank screw cap, lockable	66-86	16,--
11C	267-11C	fuel cap stainless steel, bayonet socket, lockable	63-86	25,--
11D	267-11D	fuel tank screw cap	87-94	22,--
13	267-13	rubber collar for tank connection Bertone Giulia	63-78	54,--
13A	267-13A	rubber collar for tank connection Spider	66-94	68,--
13B	267-13B	rubber collar for tank connection GT Bertone, 2,0	70-77	54,--
15	267-15	lead through for fuel conduit	66-86	5,--
15A	267-15A	lead through for fuel conduit	87-94	8,--



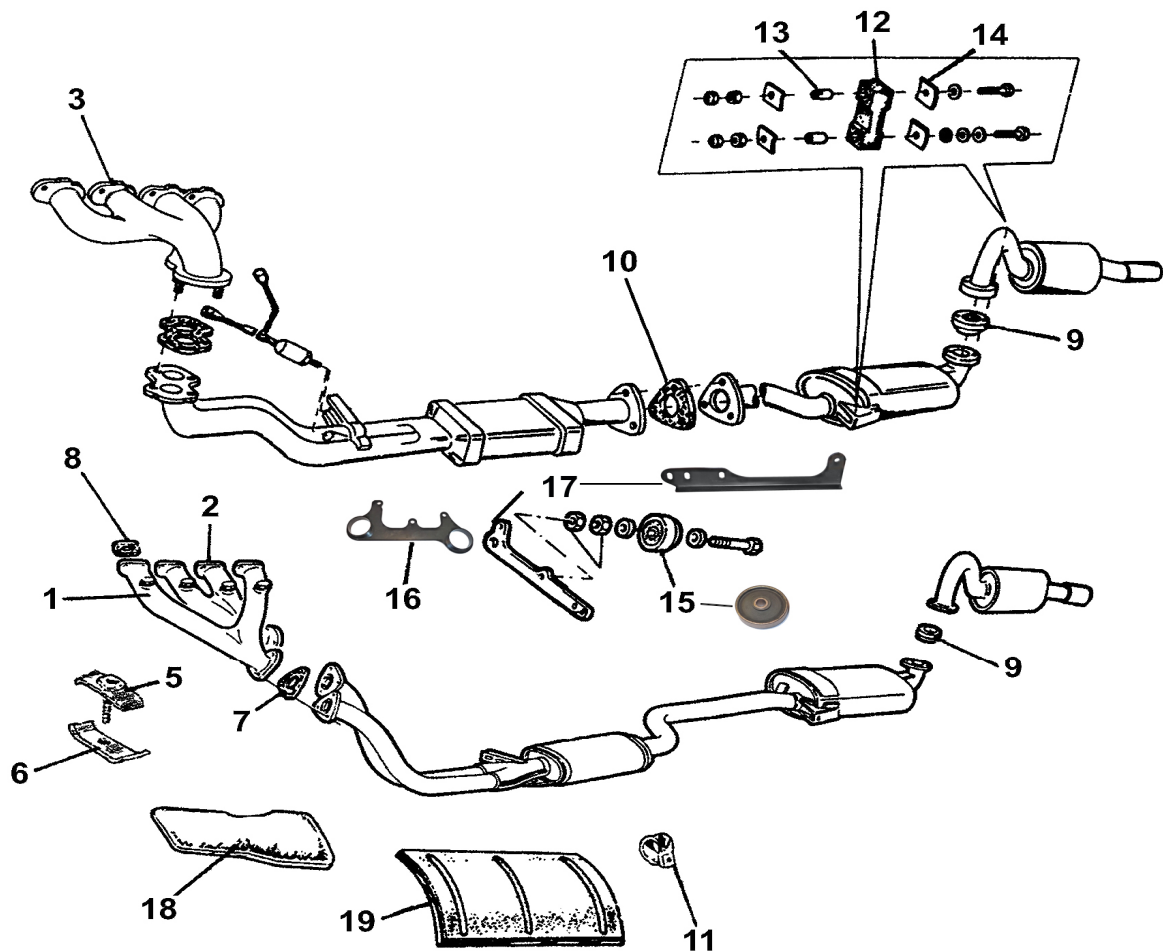
<u>Abb.</u>	<u>Item- nr.</u>	<u>Description</u>	<u>Year</u>	<u>Price</u> €
1	268-1	radiator, new, GT, Giulia, Spider 1300-1600	63-69	429,--
1C	268-1C	radiator, orig. Italy, Giulia, Bertone	68-78	410,--
1E	268-1E	radiator, orig. Italy, Spider	70-89	429,--
1F	268-1F	radiator, orig. Italy, Bosch, Spider injection	87-89	429,--
1H	268-1H	radiator new, Spider i.e.	90-94	429,--
2	268-2	lower radiator rubber	90-94	4,50
3	268-3	upper radiator rubber	90-94	3,--
4	268-4	radiator cap, high, car without expansion tank	63-89	10,--
4A	268-4A	chromed radiator cap, car without expansion tank	63-89	16,--
4B	268-4B	radiator cap expansion tank		12,--
4C	268-4C	chromed radiator cap, angular, car without expansion tank		16,--
5	268-5	ventilator motor	90-94	195,--
6	268-6	thermo-switch for electric ventilator	90-94	15,--
7	268-7	mount for ventilator motor	90-94	85,--
10	268-10	water pump 94 mm belt pulley, 2 joints 1300 / 1600		92,--
10A	268-10A	water pump 1750, 110 mm belt pulley, 2 joints		89,--
10B	268-10B	water pump 1600 / 2000 / 3 joints	72-80	78,--
10C	268-10C	water pump 1600 / 2000 / electric rotational-speed sensor	80-89	110,--
10D	268-10D	water pump with electric ventilation, Spider + Alfa 75 (1.6/1.8/1.8 i.E. Turbo / 2.0 twinspark)+ Alfa 90 (1.8 / 2.0 super+ i.E.)	90-94	105,--
10E	268-10E	water pump US Model, with Spica- or air condition - Anlage	66-86	425,--
10F	268-10F	actuation for rotational-speed sensor	63-79	75,--
11	268-11	gasket for water pump	63-94	3,--
12	268-12	thermostat 1600 / 2000 i.E., original Behr	88-94	58,--
14	268-14	lower radiator hose, radiator to water pump 2000 i.E.	90-94	21,--
14A	268-14A	lower radiator hose, to water pump (with air condition) 2.0	87-94	39,--
15	268-15	radiator hose upper side, thermostat, 2,0 i.E.	87-94	21,--
15A	268-15A	radiator hose, radiator water pump > thermostat > compens: tank 2,0 i.E.	90-94	58,--
15B	268-15B	upper radiator hose Spider 2000 i.E.	86-89	27,--
16	268-16	radiator balance container 1600 / 2000 i.E.	87-94	79,80
17	268-17	cap for balance container	87-94	10,--
18	268-18	hose, balance container to radiator 2000 i.E.	87-94	8,--
19	268-19	radiator hose, radiator > intake bridge, Spider 2,0 i.E., mech. ventilation	86-88	27,--
19A	268-19A	radiator hose water pump > thermostat	86-88	21,--
20	268-20	radiator, replacement part, Giulia, Bertone	63-94	2,50



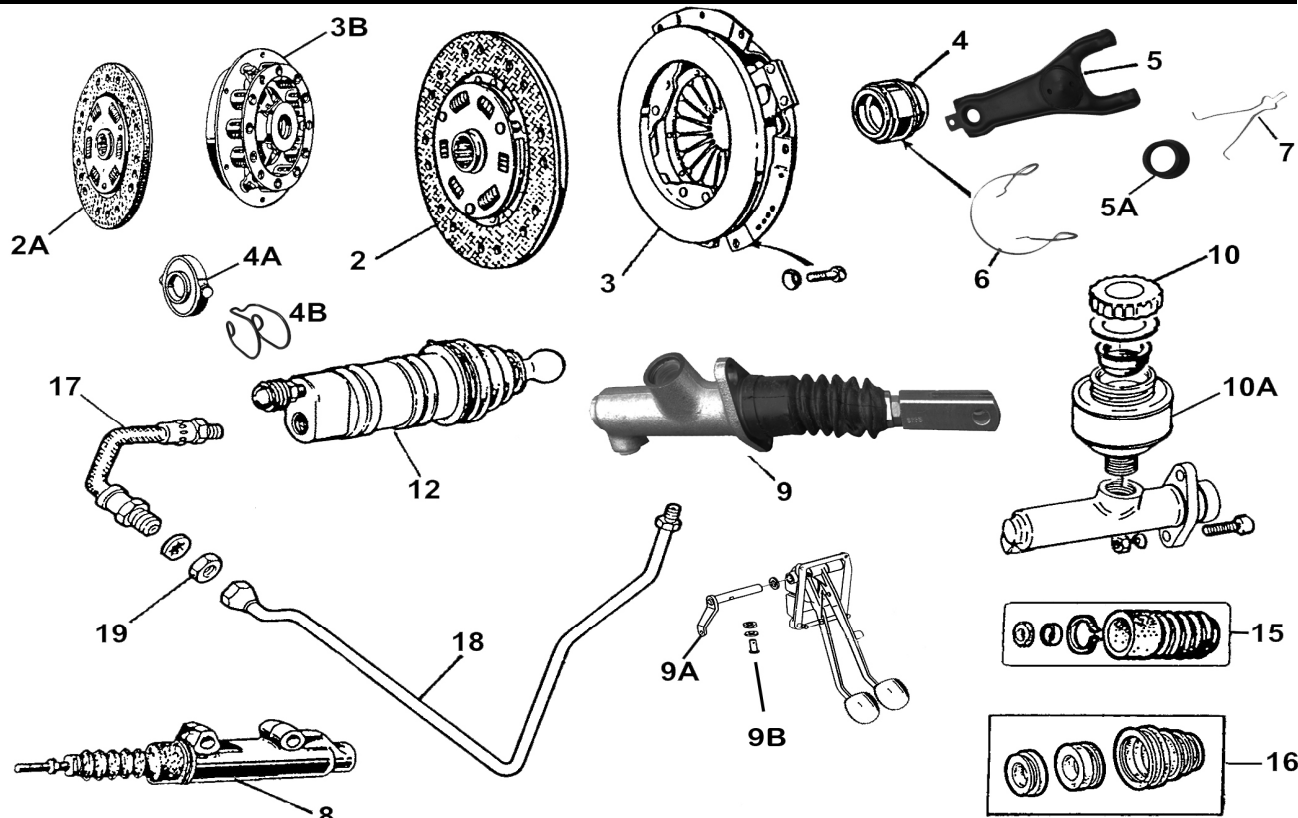
<u>Abb.</u>	<u>Item-nr.</u>	<u>Description</u>	<u>Year</u>	<u>Price</u> €
1	269-1	thermostat 1300 / 1600, screw thread	64-70	38,50
2	269-2	thermostat with housing + gasket 1600 / 1750 / 2000	70-87	39,--
2A	269-2A	gasket for thermostat	70-94	4,50
2B	269-2B	venting screw, water circuit	63-94	7,--
2C	269-2C	thermostat without housing + gasket (orig. Behr) carburettor m.	70-94	56,--
3	269-3	thermostat without housing	70-87	22,--
4	269-4	upper hose, radiator to thermostat (screw) 1300/1600	63-70	15,--
4A	269-4A	upper hose, radiator to thermostat 1300 / 1600 / 1750, 2.0	67-89	15,--
4C	269-4C	upper water hose 2.0 i.E., Spica	70-86	25,--
5	269-5	hose, water pump to radiator, bottom 1300/ 1600/ 1750, / 2.0	68-89	13,--
5A	269-5A	hose, water pump to radiator, bottom, Spider/GTV, i. E., Spica		43,--
5B	269-5B	hose, water pump to radiator	88-89	18,--
6	269-6	hose, distributor to radiator, bottom 1750	68-72	13,--
7	269-7	hose, distributor to thermostat 1750	68-72	14,--
8	269-8	hose, distributor 1750	64-72	14,--
8A	269-8A	distribution tube aluminium 1750	68-70	36,--
9	269-9	hose, thermostat to water pump, 1300 / 1600 / 2000	68-89	12,--
13	269-13	hose, balance container to radiator	72-89	7,--
14	269-14	fixation clamp orig. Romablok for radiator hose (54 or 45 mm)	58-83	8,--
14A	269-14A	fixation clamp orig. Romablok for radiator hose (37 or 41 mm)	58-83	7,--
14B	269-14B	fixation clamp orig. Romablok for radiator hose (30 mm)	58-94	5,80
14C	269-14C	fixation clamp orig. Romablok for radiator hose (24-27 mm)	58-94	5,--
15	269-15	radiator balance container	69-89	42,90
15A	269-15A	fixation clamp for expansion tank	66-89	29,--
16	269-16	cap for balance container (radiator)	68-89	9,--
16A	269-16A	cap chromed for balance container	68-89	13,--
17	269-17	rubber for radiator support	63-89	4,50
18	269-18	rubber for radiator mounting sideways (2 pcs.)	63-89	5,--
19	269-19	metal picot for radiator retaining rubber, sideway	63-89	1,50
20	269-20	ventilator wing	63-72	34,--
20A	269-20A	ventilator wing wide	70-89	31,--
22	269-22	plastic frame for ventilator wing	68-89	31,--
22A	269-22A	metal frame for ventilator wing, 1. Series	62-68	59,--
23	269-23	fan belt 9,5 x 8,13	63-77	9,--
23A	269-23A	fan belt 9,5 x 8,25, Spider, Bertone	68-77	9,--
23B	269-23B	fan belt 9,50 x 8,50	70-94	12,--
23C	269-23C	fan belt 9,50 x 7,25	63-77	9,--



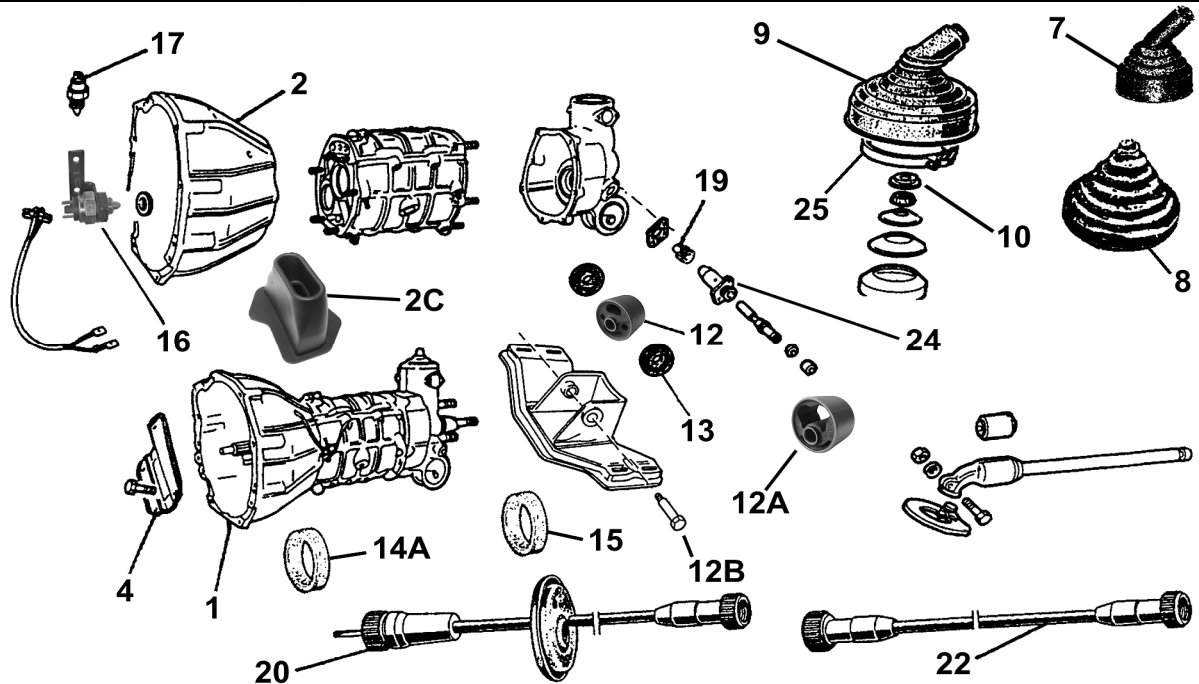
<u>Abb.</u>	<u>Item-nr.</u>	<u>Description</u>	<u>Year</u>	<u>Price</u> €
1	270-1	front part of exhaust pipe, Spider, standing pedals 1300 /1600	63-72	118,--
1A	270-1A	front part of exhaust pipe, Bertone 1750 1. series, standing Pedals	68-72	159,--
1B	270-1B	front part of exhaust pipe, Giulia, Bertone, Berlina standing Pedals	63-72	159,--
1C	270-1C	front part of exhaust pipe, Giulia, hanging pedals	70-78	165,--
1D	270-1D	front part of exhaust pipe, Bertone, hanging pedals	70-77	159,--
1E	270-1E	front part of exhaust pipe, Spider, no catalytic converter hanging pedals	70-89	109,--
2	270-2	front part of exhaust pipe with catalytic converter	87-89	720,--
2B	270-2B	front part of exhaust pipe with catalytic converter (Euro 2)	90-94	780,--
4	270-4	exhaust center pot, Spider without KAT	66-89	85,--
4A	270-4A	exhaust center pot, Giulia, Bertone	63-78	85,--
5	270-5	center exhaust pot with catalytic converter, Spider	86-89	115,--
5A	270-5A	center exhaust pot with catalytic converter, Spider	90-94	108,--
6	270-6	exhaust end pot, Giulia, Bertone and Berlina	64-78	95,--
6A	270-6A	exhaust end pot, Spider	66-69	95,--
7	270-7	exhaust end pot, Spider	70-82	88,--
8	270-8	exhaust end pot, Spider	83-94	115,--
18	270-18	exhaust end pot, Zagato 1300 / 1600	68-75	99,--
19	270-19	GTA manifold (fan-shape), 60 mm without ABE	64-69	390,--
20	270-20	exhaust double pot, GTA	64-69	315,--
21	270-21	end pot GTA	64-69	130,--
22	270-22	sportive exhaust-pipe end GTA	64-69	85,--
23	270-23	exhaust pipe front sideway GTA	64-69	209,--
24	270-24	exhaust pipe rear sideway GTA	64-69	215,--



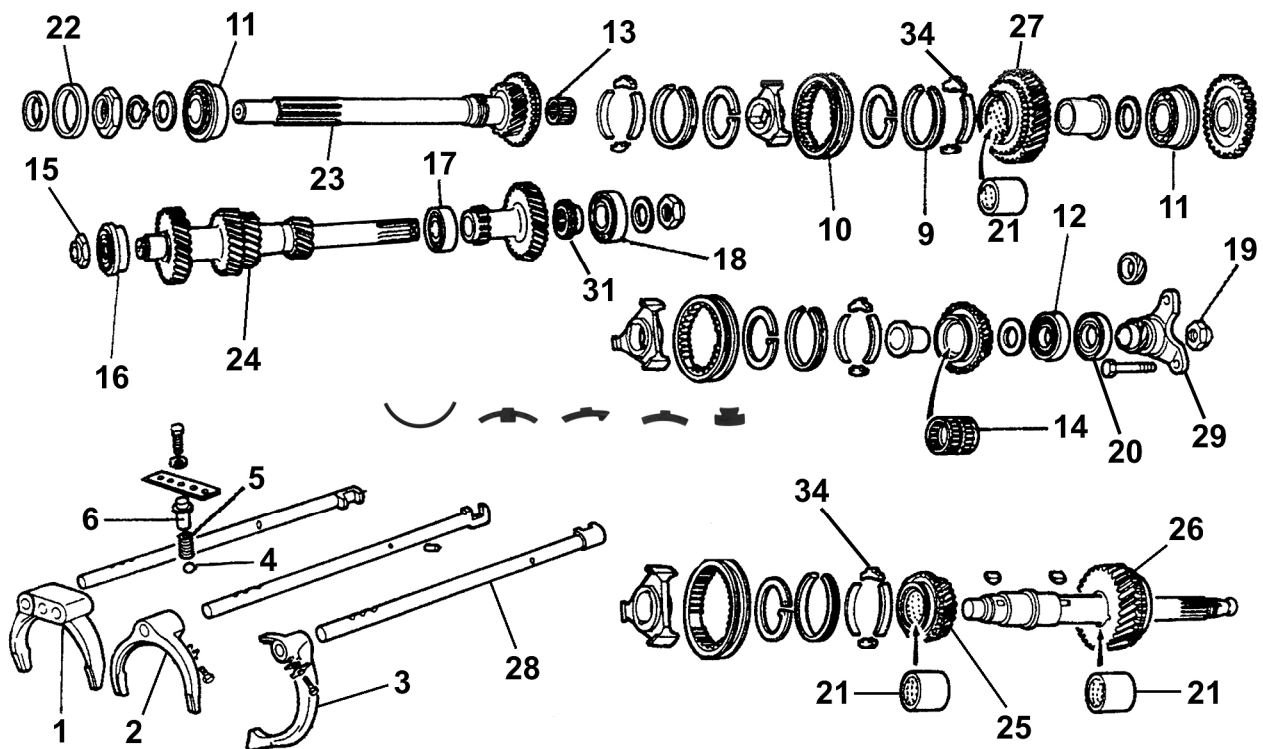
<u>Abb.</u>	<u>Item.nr.</u>	<u>Description</u>	<u>Year</u>	<u>Price</u> €
1	271-1	exhaust manifold, 1/4 cylinder, Spider, catalytic converter model	89-94	189,--
1A	271-1A	exhaust manifold, 1/4 cylinder, carburettor model	63-89	180,--
2	271-2	exhaust manifold, 2/3 cylinder, Spider, cat. converter model	89-94	154,--
2A	271-2A	exhaust manifold, 2/3 cylinder, carburettor model	63-89	189,--
3	271-3	exhaust manifold, 1-piece, Spider, cat. Converter model	87-89	268,--
5	271-5	upper mounting part for cat. Converter	86-94	8,--
6	271-6	lower mounting part for cat. Converter	86-94	7,--
7	271-7	gasket, exhaust to manifold	63-94	2,50
7A	271-7A	gasket, (exhaust manifold- 1 Piece) US	88-89	10,--
8	271-8	gasket, manifold to engine	63-94	3,--
9	271-9	gasket, center exhaust pot to end pot	63-94	4,--
10	271-10	gasket, cat. converter to center exhaust pot	86-94	3,90
11	271-11	clamp for exhaust pipe	63-94	2,60
12	271-12	rubber for exhaust pot	63-94	4,--
13	271-13	picot for rubber (exhaust pot)	63-94	2,40
14	271-14	retaining plate for rubber (exhaust pot)	63-94	5,20
14A	271-14A	fixation set for exhaust pipe (no cat. converter, 1x11 / 9 / 2x12 / 7)	63-89	16,50
14B	271-14B	fixation set for exhaust pipe (with cat. converter, 1x9 / 10 / 2x12 / 7)	88-94	16,50
15	271-15	bush for gearbox mounting	63-94	7,50
16	271-16	exhaust pipe mount (on gearbox)	66-94	32,--
17	271-17	exhaust pipe mount (on gearbox)	66-94	53,--
18	271-18	cover plate, front exhaust pot	66-94	63,50
18A	271-18A	catalytic cover plate, front exhaust pot	88-94	69,--
18B	271-18B	heat shield, exhaust front, 1st series	63-69	69,--
19	271-19	cover plate, exhaust end pot	66-94	57,--
21	271-21	fixation nut for exhaust manifold	63-94	1,--
22	271-22	dowel pin (manifold, cylinder head)	63-94	2,20
23	271-23	lambda probe	87-89	80,--
23A	271-23A	lambda probe	90-94	80,--



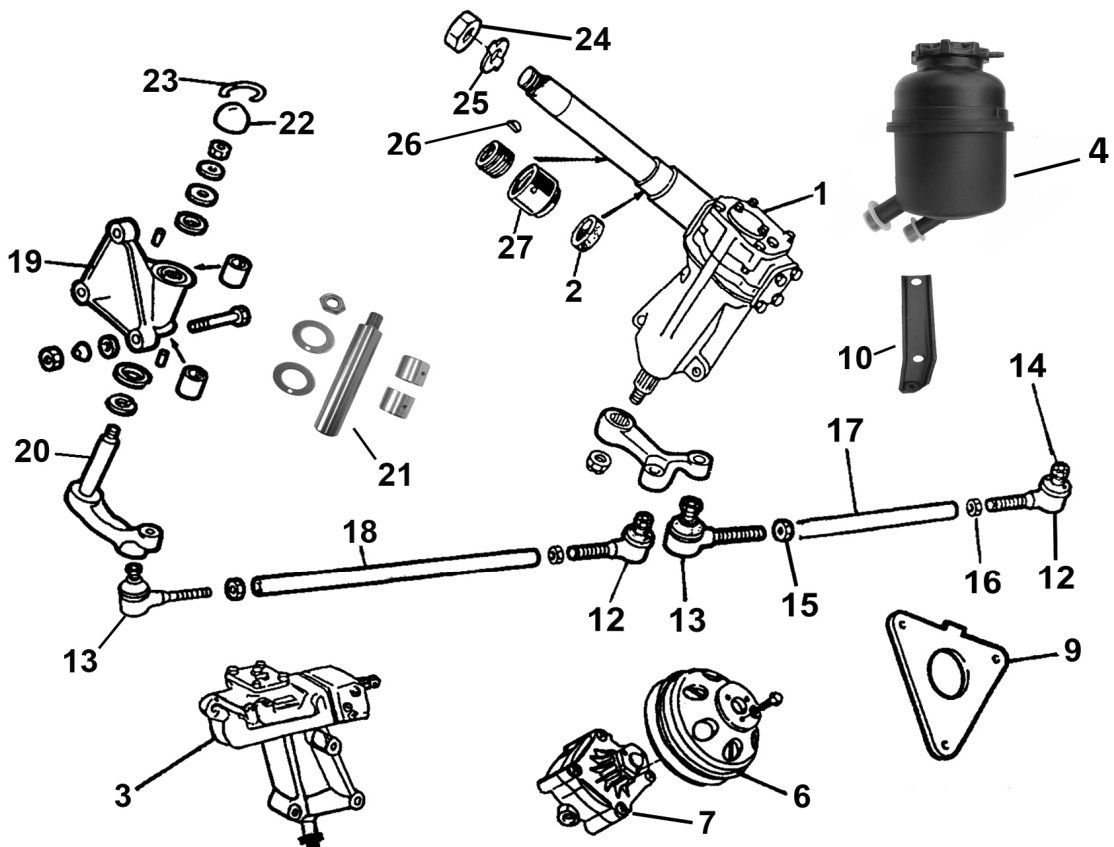
<u>Abb.</u>	<u>Item-nr.</u>	<u>Description</u>	<u>Year</u>	<u>Price</u> €
1	272-1	clutch set, 3-piece, mechanic actuation, Fichtel & Sachs	63-69	639,--
1A	272-1A	clutch set, 3-piece, hydraulic, Fichtel & Sachs	70-94	258,--
1B	272-1B	clutch set, 3-piece, hydraulic, Made in Italy	70-94	239,--
1C	272-1C	clutch set, 3-piece, hydraulic, LUK original	70-94	289,--
1D	272-1D	clutch set, mechanic actuation	63-69	370,--
2	272-2	clutch plate	68-94	53,--
2A	272-2A	clutch plate for mechanic clutch	63-69	90,--
2B	272-2B	clutch plate Fichtel & Sachs	68-94	200,--
2C	272-2C	clutch plate mechanic, Fichtel & Sachs	63-69	169,--
2D	272-2D	Clutch lining with rivets (set 2) for orig. clutch disc	57-69	59,--
3	272-3	coupling automat, Fichtel & Sachs	68-94	168,--
3A	272-3A	coupling automat, (hydraulic)	70-94	138,--
3B	272-3B	coupling automat for mechanic clutch, Fichtel & Sachs	63-69	549,--
3C	272-3C	coupling automat for mechanic clutch, made in Italy	54-69	239,--
4	272-4	disengaging bearing (hydraulic)	70-94	26,--
4A	272-4A	disengaging bearing for mechanic clutch	63-69	58,--
4B	272-4B	set retaining clips for disengaging bearing (mechanic clutch)	63-69	8,--
4C	272-4C	set retaining brackets for disengaging bearing (mechanic clutch)		9,--
4D	272-4D	disengaging bearing for mechanic clutch, Fichtel & Sachs	59-69	65,--
5	272-5	clutch lever	68-94	65,--
5A	272-5A	retaining spring rubber	63-94	3,10
6	272-6	retaining spring for disengaging bearing	63-94	9,10
7	272-7	retaining spring for lever of disengaging bearing	68-94	4,--
8	272-8	clutch transmitter cylinder, standing pedals	63-70	159,--
9	272-9	clutch transmitter cylinder, hanging pedals	70-94	99,--
9A	272-9A	actuation lever for clutch	70-94	85,--
9B	272-9B	fixation bolt f. lever clutch	63-94	6,--
9C	272-9C	bearing set (3) for lever clutch	66-69	17,--
9D	272-9D	actuation lever for clutch	66-69	95,--
10	272-10	cap and gasket for container	70-94	9,--
10A	272-10A	oil container ATE	67-94	49,--
11	272-11	screw for automatic clutch	57-94	4,--
12	272-12	clutch taker cylinder	63-94	64,--
13	272-13	security ring for clutch taker cylinder	68-94	2,10
15	272-15	repair set for clutch giver cylinder, hanging pedals	68-94	14,90
16	272-16	repair set for clutch giver cylinder	68-94	12,--
17	272-17	clutch hose	68-94	15,50
18	272-18	pipe, coupling cylinder to hose, hanging pedals	68-94	on request
19	272-19	nut for coupling hose	68-94	1,60



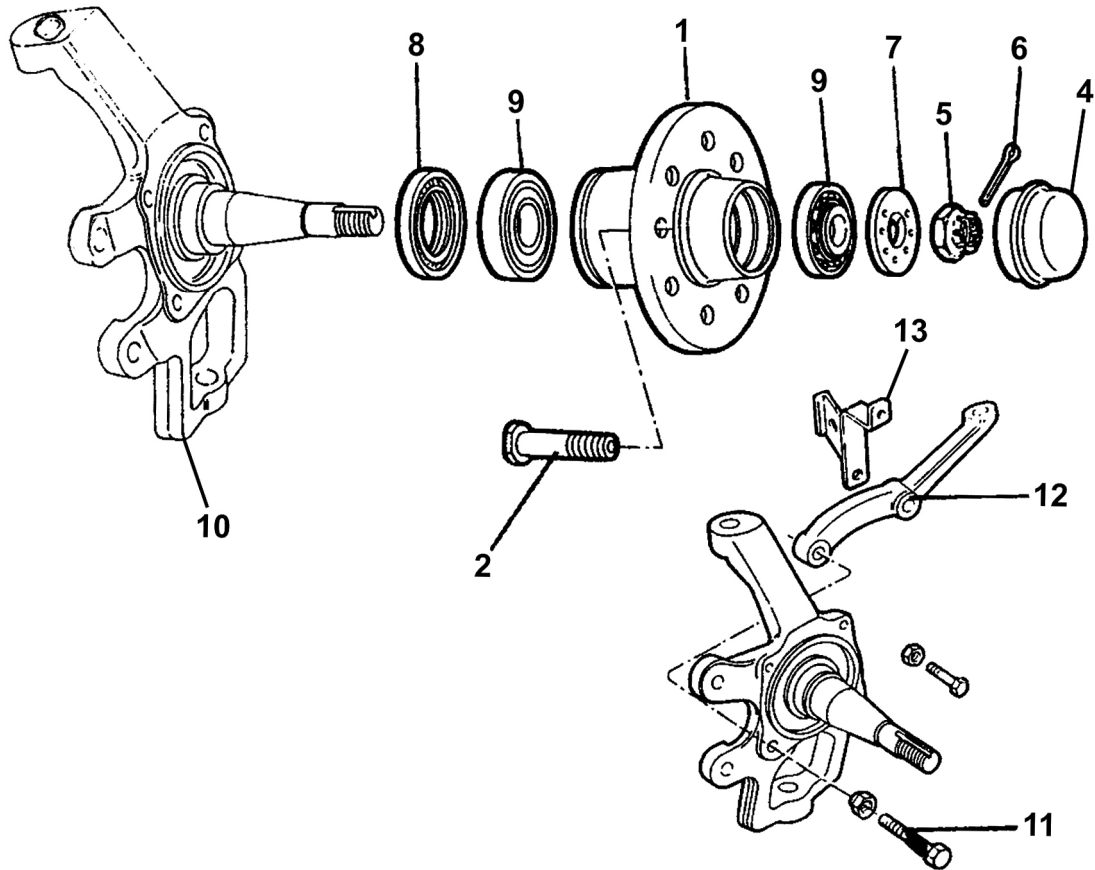
<u>Abb.</u>	<u>Item-nr.</u>	<u>Description</u>	<u>Year</u>	<u>Price</u> €
2	273-2	transmission bell housing closed	63-82	440,--
2A	273-2A	transmission bell housing closed, for switch back up light with screw thread	70-94	430,--
2B	273-2B	locating pin for engine block, transmission system	63-94	3,90
2C	273-2C	rubber collar f. release lever (mechanic clutch)	63-69	45,--
4	273-4	cover plate for transmission bell housing	64-94	31,--
6	273-6	ground strap, transmission system / car body	64-94	12,--
7	273-7	clutch lever sleeve, small	63-94	12,--
8	273-8	clutch lever sleeve, big	70-94	16,50
9	273-9	clutch lever sleeve, 1750, double	69-75	26,--
9A	273-9A	bushing for gearstick lever	60-94	15,--
9B	273-9B	screw with nut for rear gear lever	60-94	7,--
10	273-10	rubber ring for gearshift lever	64-94	3,10
11	273-11	cover plate for gearbox top	63-94	5,60
12	273-12	bush for transmission system suspension	63-69	35,--
12A	273-12A	bush for transmission system suspension	70-94	22,--
12B	273-12B	fixation bolt for lower part of suspension	63-94	13,--
12C	273-12C	Fastening nut for 273-2B self-locking	63-94	1,60
13	273-13	rubber cover plate, sideways for transmission mount	64-94	4,10
14	273-14	front oil seal, transmission system, mechanic clutch	64-68	9,--
14A	273-14A	front oil seal, transmission system, hydraulic clutch	68-94	6,--
15	273-15	back oil seal, transmission system, all models	64-94	8,70
15A	273-15A	back oil seal, transmission system, original quality, all models	64-94	14,--
16	273-16	switch for reverse lighting	63-80	39,--
17	273-17	switch for reverse lighting, with thread	70-94	20,--
18	273-18	pinion, speed indicator actuation (21 teeth) 9/41 1300-1750	64-94	69,--
19	273-19	pinion, speed indicator actuation (13 teeth) 10/41 2.0	70-94	69,--
19A	273-19A	o-seal for speed indicator actuation, 8x16x7	66-94	8,80
19B	273-19B	Gasket for speedo drive		2,50
19C	273-19C	Spacer ring for speedo drive		6,50
20	273-20	tacho shaft, Giulia, Bertone 1300, 1600, 1750	63-78	22,--
21A	273-21A	speed indicator shaft, Spider, Bertone, GT, GTV, Alfetta -2 m	66-86	22,--
21B	273-21B	speed indicator shaft, electronic speed indicator	87-89	29,--
21C	273-21C	speed indicator shaft, electronic speed indicator	90-94	25,--
21D	273-21D	electronic-transmitter for speed indicator shaft (conversion kit)	90-94	295,--
21E	273-21E	electronic-transmitter for speed indicator shaft (conversion kit)	87-89	285,--
22	273-22	rotational-speed sensor shaft 1410 / 1509 / 1925	63-82	16,--
25	273-25	fixation clamp for gear sleeve, little	63-94	11,--
25A	273-25A	fixation clamp for gear sleeve, big	63-94	11,--
26	273-26	oil drain bold, gear	63-94	13,50
27	273-27	oil filler screw, gear	63-94	8,--



<u>Abb.</u>	<u>Item-nr.</u>	<u>Description</u>	<u>Year</u>	<u>Price</u> €
1	274-1	shift-fork, 1st and 2nd gear	63-94	290,--
2	274-2	shift-fork, 3rd and 4th gear	63-94	275,--
3	274-3	shift-fork 5th and reverse gear	63-94	95,--
4	274-4	shift-ball	63-94	2,30
5	274-5	spring for shift-ball	63-94	4,--
6	274-6	shift-finger	63-94	15,--
9	274-9	synchronising disk	63-94	49,--
10	274-10	shift collar, OE-quality	63-94	108,--
11	274-11	bearing for primary shaft, front and middle, 1300 / 1600 / 1750	63-89	89,--
11A	274-11A	bearing for primary shaft, front and middle, 2000	72-94	95,--
12	274-12	bearing for primary shaft, back	73-94	47,--
13	274-13	needle bearing for primary shaft	63-94	14,40
14	274-14	needle bearing, 5th gear	63-94	15,--
15	274-15	locknut, for front secondary shaft	63-94	15,--
16	274-16	inner front bearing for secondary shaft, 25 mm, 1300 / 1600	63-88	64,--
16A	274-16A	inner front bearing for secondary shaft, 20 mm, 1750 / 2000	70-94	85,--
17	274-17	middle bearing for secondary shaft	63-94	47,--
17A	274-17A	gear wheel for 5th gear	63-94	285,--
17B	274-17B	gear wheel 5th gear + reverse gear /33 teeth		415,--
18	274-18	back bearing for secondary shaft	63-94	52,--
19	274-19	locknut for gearbox shaft	63-94	15,--
21	274-21	cupreous bush for gearwheel	63-94	40,--
22	274-22	locknut for gearbox input shaft	68-94	16,--
23	274-23	primary shaft, front	63-94	315,--
24	274-24	secondary shaft	63-94	390,--
25	274-25	gearwheel 1nd gear	63-94	289,--
26	274-26	gearwheel 2nd gear	63-94	235,--
27	274-27	gearwheel 3rd gear	63-94	275,--
28	274-28	shift-rod	63-94	145,--
29	274-29	O-ring f. shift rod (open bell)1300/1600/1750	63-73	2,80
30	274-30	pinion for reverse gear	63-94	195,--
31	274-31	pinion for reserve gear, auxiliary shaft	63-94	145,--
32	274-32	upper locking stone 1 gear	63-94	8,25
33	274-33	sideway locking stone 2/3/4/5 gear	63-94	15,--
34	274-34	lower locking stone 1/2/3/4/5	63-94	12,--
35	274-35	safety plate for secondary shaft	63-94	5,--
36	274-36	cogwheel5 gear + reverse gear (33 sprocket)	63-94	450,--
37	274-37	gearbox synchro limiting strip 1. gear		19,--
38	274-38	gearbox synchro limiting strip 2. -5. gear		19,--

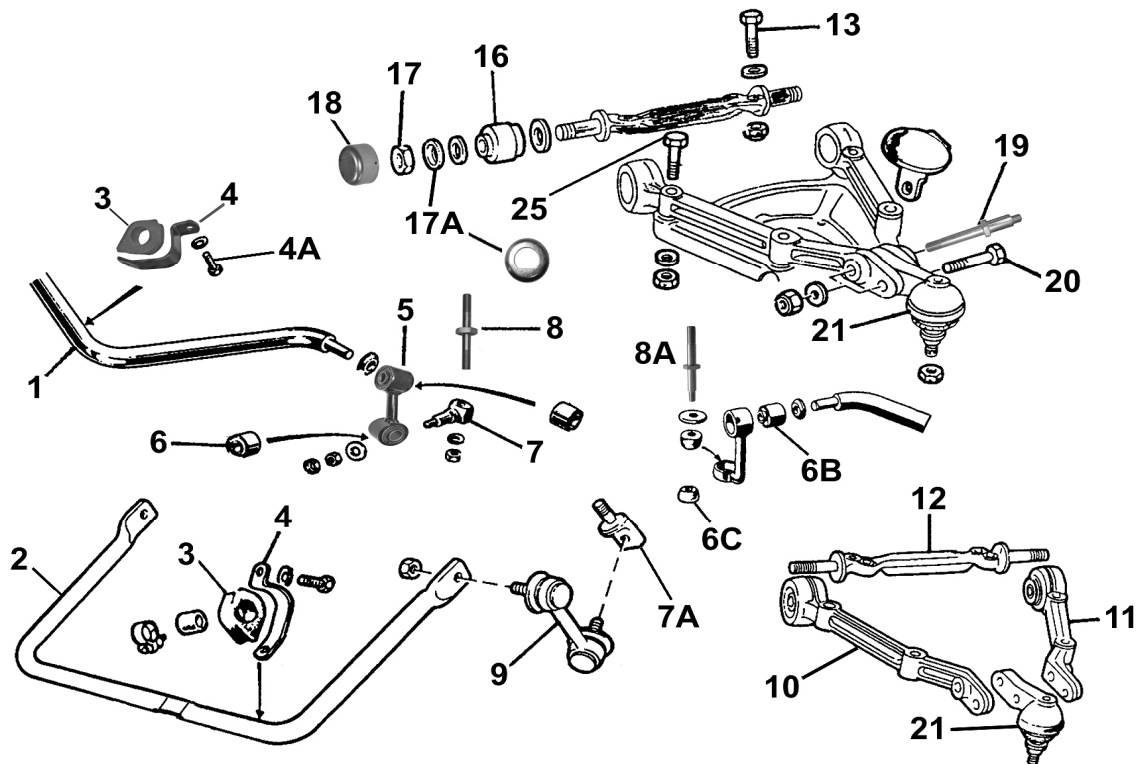


<u>Abb.</u>	<u>Item-nr.</u>	<u>Description</u>	<u>Year</u>	<u>Price</u> €
1	275-1	steering gear, replacement part Spider (ZF)	63-74	950,--
1B	275-1B	steering gear, replacement part (ZF) Spider, Bertone, Giulia	75-89	950,--
1C	275-1C	steering gear NEW (tube 62 cm long) 79-89	79-89	1600,--
2	275-2	oil seal (ZF) for steering gear	64-89	18,50
2A	275-2A	oil seal (Bormann) for steering gear (28 x 40 x 7)	64-89	20,--
2B	275-2B	Set gaskets for Burman		19,50
3	275-3	steering gear (ZF) for power steering	90-94	1650,--
3A	275-3A	oil pipe, servo pump to steering gear complete	90-94	180,--
3B	275-3B	oil pipe for power steering	90-94	39,--
4	275-4	oil expansion tank f. power steering	90-94	125,--
6	275-6	belt pulley for power steering	90-94	135,--
8	275-8	v-belt for power steering	90-94	25,--
9	275-9	distance block aluminium between steering gear + body	90-94	65,--
10	275-10	left steering stopper	64-94	65,--
10A	275-10A	right steering stopper	64-94	65,--
12	275-12	inner complete tie rod end, left-handed thread	64-94	17,80
12A	275-12A	complete tie rod end, left-handed thread, original Lemförder	64-94	39,50
12B	275-12B	outer complete tie rod end, left-handed thread	64-94	19,--
13	275-13	inner complete tie rod end, right-handed thread	64-94	17,80
13A	275-13A	complete tie rod end, right-handed thread, original Lemförder	64-94	39,50
13B	275-13B	outer complete tie rod end, right-handed thread	64-94	19,--
13C	275-13C	Set tie rod end complete (6 pieces)	63-94	95,--
14	275-14	nut for tie rod end	64-94	2,--
15	275-15	nut for tie rod, left-handed thread	64-94	2,70
16	275-16	nut for tie rod, right-handed thread	94-94	2,--
17	275-17	outer tie rod	64-94	22,--
18	275-18	tie rod centre	64-94	36,--
19	275-19	housing for bell crank	63-94	96,50
21	275-21	repair set for bell crank with bold	64-94	39,--
22	275-22	cap + bracket for bell crank	64-94	21,50
24	275-24	fixation nut for steering wheel	64-94	15,--
25	275-25	locking plate for steering wheel	63-94	4,70
26	275-26	safety wedge for steering wheel mounting	63-87	9,--
27	275-27	bearing for steering column	64-89	42,60

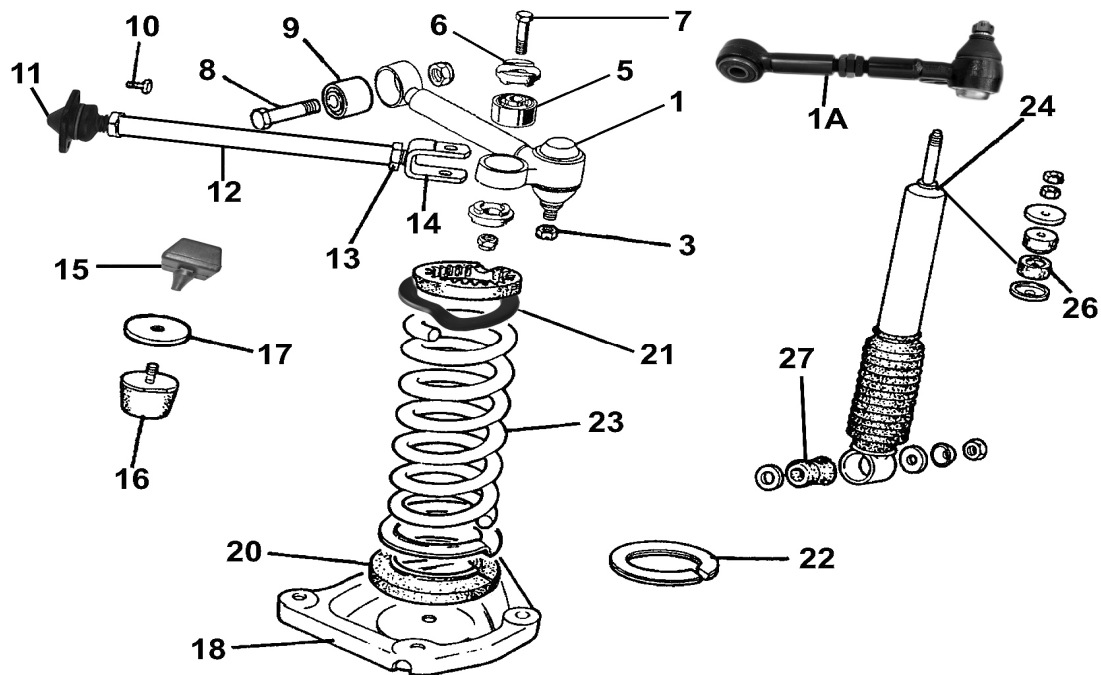


<u>Abb.</u>	<u>Item-nr.</u>	<u>Description</u>	<u>Year</u>	<u>Price</u> €
1	276-1	wheel hub	64-94	200,--
2	276-2	wheel bolt, left-handed thread, 56 mm	64-94	5,80
2A	276-2A	wheel bolt, right-handed bolt, 56 mm	64-94	5,80
2B	276-2B	wheel bolt, left-handed thread, 66 mm, Montreal		12,50
2C	276-2C	wheel bolt, right-handed thread, 66 mm, Montreal		12,50
4	276-4	grease cap	63-94	5,90
5	276-5	nut for wheel hub, right hand thread, splint safety device	63-94	9,80
5A	276-5A	nut for wheel hub, left hand thread, splint safety device	63-94	9,80
5B	276-5B	nut for wheel hub, right hand thread, self insurance	63-94	9,80
6	276-6	split-pin for nut	64-94	0,50
7	276-7	washer disc	64-94	6,--
8	276-8	oil seal for wheel hub	64-94	9,--
9	276-9	wheel bearing set plus oil seal, one side	64-94	46,--
10	276-10	left axle leg 1300 / 1600	63-86	290,--
10A	276-10A	right axle leg 1300 / 1600	63-86	290,--
10B	276-10B	left axle leg 1600 >86 / 1750 / 2000	70-94	290,--
10C	276-10C	right axle leg 1600 >86 / 1750 / 2000	70-94	290,--
11	276-11	fixation screw for axle leg	63-94	4,30
11A	276-11A	nut for fixation screw	63-94	2,--
11B	276-11B	small fixation screw for axle leg	63-94	3,--
11C	276-11C	small nut for fixation screw	63-94	1,50
12	276-12	right steering arm	64-94	129,--
12A	276-12A	left steering arm	64-94	129,--
13	276-13	mount for brake pipe, LH	63-94	15,--
13A	276-13A	mount for brake pipe, RH	63-94	15,--

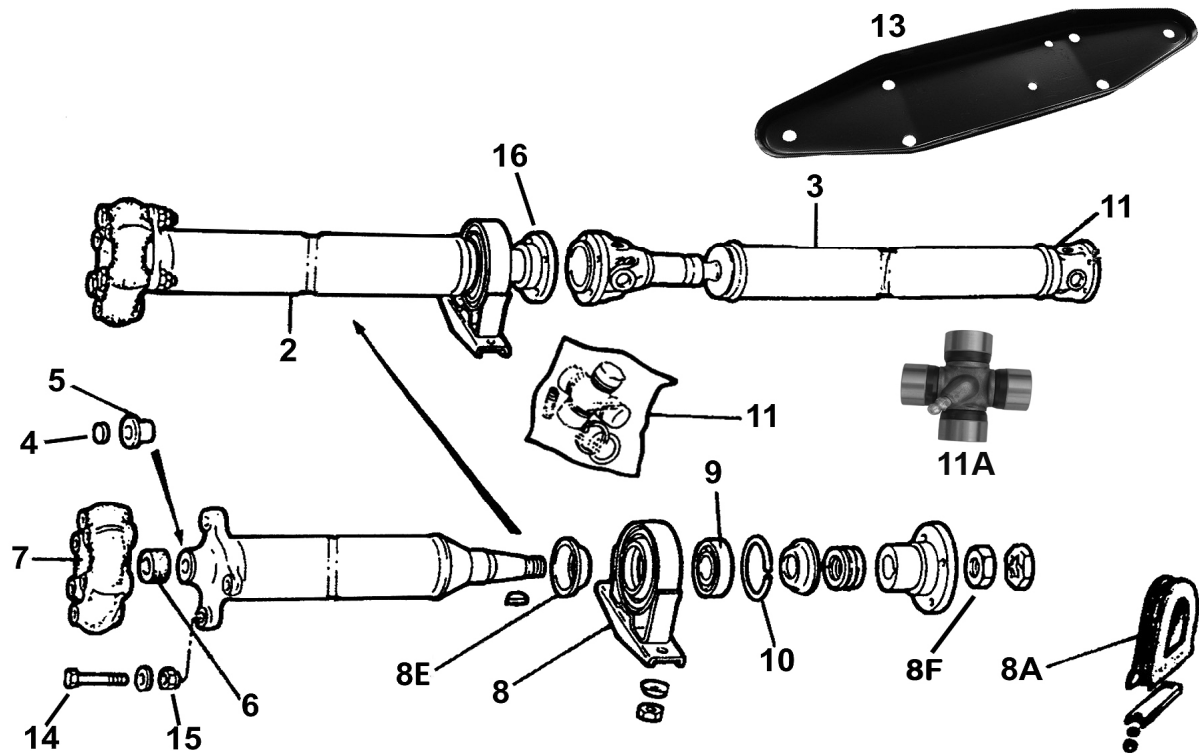
Used parts on request



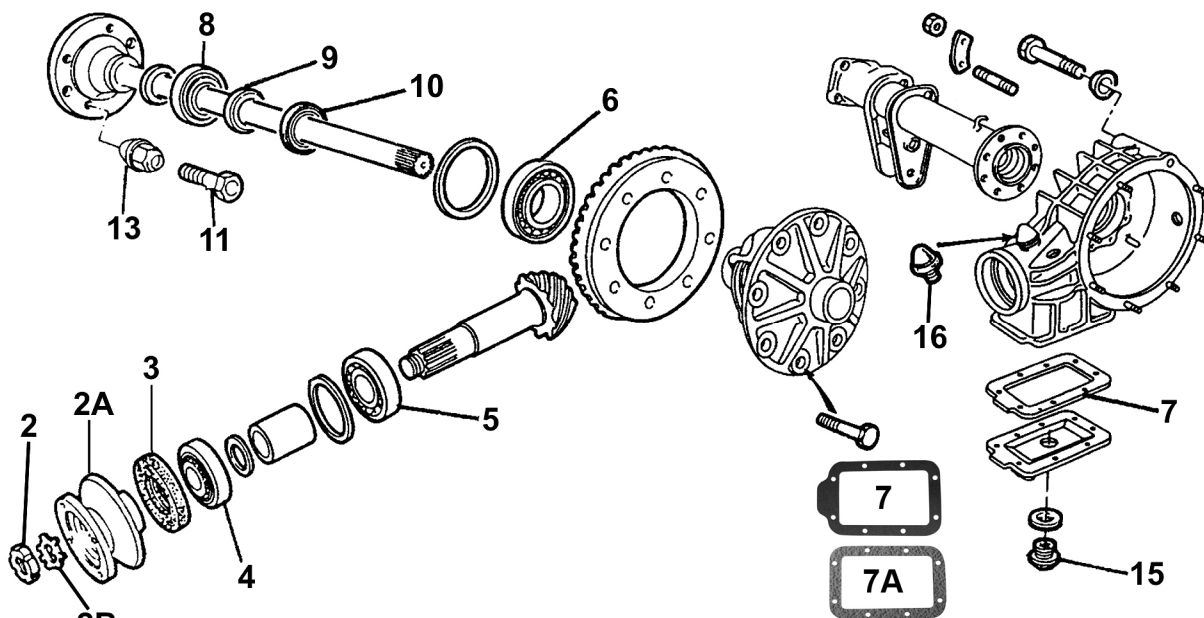
<u>Abb.</u>	<u>Item-nr.</u>	<u>Description</u>	<u>Year</u>	<u>Price</u> €
1	277-1	Anti-roll bar	67-86	297,--
2	277-2	Anti-roll bar	87-94	270,--
3	277-3	Rubber for Anti-roll bar	64-94	6,--
3A	277-3A	Rubber for Anti-roll bar , super flex, 24 mm	63-94	7,50
4	277-4	Mounting bracket for anti-roll bar rubber	64-94	8,15
4A	277-4A	screw for Rubber for Anti-roll bar	64-94	2,10
5	277-5	anti-roll bar drop link with vulcanised bush	68-86	32,--
6	277-6	bush for anti-rollbar arm drop link, diameter 30 mm	68-78	9,--
6A	277-6A	bush for anti-rollbar arm drop link 33 mm, 105/115/116/75	78-86	12,--
6B	277-6B	bush for anti-rollbar arm drop link 34mm	64-89	10,--
6C	277-6C	lower plastic bush for drop link anti-rollbar	63-68	5,--
7	277-7	Spring pan to drop link bolt	68-86	21,--
7A	277-7A	Spring pan to drop link bolt	86-94	29,--
7B	277-7B	nut for Spring pan to drop link bolt	86-94	2,--
8	277-8	bolt for spring plate to drop link	70-94	15,--
8A	277-8A	bolt for spring plate to drop link 1, series	54-69	17,--
9	277-9	left anti-roll bar drop link	86-94	39,--
9A	277-9A	left anti-roll bar drop link	86-94	39,--
10	277-10	front part for lower swinging arm	64-94	145,--
11	277-11	back part for lower swinging arm	64-94	145,--
12	277-12	inner part for lower swinging arm	64-94	160,--
13	277-13	fixation screw for swinging arm	64-94	3,10
13A	277-13A	nut for fixation screw swinging arm	63-94	2,--
16	277-16	complete bush for lower swinging arm	66-94	39,50
17	277-17	nut for bush	66-94	4,--
17A	277-17A	lock plate	64-94	4,50
18	277-18	cover cap for bush	66-94	5,90
19	277-19	screw for seating of shock-absorber	64-94	21,--
19A	277-19A	nut for fixation screw shock-absorber	63-94	2,--
19B	277-19B	small nut for screw support radius rod arm	63-94	1,50
20	277-20	screw bottom ball joint radius rod arm	64-94	3,10
20A	277-20A	nut for bottom ball joint radius rod arm	64-94	2,--
21	277-21	bottom ball joint radius rod arm	64-94	32,--
23	277-23	stopper cap, bearing arm, LH/RH	64-94	29,--
24	277-24	nut for bolt, spring plate	63-94	2,--
25	277-25	screw for spring plate	64-94	3,--



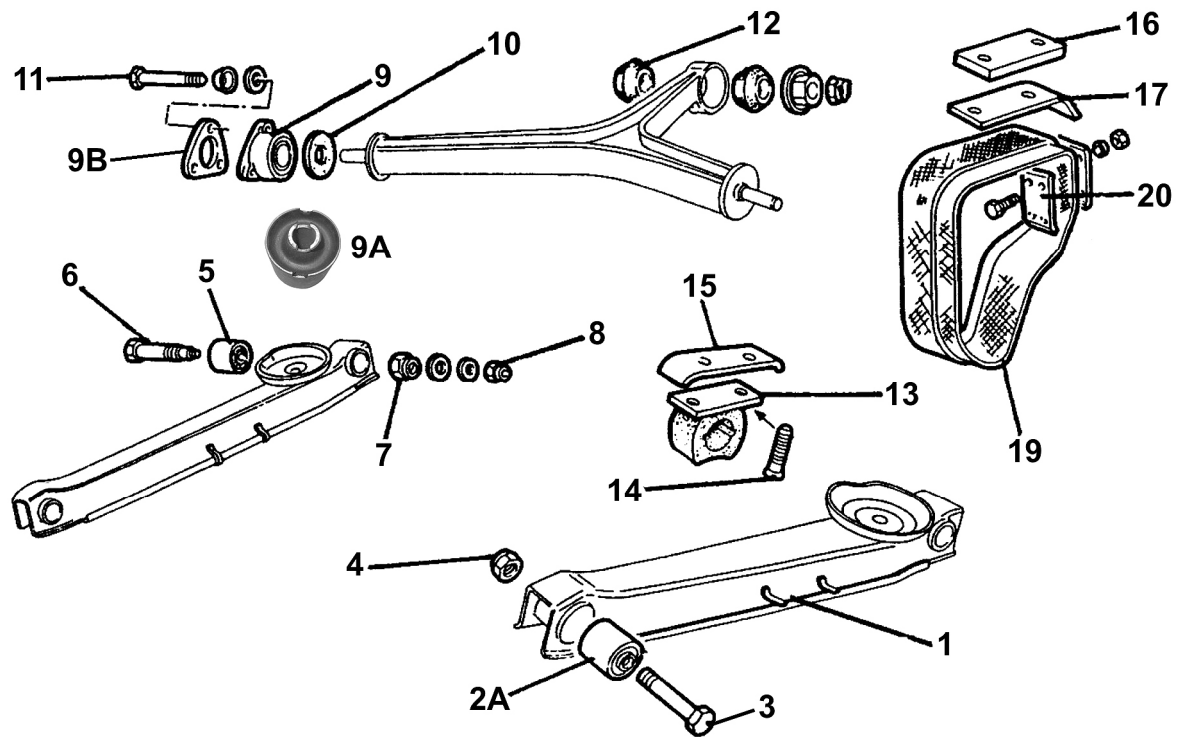
<u>Abb.</u>	<u>Item-nr.</u>	<u>Description</u>	<u>Year</u>	<u>Price €</u>
1	278-1	Upper control arm, Left	64-94	95,--
1A	278-1A	Upper control arm, Left, adjustable	64-94	148,--
2	278-2	Upper control arm, Right	64-94	95,--
2A	278-2A	Upper control arm, Right, adjustable	64-94	148,--
3	278-3	nut for upper control arm	64-94	1,55
4	278-4	split-pin for nut	64-94	0,50
5	278-5	outer bush for upper control arm, 20 mm high	64-74	10,--
5A	278-5A	outer bush for upper control arm, 23 mm high	74-94	9,50
6	278-6	plastic covering for upper control arm bush	64-94	3,50
7	278-7	bolt for outer control arm bush	64-94	3,60
8	278-8	bolt for inner control arm bush	64-94	9,50
8A	278-8A	great nut for bolt	64-94	3,--
9	278-9	Inner bush for control arm	64-94	16,--
10	278-10	screw for pull stiffener link at car body	64-94	2,90
11	278-11	pull stiffener link	64-94	32,--
12	278-12	pull stiffener liner	64-94	27,--
13	278-13	nut for pull stiffener	64-94	3,60
14	278-14	fork for pull stiffener	64-94	41,--
15	278-15	upper stopper gum	64-94	8,--
16	278-16	lower stopper gum with thread	64-94	15,--
16A	278-16A	lower stopper gum 1. series	64-69	22,--
17	278-17	aluminium disk for stopper gum	64-94	4,30
18	278-18	left spring plate	64-94	40,--
18A	278-18A	right spring plate	64-94	40,--
18B	278-18B	screw for spring plate, seating of radius rod	64-94	15,--
19	278-19	left spring plate (race / punched)	64-94	115,--
19A	278-19A	right spring plate (race / punched)	63-94	113,--
20	278-20	upper/lower rubber ring for spring	64-94	8,50
21	278-21	upper/lower metal sheet ring for spring	64-94	11,50
22	278-22	lower alloy spacer ring, 5mm	64-94	26,--
22A	278-22A	spacer ring for height compensation, 1cm	64-94	26,--
23	278-23	front spring	64-94	83,50
24	278-24	complete shock absorber, standard	64-94	62,--
24A	278-24A	shock absorber Bilstein gas pressure (strong)	63-94	120,--
24B	278-24B	front shock absorber, Alfa / Spica	64-94	95,--
24C	278-24C	front shock absorber, Koni, red	64-94	119,--
24D	278-24D	front shock absorber, Koni, yellow, adjustable	63-94	98,--
26	278-26	set upper shock absorber rubber, in front	64-94	7,--
27	278-27	lower shock absorber rubber	66-94	6,--
27A	278-27A	kit shock absorber rubber, lower, super flex 4 pieces	63-94	35,--



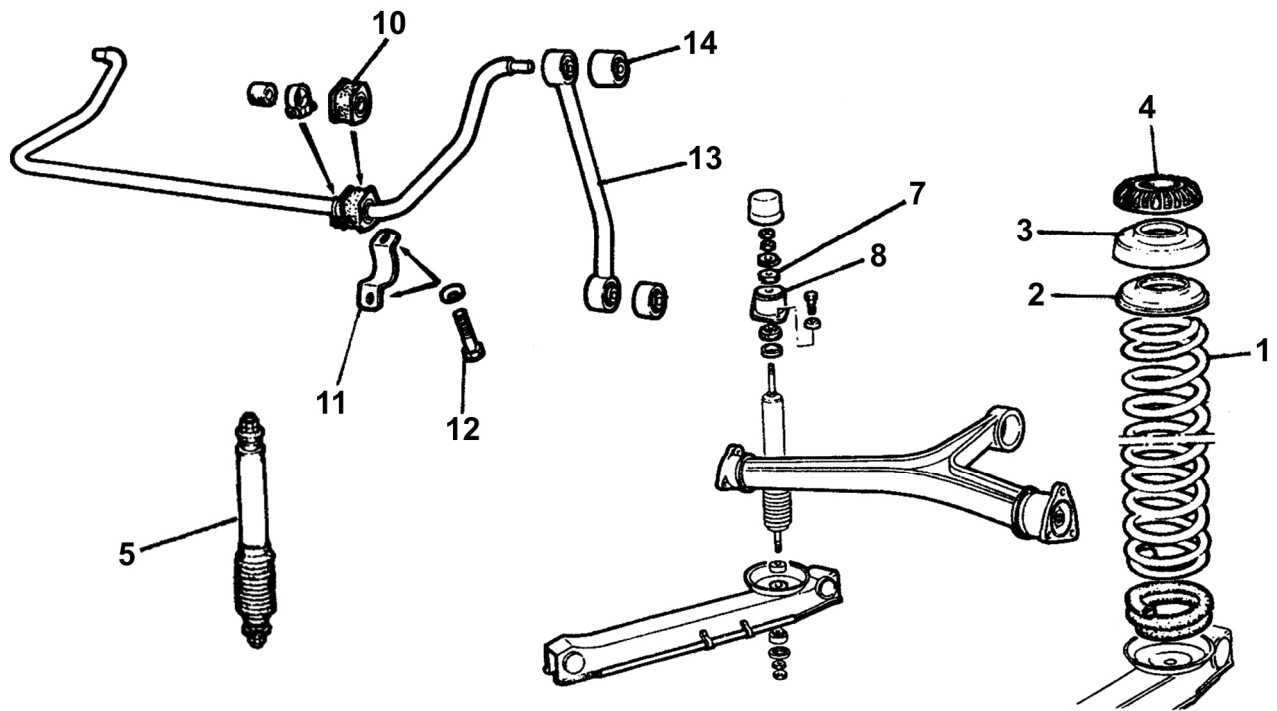
<u>Abb</u>	<u>Item nr</u>	<u>Description</u>	<u>Year</u>	<u>Price</u> €
1	279-1	back part of cardan shaft, new, Round tail Spider	66-69	335,--
2A	279-2A	front part of cardan shaft, with Hardy-disc + center bearing, replacement part	68-94	219,--
3	279-3	back part of cardan shaft, new, Spider	70-94	285,--
3C	279-3C	back part of cardan shaft, new, Giulia, Berlina	63-78	358,--
3D	279-3D	back part of cardan shaft, new, Bertone	63-77	358,--
3E	279-3E	pledge f. used p., will be at exempt from charges		100,--
4	279-4	pressure piece, transmission system, front cardan shaft	64-94	4,90
5	279-5	bearing sleeve, transmission system, front cardan shaft	64-94	39,--
6	279-6	stopper gum, transmission system, cardan shaft	64-94	6,50
7	279-7	Hardy-disc	64-94	47,--
7A	279-7A	Hardy-disc, strengthen (70 shore)	64-94	64,--
7B	279-7B	retainer aluminium for hardy disc		189,--
8	279-8	rubber bearing block for cardan shaft	68-94	42,--
8A	279-8A	rubber bearing for cardan shaft 1300 / 1600	63-68	21,50
8B	249-8B	screw nut for rubber bearing	63-94	4,90
8C	279-8C	rubber bearing for cardan shaft, reinforced 1300/1600/2000	70-94	65,--
8D	279-8D	cardan centre bearing block	62-68	85,--
8E	279-8E	cover for central bearing block x	63-94	15,--
8F	279-8F	nut for cardan centre bearing block		7,--
9	279-9	bearing for cardan shaft	67-94	16,--
9A	279-9A	bearing for cardan shaft, original quality	67-94	25,--
10	279-10	clamp ring	67-94	2,70
11	279-11	universal-joint shaft without grease nipple	66-94	33,50
11A	279-11A	universal-joint shaft	64-66	42,50
11B	279-11B	grease nipple (straight) for universal joint		6,--
11	279-11C	universal-joint shaft with grease nipple, made in Italy	67-94	43,--
12	279-12	repair set f. cardan shaft: Hardy-disc, rubber bearing, bearing, 2 universal-joint shafts	67-94	132,--
13	279-13	cardan shaft mount at center car body	67-94	69,--
14	279-14	screw, cardan shaft to transmission system	64-94	5,50
15	279-15	nut for screw 279-14	64-94	3,50
16	279-16	screw for cardan shaft centre or rear, 9 mm	67-94	4,--
16A	279-16A	screw for cardan shaft centre or rear, 8 mm	54-67	4,--
17	279-17	stop screw nut for drive shaft centre or rear, 9 mm	67-94	3,--
17A	279-17A	stop screw nut for drive shaft centre or rear, 8 mm	54-67	3,--
18	279-18	spring for dust cap, centre bearing, cardan shaft	57-94	8,--



<u>Abb.</u>	<u>Item-nr</u>	<u>Description</u>	<u>Year</u>	<u>Price</u> €
1	280-1	disc bevel wheel 10/43, 2,0 Spider	72-94	790,--
2	280-2	front fixation nut 1300 /1600 / 1750	63-94	25,--
2A	280-2A	front fixation nut 2000	69-94	13,--
2B	280-2B	safety plate1300/1600	68-94	4,50
2C	280-2C	muff for differential gear	63-94	110,--
3	280-3	front oil seal, 1300 / 1600 40X72X16	63-87	12,--
3A	280-3A	front oil seal, 2000	72-94	12,--
3B	280-3B	oil seal differential 1750 72x40x10	68-75	12,--
4	280-4	front differential gear bearing 1300 / 1600 / 1750	63-87	60,--
4A	280-4A	front differential gear bearing 2000	70-94	75,--
5	280-5	back differential gear bearing 1300 / 1600 / 1750	63-87	95,--
5A	280-5A	back differential gear bearing 2000	70-94	80,--
6	280-6	side differential gear bearing 1300 / 1600 / 1750	63-87	109,--
6A	280-6A	side differential gear bearing 2000	70-94	51,--
7	280-7	gasket for lower part of differential gear 1750 / 2000	68-94	6,--
7A	280-7A	gasket for lower part of differential gear 1300 / 1600	63-87	6,--
8	280-8	set back wheel bearing rear RH or LH 1,3/1,6/1,75 w. shrink collar + oil seal	63-72	65,--
8A	280-8A	set back wheel bearing rear RH or LH 1,3 – 2,0 w. shrink collar + oil seal	72-94	65,--
8B	280-8B	back wheel bearing	63-94	39,90
9	280-9	shrink collar for axle shaft	70-94	14,--
9A	280-9A	lock washer for castle nut, rear wheel bearing	54-72	6,--
9B	280-9B	castle nut rear wheel bearing	54-72	17,--
9C	280-9C	castle nut rear wheel bearing, Montreal		59,--
10	280-10	oil seal for axle shaft 52/30/10; 1300/1600/1750	63-72	10,50
10A	280-10A	oil seal for axle shaft 52/34/10; 1300 / 1600 /2000	73-94	10,--
11	280-11	wheel bolt, left-handed thread	63-82	7,90
11A	280-11A	wheel bolt, right-handed thread	63-94	7,90
11B	280-11B	wheel bolt, left-handed thread, 55 mm, Montreal		12,50
11C	280-11C	wheel bolt, right-handed thread, 55 mm, Montreal		12,50
14	280-14	oil filler plug	64-94	8,--
15	280-15	oil-drain plug	64-94	13,50
15A	280-15A	gasket ring for oil drain dug	63-94	1,60
16	280-16	stopper gum with shoulder bolt	63-94	16,--
17	280-17	cogwheel differential gear 1300 / 1600 / 1750	63-94	85,--
18	280-18	centre bolt for cogwheel	63-94	55,--
19	280-19	lower oil pan, differential 2000	70-94	99,--
20	280-20	locking plate double for nut Differential cover	54-94	6,--
21	280-21	locking plate double for nut axle tube	54-94	6,--
22	280-22	locking washer 2.0 mm for differential	70-94	85,--
23	280-23	friction disc 2.0mm internal gearing f. limited slip differential, molybdenum coated	70-94	90,--



<u>Abb.</u>	<u>Item- nr.</u>	<u>Description</u>	<u>Year</u>	<u>Price</u> €
1	281-1	guiding stiffener for rear axle without bush	63-94	115,--
2	281-2	front bush for guiding stiffener 36 mm	63-68	25,--
2A	281-2A	strengthened front bush for guiding stiffener, 50 mm	69-94	25,--
3	281-3	screw for thrust arm in front	63-94	5,50
4	281-4	nut for thrust arm rear in front	63-94	2,--
5	281-5	strengthened back bush for guiding stiffener	63-94	25,--
5A	281-5A	set strengthened bush f. guiding stiffener (4 p)	63-94	90,--
6	281-6	screw for thrust arm rear	63-94	20,--
7	281-7	big nut for thrust arm rear	63-94	3,--
8	281-8	small nut for thrust arm rear	63-94	1,30
9	281-9	outer part for reaction triangle	63-94	55,--
9A	281-9A	bush for reaction triangle	63-94	22,--
9B	281-9B	spacer disc for reaction triangle 3,5 mm	63-94	7,--
10	281-10	rubber disc at reaction triangle	63-94	4,50
11	281-11	screw for reaction triangle	63-94	4,50
12	281-12	rubber bush for reaction triangle	63-94	4,00
12A	281-12A	strengthened rubber bush for reaction triangle	63-94	7,40
13	281-13	stopper gum, rear axle	63-94	14,--
13A	281-13A	stopper gum, rear axle GTA	65-75	39,--
14	281-14	screw for stopper gum	63-94	2,--
15	281-15	safety metal sheet for stopper gum	63-94	11,--
16	281-16	spacer block	63-94	41,--
17	281-17	metal sheet for spacer block	63-80	9,--
18	281-18	set catch band, 45 mm broad, Giulia	64-72	32,--
18A	281-18A	set catch band, 45 mm broad, original material	64-72	49,--
19	281-19	catch band, 31 mm, inside, Giulia super, Spider, Bertone	67-94	12,--
19A	281-19A	catch band, 31 mm, outside, Giulia super, Spider, Bertone	67-94	12,--
19B	281-19B	set (2) catch band (1 side), 31 mm broad, original material	67-94	44,--
20	281-20	mounting set for catch band, 31 mm	66-94	10,--



<u>Abb.</u>	<u>Item-nr.</u>	<u>Description</u>	<u>Year</u>	<u>Price</u> €
1	282-1	spring, rear axle, Giulia	64-78	82,--
1B	282-1B	strengthened spring, Spider, Bertone	64-87	66,--
1C	282-1C	spring, Spider	87-94	82,--
2	282-2	metal sheet ring on top of spring	64-94	15,20
3	282-3	spacer disc, 11 mm	64-94	63,--
3A	282-3A	spacer disc, 16 mm	64-94	63,--
3B	282-3B	spacer disc, 21 mm	64-94	63,--
4	282-4	stopper gum for spring	64-94	8,--
5B	282-5B	standard shock absorber, oil pressure	64-94	62,--
5D	282-5D	red shock absorber, adjustable, Koni	66-94	119,--
5E	282-5E	yellow shock absorber, Koni	64-94	98,--
5F	282-5F	shock absorber, gas pressure, Bilstein	64-94	120,--
5G	282-5G	shock absorber, Spax, gas pressure	64-94	117,--
5H	282-5H	rubber for shock absorber, Bilstein	63-94	10,--
7	282-7	set (2) rubber for shock absorber	64-94	6,50
8	282-8	fixation sheet metal, jacket for shock absorber	64-94	8,--
8A	282-8A	rubber cap for upper shock absorber fixation	64-94	21,50
10	282-10	rear anti-roll bar rubber	64-94	6,--
11	282-11	mounting bracket for rear anti-roll bar	64-94	8,--
12	282-12	fixation screw for rear anti-roll bar	64-94	2,10
13	282-13	rear anti-roll bar side arm with bush	64-94	69,--
14	282-14	Bush for rear anti-roll bar side arm	64-94	10,--

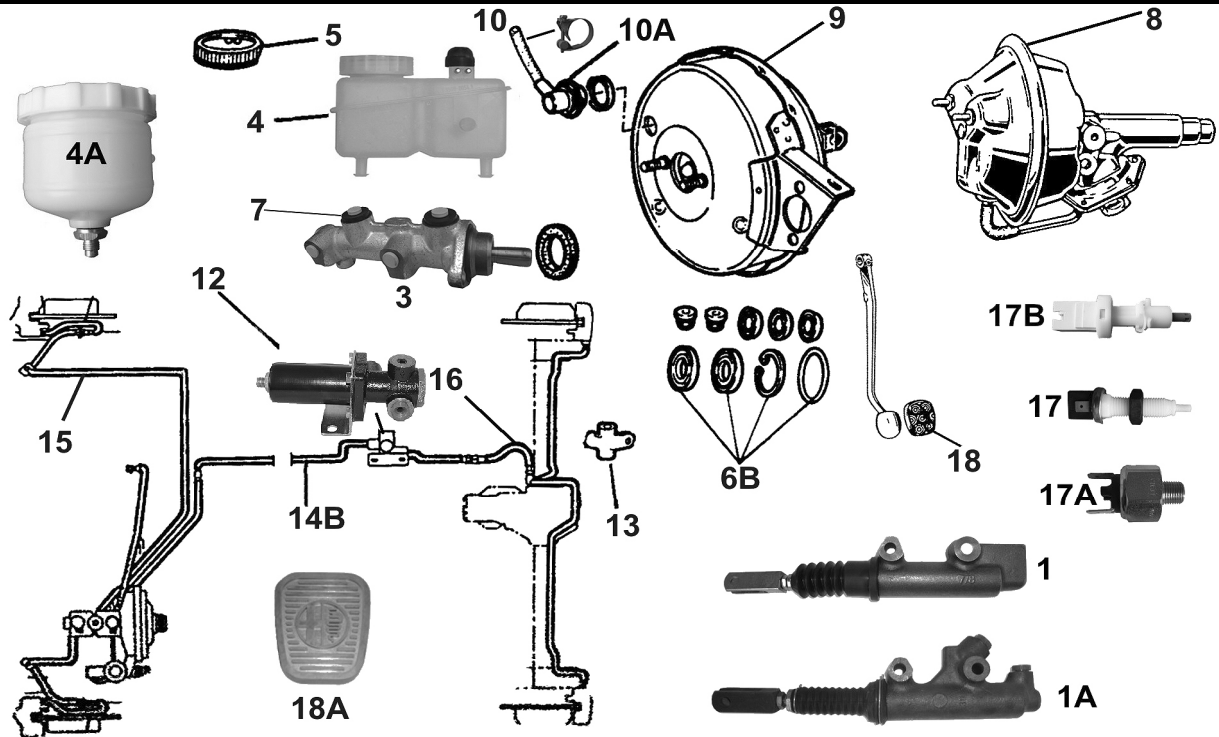
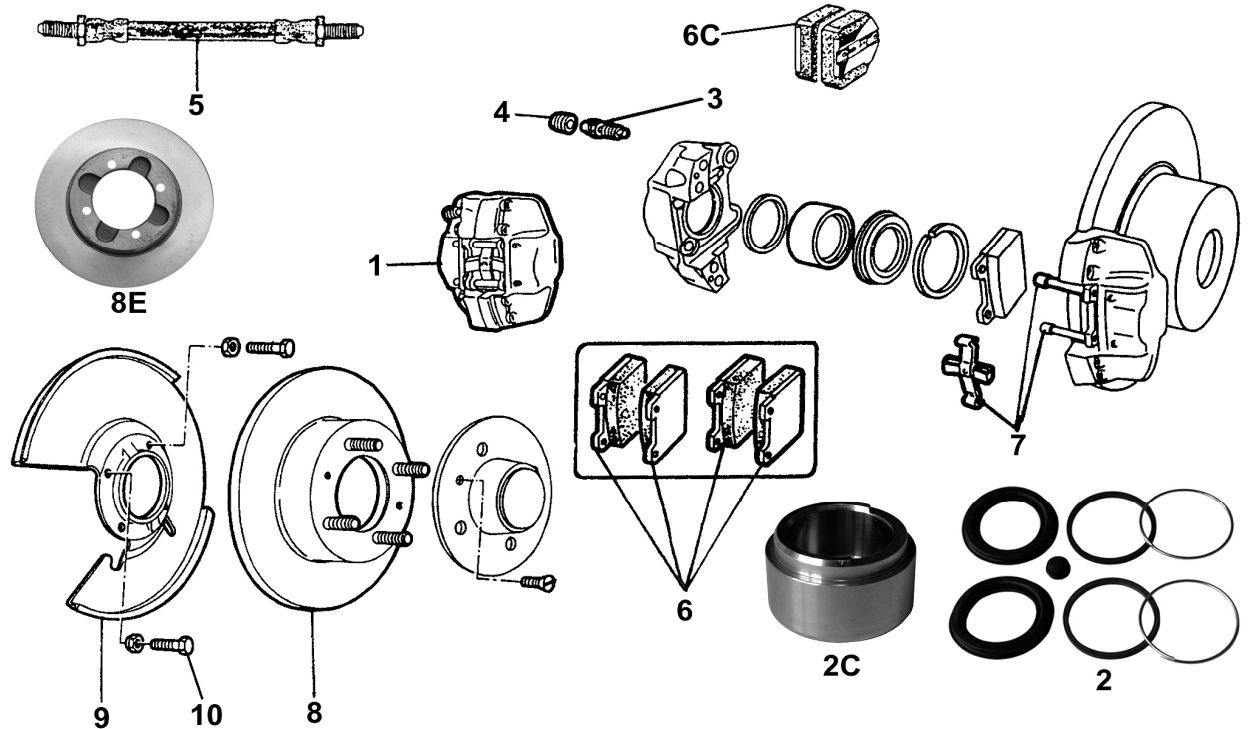
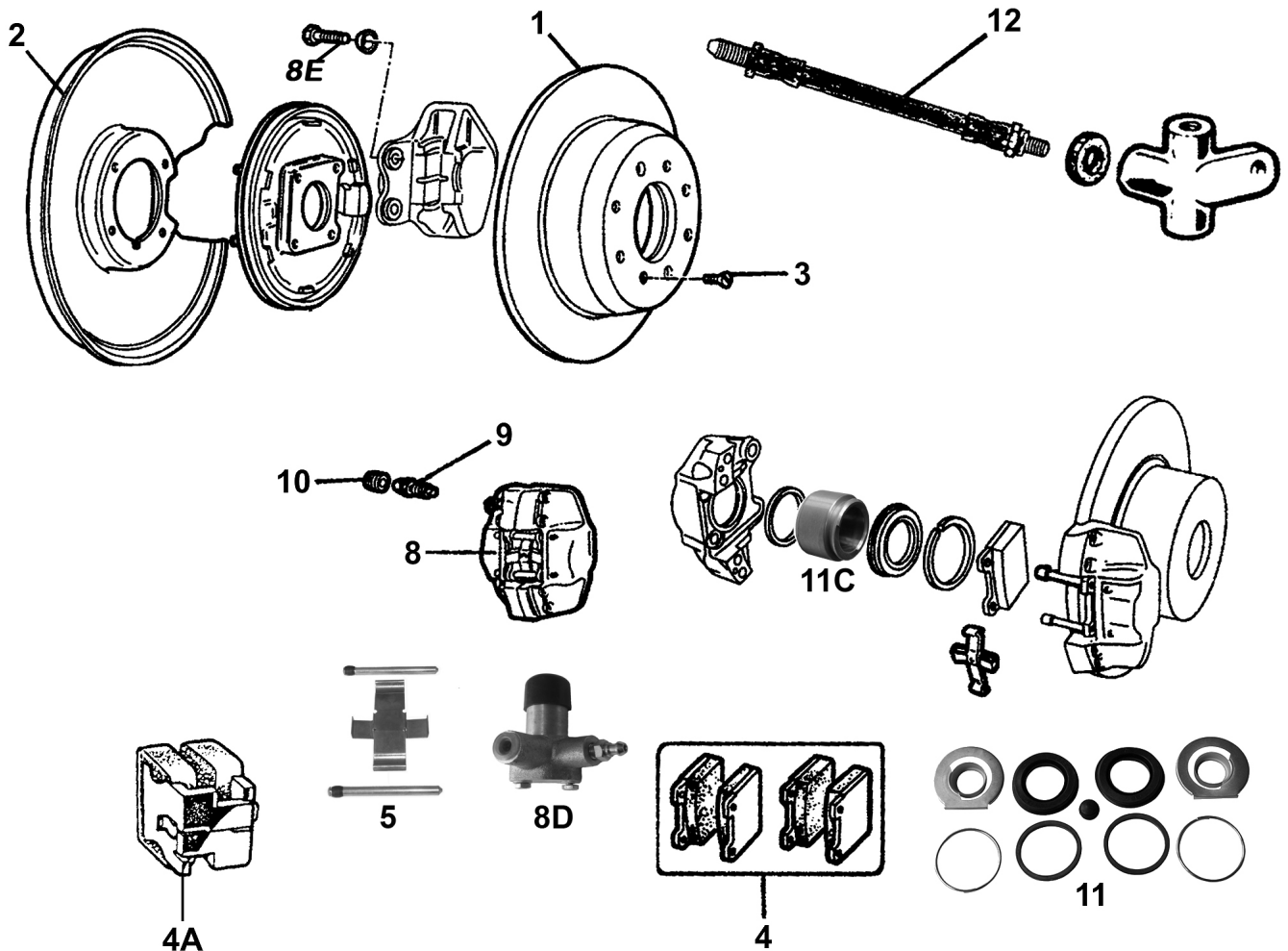


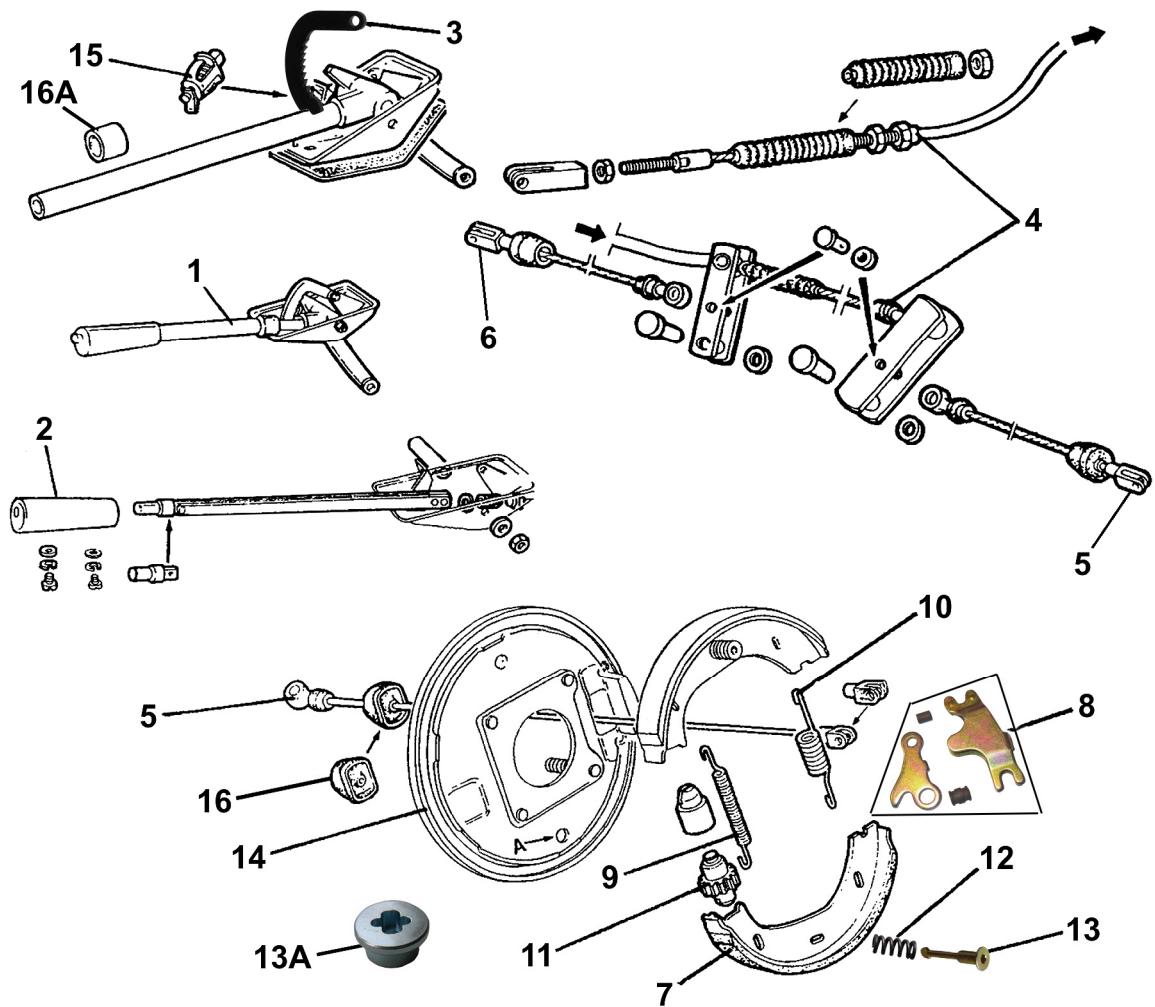
Abb	Item-nr.	Description	Year	Price €
1	283-1	main brake cylinder ATE 1300-1600, standing pedals, no booster	63-69	160,--
1A	283-1A	main brake cylinder ATE 22 mm 1300/1750 standing pedals	67-70	160,--
1B	283-1B	main brake cylinder ATE, 1750, dual-circuit	67-69	451,--
1C	283-1C	Fastening pin for main brake cylinder, standing pedals	63-69	8,--
2	283-2	main brake cylinder Bendix 1300 / 1600 / 1750 standing pedals	63-69	160,--
3	283-3	main brake cylinder 1300/1600/1750/2000, hanging pedals	70-94	78,--
3A	283-3A	main brake cylinder original ATE, 105/115	70-94	205,--
4	283-4	brake fluid tank	70-94	82,--
4A	283-4A	brake fluid tank, round, standing pedals	63-70	58,--
4B	283-4B	brake fluid tank, standing pedals, hydraulic	66-69	69,--
4C	283-4C	brake fluid tank, hanging pedals, (3 cap)	69-85	129,--
4D	283-4D	rubber application for brake fluid tank round	63-70	19,50
5	283-5	cap for brake fluid tank	70-94	8,--
5A	283-5A	metal cap for lid		13,--
6	283-6	repair set for main brake cylinder, 1300/1600, standing pedals, Dunlop, no booster	63-69	32,--
6A	283-6A	repair set for main brake cylinder, 1300/1600, standing pedals, ATE, no booster	63-69	32,--
6B	283-6B	repair set for main brake cylinder ATE 20 mm 1300-2,0, hanging pedals	70-94	28,--
6C	283-6C	repair set for main brake cylinder ATE 22 mm 1300-2,0, hanging pedals	70-94	32,--
7	283-7	rubber stopper for main brake cylinder	70-94	6,--
8	283-8	brake booster 1300/1600, standing pedals	67-69	369,--
8A	283-8A	brake booster, 1750, standing pedals	68-69	445,--
8B	283-8B	brake booster, replacement part, standing pedals 1300 / 1600	66-69	250,--
8C	283-8C	Repair set for brake booster, Bonaldi 1300/1600	63-69	110,--
8D	283-8D	pledge f. used p.1,3/1,6, will be at exempt from charges reconsignment, (14 day's) repaid	63-69	120,--
8E	283-8E	Repair set for brake booster, Lockheed 1750	63-69	150,--
9	283-9	brake booster hanging pedals	71-94	295,--
9A	283-9A	brake booster, replacement part, 1300/1600/1750/2000	71-94	249,--
9B	283-9B	pledge for replacement parts, will be paid back when the used, revisable part returns	70-94	80,--
10	283-10	depression hose for brake booster	68-94	16,50
10A	283-10A	return valve for brake force regulator		44,--
10B	283-10B	fixation clamp original Romablok (17-19 mm)	58-94	5,--
11	283-11	brake force regulator 1. Series	63-70	230,--
12	283-12	brake force regulator - return valve, rear axle	70-94	230,--
12A	283-12A	brake force regulator Bonaldi, Spider, GT, Giulia, Alfetta	<84	127,--
13	283-13	brake force distributor, rear axle	70-94	27,--
14B	283-14B	set of air brake system pipes, Spider, Bertone	70-94	79,--
14C	283-14C	set of air brake system pipes, Giulia	70-78	79,--
15	283-15	brake line at front brake calliper, 1300/1600		8,50
15A	283-15A	brake line at front brake calliper, 1750/2000		8,50
17	283-17	switch for brake light, hanging pedals	70-89	18,--
17A	283-17A	switch for brake light, standing pedals	63-69	18,--
17B	283-17B	switch for brake light, hanging pedals	90-94	18,--



<u>Abb.</u>	<u>Item-nr.</u>	<u>Description</u>	<u>Year</u>	<u>Price</u> €
1B	284-1B	front brake calliper, LH 1750/2000	67-94	169,--
1C	284-1C	front brake calliper, RH 1750/	67-94	169,--
1D	284-1D	front left brake callipers, replacement parts 1300/16600	67-86	149,--
1E	284-1E	front right brake callipers, replacement parts 1300 / 1600	67-86	149,--
1G	284-1G	front left brake callipers, replacement parts 1750 / 2000	70-94	149,--
1H	284-1H	front right brake callipers, replacement parts, 1750 /2000	70-94	149,--
1J	284-1J	left front brake calliper 1300/1600	67-94	169,--
1K	284-1K	right front brake calliper 1300/1600	67-94	169,--
1L	284-1L	pledge f. used part, will be exempt from charges reconsignment, (14day's) repaid		70,--
2	284-2	repair sit for 2 front brake callipers, 47 mm	67-94	29,--
2A	284-2A	steel circle for front brake calliper, ATE	67-94	2,50
2B	284-2B	brake cylinder in front, Dunlop	63-66	81,--
2C	284-2C	brake piston 48 mm	67-94	17,--
2D	284-2D	repair sit for 2 front brake calliper, Dunlop	63-67	55,--
2E	284-2E	brake piston for front (Dunlop)	63-67	98,--
3	284-3	venting nipple for brake calliper 1300/1600	63-87	7,--
3A	284-3A	venting nipple for brake calliper in front 1750/2000	68-94	7,--
4	284-4	dust protection cap for venting nipple	63-94	2,--
5	284-5	front brake-hose	66-94	18,--
5A	284-5A	nut for brake-hose	64-94	1,50
5B	284-5B	bracket for brake hose front left	from 68	15,--
5C	284-C	bracket for brake hose front right	from 68	15,--
6	284-6	set of front chock blocks 1300/1600	67-94	24,--
6A	284-6A	set of front chock blocks 1300 / 1600', Fedoro		34,50
6B	284-6B	set of front chock blocks 1750/2000/Montreal	68-94	24,--
6C	284-6C	set of front chock blocks, Dunlop brake system	63-66	110,--
6D	284-6D	set of front sport chock blocks, Dunlop (friction 0,55)	63-69	119,--
6E	284-6E	set of front chock blocks 17500 / 2000 / Montreal, Fedoro	68-94	42,--
7	284-7	fixation set for front chock blocks 1300 /1600	67-86	8,--
7A	284-7A	fixation set for chock blocks 1750 / 2000	70-94	8,50
8	284-8	front brake disc 267 mm Ø, 1300/1600	69-87	59,--
8B	284-8B	front brake disc 272 mm Ø, 1750/2000	68-93	64,90
8E	284-8E	front brake disc, Dunlop brake system	63-67	185,--
8F	284-8F	front brake disc, ATE, 1. series, 1300/1600	66-68	160,--
9	284-9	protective plate for front brake disc, LH, 1300/1600	68-86	46,50
9A	284-9A	protective plate for front brake disc, RH, 1300/1600	68-86	46,50
9B	284-9B	protective plate for front brake disc, LH, 1750/2000	68-94	45,--
9C	284-9C	protective plate for front brake disc, RH, 1750/2000	68-94	45,--
10	284-10	fixation screw for brake calliper in front	67-94	4,50



<u>Abb.</u>	<u>Item-nr.</u>	<u>Description</u>	<u>Year</u>	<u>Price</u> €
1	285-1	brake disc, rear, Dunlop	66-68	189,--
1A	285-1A	rear brake disc	69-94	57,--
1B	285-1B	Set brake calliper, sport, punched	63-94	231,--
2	285-2	protective plate for rear brake disc	67-94	40,--
3	285-3	fixation screw for brake disc	67-94	2,30
4	285-4	set of chock blocks (4 units)	67-94	21,--
4A	285-4A	set of rear brake pads, 4 units, Dunlop	63-66	135,--
4B	285-4B	set of rear brake pads, Ferodo 1300 /1600 /1750 /2000	67-94	39,--
5	285-5	fixation set for chock blocks, rear	67-94	8,--
8	285-8	set of brake calipers, rear, replacement parts (piston 38 mm)	67-94	285,--
8A	285-8A	brake calliper, rear , left, replacement part	67-94	155,--
8B	285-8B	brake calliper rear, right, replacement part	67-94	155,--
8C	285-8C	pledge f. used p., will be at exempt from charges reconsignment, (14 day's) repaid	66-94	70,--
8D	285-8D	wheel brake cylinder (rear/ Dunlop)	63-66	85,--
8E	285-8E	Fastening screw for brake calliper	69-94	4,50
9	285-9	venting nipple for brake calliper	67-94	7,--
10	285-10	dust protection cap for venting nipple	67-94	2,--
11	285-11	repair set for 2 brake calipers, rear 38 mm incl. steel spring washers	67-94	39,--
11A	285-11A	repair set for 2 brake calliper, rear 30 mm	66-69	52,--
11B	285-11B	Steel spring for back brake calliper		2,50
11C	285-11C	brake piston 38 mm	67-94	17,--
12	285-12	brake-hose, rear	67-94	17,--
12A	285-12A	nut for brake-hose	63-94	1,50
16	285-16	fixation plate for brake rear, left or right	67-94	160,--



<u>Abb.</u>	<u>Item-nr.</u>	<u>Description</u>	<u>Year</u>	<u>Price</u> €
1	286-1	handbrake lever	66-94	135,--
2	286-2	black plastic handle for handbrake	83-94	38,--
2A	286-2A	beige plastic handle for handbrake	83-94	50,--
2C	286-2C	burl wood handle for handbrake	64-94	56,--
2D	286-2D	handbrake lever plastic black	66-82	29,--
3	286-3	gear segment (stainless steel) for handbrake lever	64-94	18,90
3A	286-3A	complement to handbrake cable	63-94	9,50
4	286-4	handbrake cable (Spider ATE)	68-94	58,--
4A	286-4A	handbrake cable, Giulia	70-78	53,--
4B	286-4B	handbrake cable, GT, Bertone	64-77	53,--
5	286-5	handbrake cable, LH side with rubber sealing	64-94	9,--
5A	286-5A	rear left handbrake cable (Dunlop)	63-67	79,--
6	286-6	handbrake cable, RH side with rubber sealing	64-94	9,--
6A	2866A	rear right handbrake cable (Dunlop)	63-67	79,--
7	286-7	set of handbrake shoes (4 units)	64-94	34,--
8	286-8	splayed lock (one set, per side)	67-94	19,--
9	286-9	fixation spring for front brake shoes	67-94	5,--
10	286-10	fixation spring for brake shoe, rear	67-94	4,50
11	286-11	gear segment for brake shoe	64-94	48,--
12	286-12	spring for brake shoe center	64-94	2,25
13	286-13	pin for brake shoe	64-94	5,90
13A	286-13A	counter piece for pin	63-94	8,--
14	286-14	rear brake armature plate	64-94	160,--
15	286-15	switch for handbrake lighting	64-94	10,--
16	286-16	sleeve for brake cable	63-94	6,50
16A	286-16A	rubber for handbrake lever	63-94	6,50



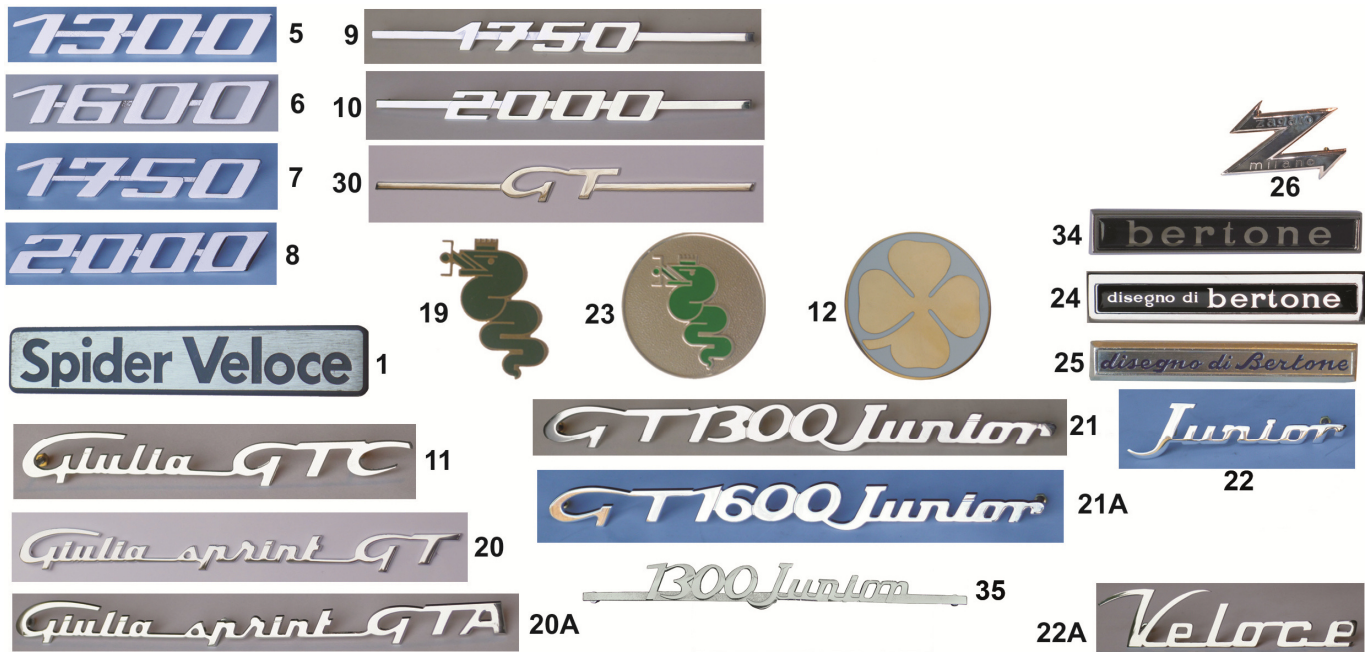
<u>Abb.</u>	<u>Item-nr.</u>	<u>Description</u>	<u>Year</u>	<u>Price</u> €
1	287-1	silver steel wheel rim, for big hubcap, 5,5 x 14	63-89	130,--
2	287-2	alloy wheel rim 5,5 x 14, ET 38 campagnolo style, millerighe replica	63-94	215,--
3	287-3	alloy wheel rim (Cromodora) 6 x 14 « , ET 24, Spider GT	64-89	265,--
3A	287-3A	alloy wheel rim (Cromodora) 6 x 14 " , ET 30 Giulia	63-78	265,--
4	287-4	set alloy wheel rim, 6,5x14, BE 27 mm, GTA	63-77	1050,--
4A	287-4A	alloy wheel rim, GTA replica 6 x 14, ET 30 mm	63-94	220,--
4B	287-4B	alloy wheel rim, GTA replica 7 x 14, BE 23 mm	63-94	249,--
4C	287-4C	alloy wheel rim, GTA replica 7 x 15, BE 29 mm	63-94	275,--
4D	287-4D	alloy wheel rim, GTA replica 6 x 15, BE 30 mm	63-94	269,--
5	287-5	alloy wheel rim 5,5 x 15 TZ, ET 36 mm	62-71	230,--
5A	287-5A	alloy wheel rim 5 x 15 TZ/TI, ET 36 mm	62-71	215,--
5B	287-5B	alloy wheel rim 5,5 x 15 TZ/TI, ET 36 mm, with brackets	62-71	250,--
9	287-9	hubcap, chrome with embossed emblem	63-67	89,--
10	287-10	hubcap with small script circle	63-67	75,--
11	287-11	hubcap with big script circle	66-70	45,--
12	287-12	hubcap with embossed emblem	70-82	55,--
13	287-13	hubcap with attached emblem	70-82	60,--
14	287-14	hubcap blind for steel wheel rim with alfa emblem, orig.	90-94	49,--
15	287-15	hubcap-emblem for alloy wheel rim, 48 Ø, silver - black	63-82	6,50
16	287-16	hubcap-emblem for alloy wheel rim, 48 Ø, black - silver	63-82	6,50
17	287-17	hubcap-emblem for original alloy wheels	90-94	14,80
18	287-18	fixation ring for hubcap-emblem (287-17)	78-94	4,60
19	287-19	set of chromed valve caps with Alfa-emblem (metal)	63-94	18,--
20	287-20	wheel nut, chromed cap nut, left-handed thread	63-70	10,--
20A	287-20A	wheel nut open, right-hand thread, chromed	63-70	10,--
21	287-21	wheel nut, of brass, left-handed thread	56-72	8,25
21A	287-21A	wheel nut, open, right-hand thread, of brass	56-72	8,25
22	287-22	wheel nut, collar cap nut, right-handed thread chromed, steel rim	63-86	7,50
22A	287-22A	wheel nut, collar cap nut, left-handed thread, chromed steel rim	63-86	7,50
23	287-23	chromed wheel nut (for alloy wheel rim) right-hand thread	63-94	4,50
24	287-24	chromed wheel nut for alloy rim, left hand thread	63-70	7,50
25	287-25	chromed wheel nut for alloy rim	87-94	8,50



<u>Abb</u>	<u>Item-nr.</u>	<u>Description</u>	<u>Year</u>	<u>Price</u> €
1	288-1	longish exterior mirror with embossed Alfa emblem	66-94	41,--
1A	288-1A	repair kit (glass + gasket) for exterior mirror oblong	66-94	14,90
2	288-2	round exterior mirror foot 25 mm wide, with embossed Alfa emblem	66-94	38,--
2A	288-2A	round exterior mirror, foot 25 mm wide, no Alfa emblem	66-94	49,--
2B	288-2B	round exterior mirror, with embossed Alfa emblem, foot 22 mm wide	66-94	37,--
2C	288-2C	round exterior mirror, without emblem foot 22 mm wide	66-94	45,--
2D	288-2D	round exterior mirror w. embossed Alfa emblem, Marini (KBA no) foot 25 mm wide	70-94	49,--
2E	288-2E	round exterior mirror with embossed Alfa emblem, Marini (KBA no.) foot 22 mm wide	63-94	49,--
3	288-3	mirror to clip Bertone, Giulia	63-69	50,--
4	288-4	black left exterior mirror	87-89	on request
4A	288-4A	black right exterior mirror	87-89	on request
5	288-5	left exterior mirror	90-94	195,--
5A	288-5A	right exterior mirror	90-94	195,--
6	288-6	mirror underlay	87-89	13,--
7	288-7	mirror underlay	90-94	8,--
8	288-8	installation kit for chrome foot 25 mm wide (2 screws, 1 gasket)	66-94	5,--
8A	288-8A	gasket for chrome foot 22 mm wide		3,--
10A	288-10A	repair kit (2 glasses) for interior mirror	83-94	26,--
12	288-12	radiator grill, Spider - round rear end	66-69	395,--
13	288-13	Radiator grill, Spider	70-82	130,--
16	288-16	Radiator grill, Spider	83-89	18,--
17	288-17	exterior mirror, chrome, Giulietta Sprint, Spider	56-65	50,--
18	288-18	chrome ring, metal for additional instruments	63-86	25,--
20	288-20	heater blind, plastic, Spider, Giulia, GT without centre console 1,3/1,6	66-78	59,--
21	288-21	chrome blind heater actuation part, Spider, Bertone, Giulia, with centre cons. 1,3/1,6	70-86	36,--



<u>Abb.</u>	<u>Item-nr.</u>	<u>Description</u>	<u>Year</u>	<u>Price</u> €
1	289-1	Giulia 1300 writing		25,--
2	289-2	Giulia 1300 ti writing		38,--
3	289-3	Giulia 1600 writing		40,--
4	289-4	Giulia ti writing		35,--
5	289-5	Giulia super ti writing		36,--
6	289-6	Giulia super writing		35,--
7	289-7	Nuova 1300, writing, Giulia		35,--
9	289-9	Alfa Romeo sign, metal		20,--
10	289-10	Alfa Romeo sign, metal		20,--
11	289-11	Alfa Corse sign, metal		20,--
12	289-12	Centro Stile Alfa Romeo sign, metal		20,--
13	289-13	clover leaf green, metal		31,--
14	289-14	Racing Team sign, metal		31,--
15	289-15	Alfa Corse sign, metal		31,--
16	289-16	Bertone writing		30,--
17	289-17	Bertone emblem enamelled		45,--
17A	289-17A	Bertone emblem		29,--
18	289-18	Bertone emblem gold colour, enamelled		38,--
19	289-19	Set Bertone sign, Montreal		160,--
20	289-20	Alfa Corse sign, metal		25,--
21	289-21	Clover leaf		20,--
22	289-22	Radio blind, Giulia	67-78	75,--
23	289-23	Giulia writing		29,--
24	289-24	Bertone sign, metal with gasket		60,--



<u>Abb.</u>	<u>Item-nr.</u>	<u>Discription</u>	<u>Year</u>	<u>Price</u> €
1	290-1	Alfa Spider Veloce	83-89	40,--
2	290-2	Alfa Spider 2,0	83-89	40,--
3	290-3	Alfa Spider 1,6	83-89	40,--
5	290-5	chrome writing 1300, Spider	70-82	44,--
6	290-6	chrome writing 1600, Spider	70-82	48,--
7	290-7	chrome writing 1750, Spider / Bertone	70-82	44,--
8	290-8	chrome writing 2000, Spider	70-82	43,--
9	290-9	chrome writing for rear flap, 1750 Spider, Bertone	68-73	75,--
10	290-10	chrome writing for dashboard, 2000 Bertone	70-78	75,--
11	290-11	Giulia GTC writing	66-73	75,--
12	290-12	clover leaf enamelled coloured white-gold with chrome frame on c-pillar, 1750		85,--
12A	290-12A	clover leaf enamelled coloured white-gold with chrome frame on c-pillar, 1750		85,--
19	290-19	set snakes silver-green, enamelled, left, C- pillar	63-77	78,--
20	290-20	Giulia sprint GT, writing	63-94	90,--
20A	290-20A	Giulia sprint GTA writing	63-69	90,--
21	290-21	GT 1300 Junior, writing	63-94	90,--
21A	290-21A	GT 1600 Junior writing	63-94	90,--
22	290-22	Junior writing	63-94	43,--
22A	290-22A	Veloce writing	63-69	70,--
23	290-23	set green snakes, left and right, GT	70-77	92,--
24	290-24	disegno di Bertone	69-77	38,--
25	290-25	disegno di Bertone, metal	63-69	42,--
26	290-26	Zagato Milano sign, sideway	63-94	39,--
27	290-27	Zagato sign, rear, chromed	63-75	42,--
29	290-29	fixation spout or nut for emblem or writing	63-94	1,--
30	290-30	GT sign	63-94	72,--
34	290-34	sign Bertone	70-80	38,--
35	290-35	1300 Junior, chromed writing	63-69	99,--



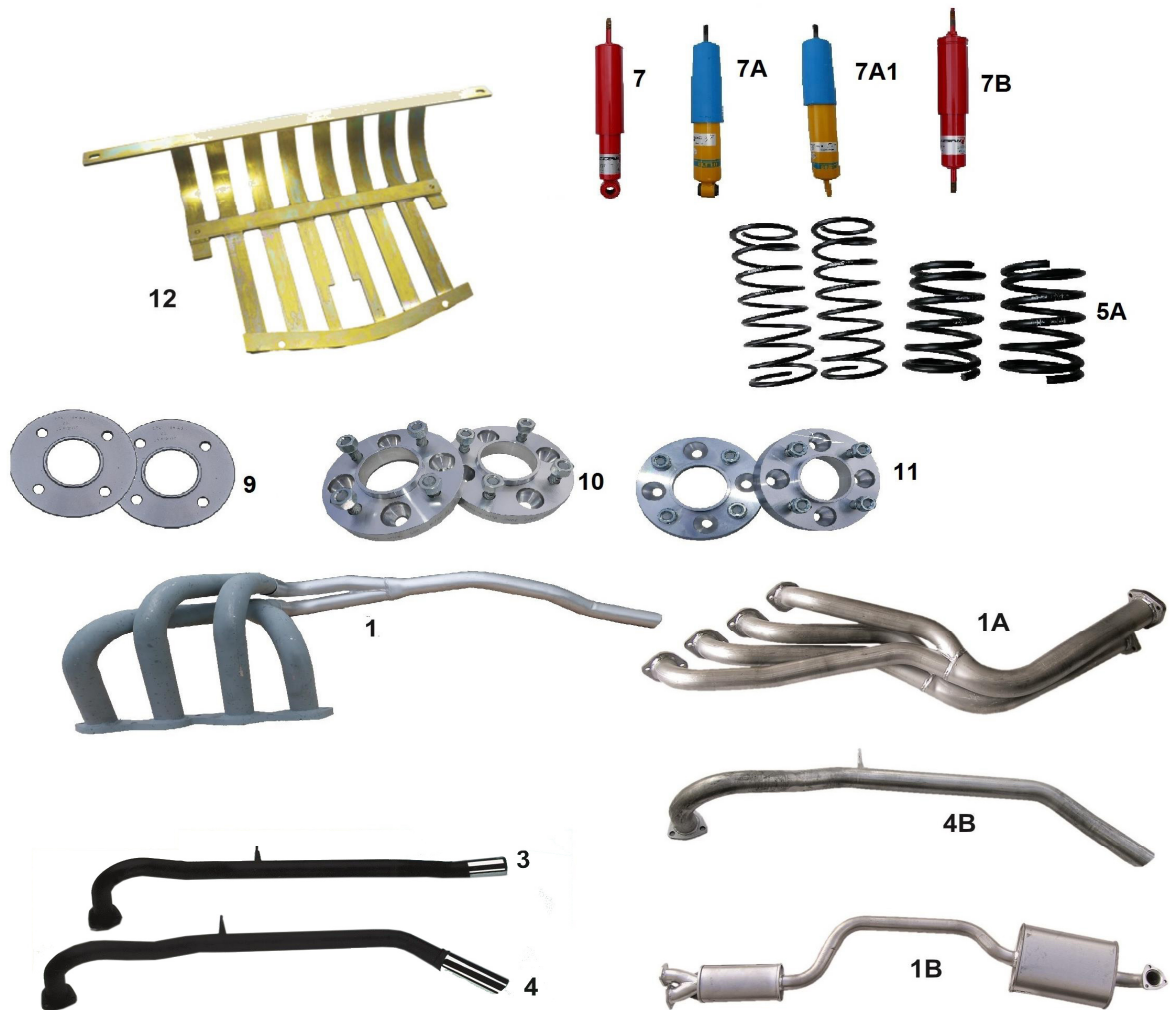
Abb.	Item-nr.	Description	Year	Price €
1	291-1	Alfa Romeo writing, metal chromed, one part (to be plugged),	70-82	86,--
1A	291-1A	Alfa Romeo writing, metal chromed, adhesive	70-89	35,--
2	291-2	Alfa Romeo writing, chromed, one-part, 24 cm long	90-94	18,--
2A	291-2A	writing Spider, for gluing, plastic	90-94	20,--
2B	291-2B	sign 2.0 Spider, plastic	90-94	15,--
2C	291-2C	writing Veloce (self-adhesive), plastic	90-94	21,--
3	291-3	Alfa Romeo writing, chromed, two-parts	66-69	83,--
4	291-4	Alfa Romeo Milano - Emblem, enamelled, to screw on	63-94	38,--
4A	291-4A	plastic Alfa Romeo Milano emblem	63-94	26,--
5	291-5	plastic Alfa Romeo emblem	70-82	26,50
6	291-6	Alfa Romeo emblem 75 mm, plastic	ab 83	22,--
7	291-7	enamelled Pininfarina emblem	66-72	29,--
7A	291-7A	enamelled Pininfarina emblem, 4,2 x 1,8 cm	63-94	18,--
7B	291-7B	Pininfarina emblem 2-parts, Giulietta Spider, Lancia, Ferrari		44,--
8	291-8	Pininfarina emblem sideway for sticking, plastic	70-86	25,--
9	291-9	longish Pininfarina emblem, convex, plastic	86-94	25,--
10	291-10	Pininfarina emblem for dashboard, plastic	66-82	97,--
11	291-11	Pininfarina emblem for dashboard, plastic	71-82	100,--
12	291-12	disegno di Pininfarina, sideways, at mudguard Alfa, Fiat, Ferrari	63-94	60,--
12A	291-12A	Pininfarina writing (Alfa, Fiat, Ferrari)	63-94	75,--
13	291-13	Pininfarina writing	95 >	30,--
14	291-14	rubber underlay for Pininfarina emblem	63-94	3,70
15	291-15	fixation spout or nut for emblem or writing	70-94	3,--
16	291-16	complete set with 7 different pins	63-94	49,--
16A	291-16A	Alfa pin (specify type!)	63-94	10,--
17	291-17	Pininfarina pin	63-94	10,--
18	291-18	pin set, evolution of the Alfa emblem from 1910; pin set	63-94	45,--



Abb.	Item-nr.	Description	Year	Price €
1	292-1	Key fob Alfa Romeo snake (green, yellow or red)	63-94	10,--
2	292-2	Key fob Alfa 147	63-94	10,--
2A	292-2A	Key fob Alfa radiator grill, 147	63-94	10,--
3	292-3	Key fob Alfa heart, red	63-94	10,--
4	292-4	Key fob Alfa heart, blue	63-94	10,--
5	292-5	Key fob Alfa 156, blue	63-94	10,--
6	292-6	Key fob Alfa 156, red	63-94	10,--
7	292-7	Key fob Alfa Romeo 156	63-94	10,--
8	292-8	Key fob shamrock	63-94	10,--
9	292-9	Key fob leather brown with laurel wreath- Alfa Romeo	63-94	15,--
10	292-10	Key fob Alfa Romeo with Italian flag	63-94	15,--
11	292-11	Key fob external metal, internal wood w. Alfa Romeo Emblem	63-94	12,--
13	292-13	Key fob luxury with Alfa Emblem silver-coloured	63-94	16,--
14	292-14	Key fob luxury with Alfa-Emblem, Metal	63-94	16,--
15	292-15	Key fob luxury with Pininfarina-Emblem Metal	63-94	16,--
16	292-16	Key fob luxury round, with Alfa Romeo Emblem	63-94	16,--
17	292-17	Key fob with Pininfarina Emblem	63-94	12,--
18	292-18	Key fob black leather with Alfa-Emblem Milano	63-94	12,--
19	292-19	Key fob Alfa Romeo, Metal	63-94	16,--
20	292-20	Key fob, leather red, with Alfa Romeo Emblem	63-94	15,--
21	292-21	Key fob, leather beige, with Alfa Romeo Emblem	63-94	15,--
22	292-22	Key fob, (wheel with Alfa Romeo Emblem	63-94	12,--
23	292-23	Key fob with Alfa Emblem / black strip	63-94	10,--
24	292-24	Key fob with Alfa Emblem / strip Italian colours	63-94	10,--
25	292-25	Key fob with Alfa Emblem / red strip	63-94	10,--
26	292-26	Key fob with Alfa emblem, round, wood optics	63-94	12,--
27	292-27	Key fob, Alfa Corse	63-94	10,--



<u>Abb.</u>	<u>Item-nr.</u>	<u>Description</u>	<u>Year</u>	<u>Price</u> €
1	293-1	type plate, sheet metal, made in Italy	63-94	11,--
2	293-2	plain type plate for chassis number, sheet metal	63-94	14,60
3	293-3	plain type plate for chassis number, sheet metal	ab 90	12,50
4	293-4	type plate, sheet metal, round rear end 1300 / 1600 / 1750	66-69	14,60
5	293-5	label for bonnet , oil species - viscosity // 105	66-94	10,--
5A	293-5A	label for bonnet, oil species - viscosity // 115		10,--
5B	293-5B	label for bonnet , oil species - viscosity series 4		10,--
6	293-6	label Fispa for housing air cleaner, dual carburettor 128 mm	69-94	8,45
6A	293-6A	label for Fispa air cleaner 2000+2600 // 105 /115		6,50
7	293-7	label original lacquer number = red 501	63-94	4,90
7A	293-7A	label original lacquer number = red 514	63-94	4,90
7B	293-7B	label original lacquer number = rot 130	63-94	4,90
7C	293-7C	sticker with number of original varnish, different colours on request	63-94	7,70
7D	293-7D	label mille miglia 7,3 x 4,7 cm	63-94	10,--
7E	293-7E	label mille miglia 9,2 x 5,8 cm	63-94	9,50
7F	293-7F	label mille miglia 3 x 6,3 cm	63-94	8,--
8	293-8	sticker with Alfa Romeo emblem, 20 mm	63-94	2,50
8A	293-8A	sticker with Alfa Romeo emblem, 46 mm	63-94	3,50
8B	293-8B	sticker with Alfa Romeo emblem, 74 mm	63-94	5,70
8C	293-8C	stitch-on sticker with Alfa emblem, 90 mm	63-94	7,--
8D	293-8D	sticker with Alfa Romeo emblem, 46 mm, black/silver		6,--
9	293-9	enamelled metal Alfa Romeo emblem, 40 mm, slightly domed	63-94	16,50
9A	293-9A	Alfa Romeo emblem gold for ash-tray 32 mm	67-79	15,--
9B	293-9B	Alfa Romeo emblem silver for ash-tray	67-79	15,--
9C	293-9C	Alfa Romeo emblem gold for ash-tray Giulia		14,--
10	293-10	adhesive Italian flag 6x1 cm	63-94	4,--
11	293-11	metal Pininfarina emblem, enamelled, 20 mm	63-94	10,--
12	293-12	Pininfarina emblem, 40 mm, metal for horn button	63-94	15,--
12A	293-12A	Pininfarina sticker, 52 mm	63-94	4,10
13	293-13	shamrock sticker, on white triangle ca. 14,5 cm	63-94	15,--
13A	293-13A	shamrock sticker, red, green, white or yellow, 10,8x10,8 cm	63-94	5,20
13B	293-13B	shamrock alloy (to be plugged), C- pillar	63-94	15,--
14	293-14	Alfa Romeo snake, sticker green, 5,7 cm	63-94	5,--
14A	293-14A	Alfa Romeo snake, sticker, red, black, yellow or green, 11,8 cm	63-94	9,50
15	293-15	adhesive label: Type 115.38		9,50
15A	293-15A	adhesive label: Type 115.35, Alfa 1600	74-81	9,50
16	293-16	adhesive label: Original spares	63-94	6,--
17	293-17	"Magnetti Marelli" adhesive label white, 10x5,2 cm		5,--
18	293-18	"Attention" adhesive label		8,--
19	293-19	label for radiator cap		4,90



<u>Abb.</u>	<u>Item-nr.</u>	<u>Description</u>	<u>Year</u>	<u>Price</u> €
1A	294-1A	manifold (fan-shape), 60 mm without ABE, Spider GT, GTA, Giulia	63-89	390,--
1B	294-1B	exhaust double pot, GTA	64-69	315,--
1C	294-1C	black fan manifold 63-89 Spider, GT, Giulia	63-89	499,--
1D	294-1D	sportive exhaust pot end, GTA	64-69	130,--
3	294-3	sportive exhaust-pipe end, Spider	83-94	79,--
4	294-4	sportive exhaust-pipe end, GT Bertone, Giulia	63-77	79,--
4A	294-4A	sportive exhaust-pipe end, Spider	66-82	79,--
4B	294-4B	sportive exhaust-pipe end, GTA 1300 / 1600, 60	64-69	85,--
4C	294-4C	end piece, stainless steel, with mounting parts	63-94	25,--
5A	294-5A	vehicle height-adjustment set Eibach, 40mm Spider Bertone	66-87	259,--
5B	294-5B	vehicle height-adjustment set, 40 mm, Eibach, Giulia, Spider	87-94	259,--
6	294-6	sportive shock absorber, (4 units) Koni red Spider, Gt, Giulia	63-94	439,--
7	294-7	red front shock absorber, adjustable, Koni red	66-94	119,--
7A	294-7A	shock absorber, gas pressure, Bilstein front	63-94	120,--
7A1	294-7A1	shock absorber, gas pressure, Bilstein rear	63-94	120,--
7B	294-7B	red rear shock absorber, adjustable, Koni red	66-94	119,--
8	294-8	set (2 units) of tread with broadening, 5 mm per wheel	63-94	55,--
9	294-9	set (2 units) of tread with broadening, 10 mm per wheel	63-94	79,--
10	294-10	set (2 units) of tread with broadening, 30 mm per wheel	63-94	175,--
11	294-11	set (2 units) of tread with broadening, 20 mm per wheel	63-94	175,--
12	294-12	oil pan protection zinc plate	63-94	99,--
13	294-13	anti-roll bar in front Eibach (27 mm)		269,--



<u>Abb.</u>	<u>item-nr.</u>	<u>Description</u>	<u>Year</u>	<u>Price</u> €
	1	dash board GFK, GTA	64-69	589,--
	2	engine bonnet plastics, Bertone 2. series	70-77	890,--
	2A	engine bonnet plastics, Bertone 1.series	64-69	920,--
	2B	rear flap plastics, Bertone without emblem seating	64-77	495,--
	3	set (4 units) of tread with broadening	67-77	695,--
	3A	set (4 units) of tread with broadening GTA (Gruppo 2)	63-77	695,--
	4	windscreen GT with 50% lighter, green wedge	64-77	465,--
	5	Alfa Romeo writing for front or rear window, all models	64-77	25,--
	5A	Alfa Romeo writing for front or rear window, all models	64-77	25,--
	6	set of sportive camshaft Colombo-Bariani 1300-2,0/ 11,4 hub/300°	63-89	595,--
	6A	set of sportive camshaft Colombo-Bariani 1300-2,0/ 10,9 hub/280°	63-89	550,--
	6B	set of sportive camshaft Colombo-Bariani 1300-2,0/ 12 hub/292°	63-89	550,--
	7	set pistons and cylinder sleeves, Alfetta motronic	63-89	650,--
	8	set of sportive air filter chromed K&N 40 / 45 Ø	63-89	245,--
	9	set of sportive-sprint-filter 40 / 45 Ø opening	63-89	220,--
	10	set of sportive brake disc, punched in front 1300/1600, 267 mm	67-86	231,--
	11	set of sportive brake disc, punched in front 1600/2000, 272 mm	67-94	231,--
	12	set of sportive brake disc, punched, rear	67-94	231,--
	13	upper bearing arm left, adjustable	63-94	139,--
	13A	upper bearing arm right, adjustable	63-94	139,--
	14	cylinder-head gasket 1300, Spesso Racing	63-94	149,--
	14A	cylinder-head gasket 1600, Spesso Racing	63-94	149,--
	14B	cylinder-head gasket 2000, Spesso Racing	63-94	149,--
	15	set of front chock blocks 1300/1600 Ferodo Racing DS 2500		95,--
	16	set of front chock blocks 1750/2000 Ferodo Racing DS 2500		85,--

Our spare part brands:

Ferodo
Koni
Marelli
Pirelli
ATE
Lemförder

Bosch
Reinz
Bilstein
Dunlop
Behr

Bendix
Ipra
Spesso
Carello
K&N

And of course many

original Alfa Romeo spare parts



Del Priore

Zum Roden 5
Tel.: 0049 5132/82 50 60
www.del-priore.com

D - 31275 Aligse
Fax: 0049 5132/82 50 70
info@del-priore.com